

Infrared premium rimless back to wall Doc M toilet pack



Product details

Warranty:	See individual products
Max rated load:	See individual products
Doc M compliant:	Yes
Suitable for wet areas:	Yes

Features

- Premium rimless design
- Hygienic touch-free operation
- Complies with Part M of the Building Regulations
- Tap, flush valve and inlet valve Reg 4 Certified (WRAS, NSF, Kiwa, etc.)
- Concealed fixing stainless steel grab rails and hinged rail
- Simple one box solution

Finish options



White
RAL 9016



Dark blue
RAL 5011



Dark grey
RAL 7016



Grey
RAL 7005



Satin
Stainless Steel



Polished
Stainless Steel

Product description

Infrared premium rimless back to wall Doc M toilet pack, left handed
Infrared premium rimless back to wall Doc M toilet pack, right handed

Product code

NY02-DM-33111-**
NY02-DM-33112-**

Replace ** with finish option code above e.g., NY02-DM-33111-DB

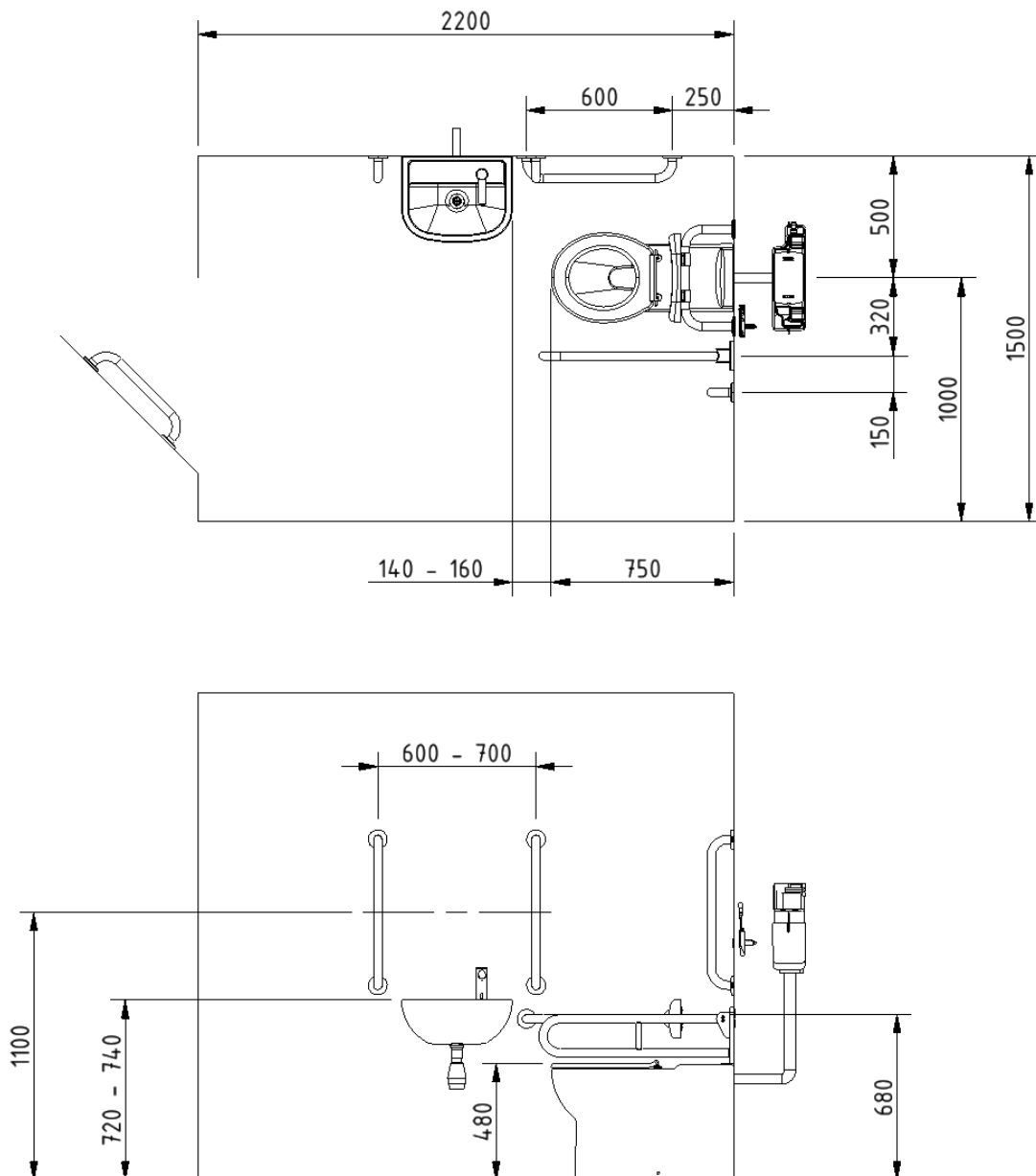
Disclaimer

NYMAS Group makes every effort to ensure that the information provided on this data sheet is correct. However, we cannot guarantee this, and accept no liability for any information or advice given on this data sheet.

Pack contents

- 4 x 600mm stainless steel grab rails with concealed fixings
- 1 x 450mm stainless steel grab rail with concealed fixings
- 1 x 800mm stainless steel hinged support rail with concealed fixings
- 1 x 270mm stainless steel back rest rail and pad with concealed fixing
- 1 x Back to wall premium rimless Doc M pan
- 1 x Infrared concealed cistern with fittings, flush pipe, and mains powered sensor
- 1 x Ring only toilet seat
- 1 x Left or right handed 1 tap hole basin
- 1 x Contemporary mains powered infrared tap
- 1 x TMV3 Valve
- 1 x Basin waste

Dimensions (mm)



Premium rimless back to wall Doc M pan



Product details

Warranty:	Lifetime
Max rated load:	400 kg
Doc M compliant:	Yes
Suitable for wet areas:	Yes

Features

- Rimless design for ease of cleaning
- Extended projection to aid compliance with Part M of the Building Regulations
- UKCA and CE compliant
- Comfort height to allow easier side transfer from wheelchair

Finish options



White
RAL 9016

Product description

Premium rimless back to wall Doc M pan

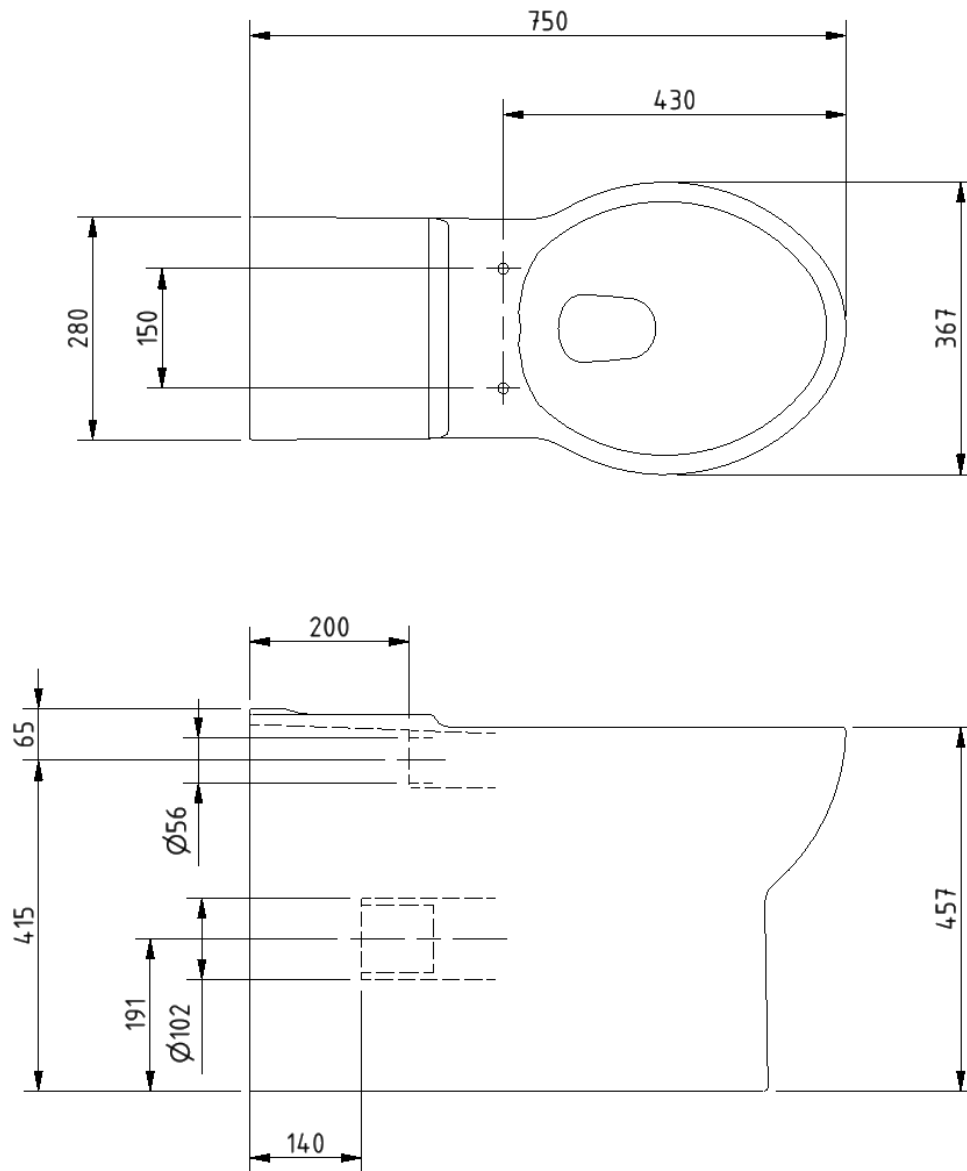
Product code

NY02-SW-33000-WH

Disclaimer

NYMAS Group makes every effort to ensure that the information provided on this data sheet is correct. However, we cannot guarantee this, and accept no liability for any information or advice given on this data sheet.

Dimensions (mm)



Infrared concealed cistern and fittings



Product details

Warranty:	5 years
Max rated load:	n/a
Doc M compliant:	Yes
Suitable for wet areas:	Yes

Features

- Flush valve and inlet valve Reg 4 Certified (WRAS, NSF, Kiwa, etc.)
- Supplied assembled for quick and easy installation
- Discreet Ø40mm IR sensor
- Sensor can be installed up to 250mm from cistern
- LED flush indication
- Front and top access panels
- Internal overflow warning
- Supports BREEAM.
- 6 litre mono flush
- Side inlet

Finish options



Polished
chrome



Satin
Stainless Steel



Matt black
RAL 9005

Product description

Infrared concealed cistern, with fittings and sensor, mains powered, polished chrome

Infrared concealed cistern, with fittings and sensor, mains powered, satin

Infrared concealed cistern, with fittings and sensor, mains powered, matt black (RAL 9005)

Product code

NY03-CISTIR01-CP

NY03-CISTIR01-SS

NY03-CISTIR01-MB

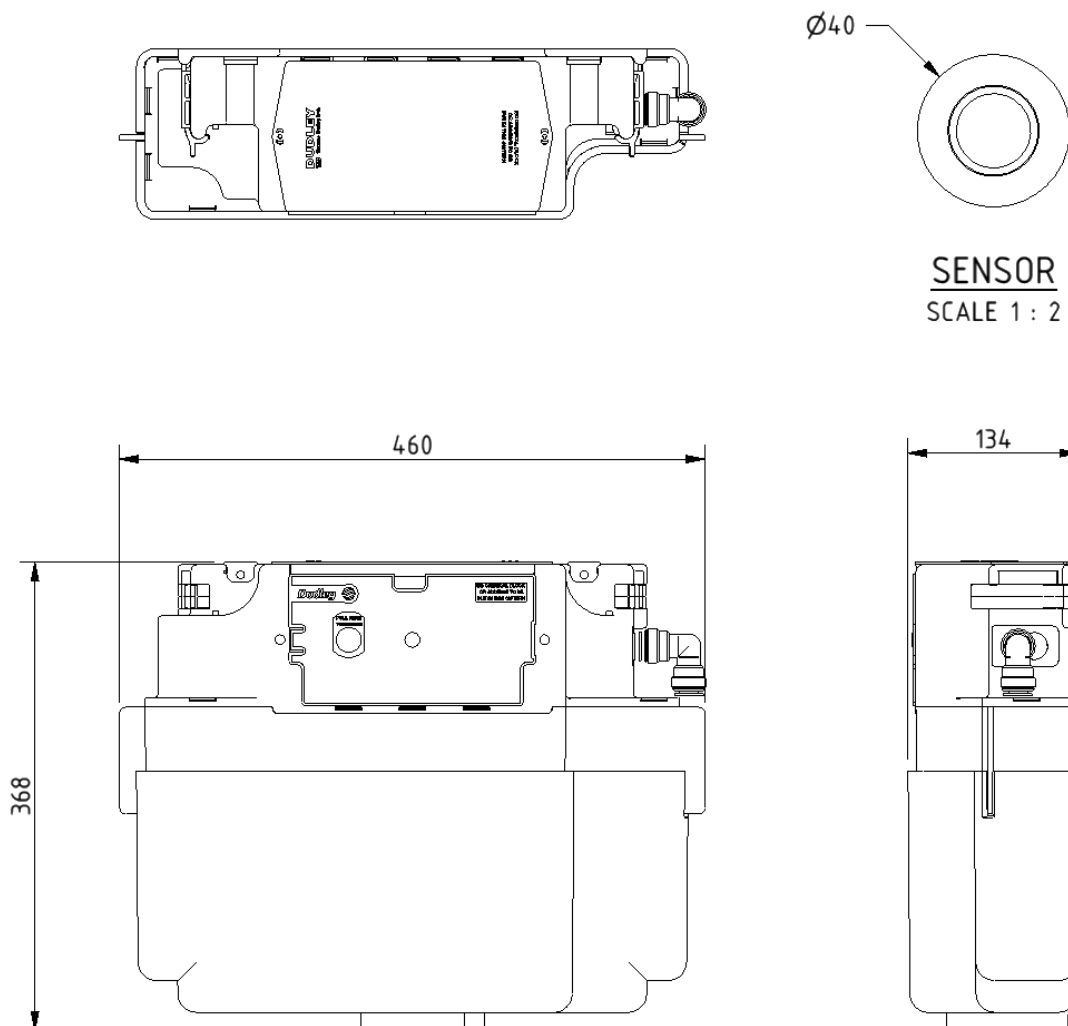
Disclaimer

NYMAS Group makes every effort to ensure that the information provided on this data sheet is correct. However, we cannot guarantee this, and accept no liability for any information or advice given on this data sheet.

Specification

Operating voltage:	6V DC
Mains supply:	230V AC 50Hz
Sensor cable length:	400mm
Sensor activation range:	Up to 50mm
Ingress protection:	IP44
Maximum wall thickness:	Up to 45mm

Dimensions (mm)



Toilet seat, ring only, stainless steel pillar hinge



Product details

Warranty:	2 years
Max rated load:	150 kg
Doc M compliant:	Yes
Suitable for wet areas:	Yes

Features

- Complies with Part M of the Building Regulations
- Anti-bacterial, strong and durable Duroplast seat
- Ergonomic and comfortable shape
- Stainless steel hinge (bottom fix as standard)
Additional hinge pack to convert to top fix: NY-TOPFIXHINGE
- Adjustable locating buffers
- Fits close coupled, low level, back to wall and wall hung pans

Finish options



White
RAL 9016



Dark blue
RAL 5011



Dark grey
RAL 7016



Grey
RAL 7005

Product description

Toilet seat, ring only, stainless steel pillar hinge, dark blue (RAL 5011)
Toilet seat, ring only, stainless steel pillar hinge, dark grey (RAL 7016)
Toilet seat, ring only, stainless steel pillar hinge, grey (RAL 7005)
Toilet seat, ring only, stainless steel pillar hinge, white (RAL 9016)

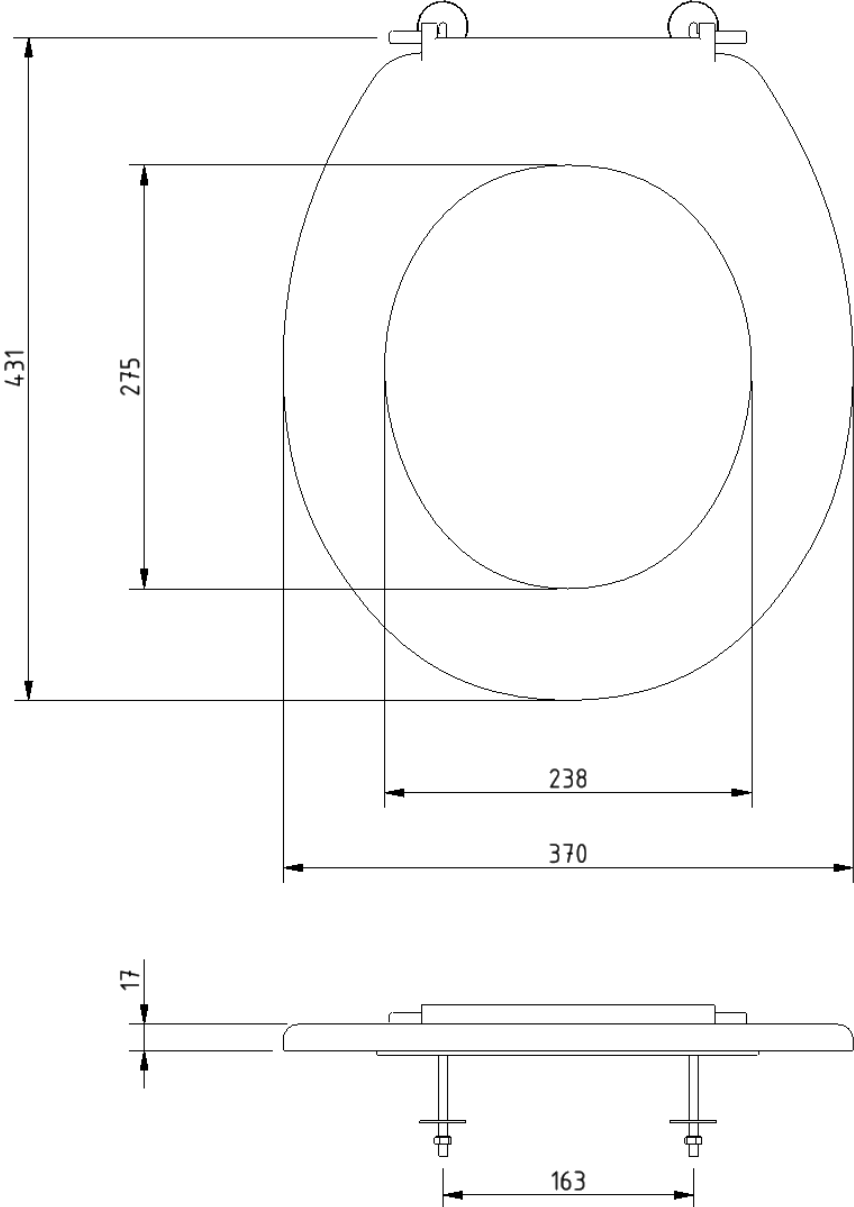
Product code

260015/DB
260015/DG
260015/GY
260015/WH

Disclaimer

NYMAS Group makes every effort to ensure that the information provided on this data sheet is correct. However, we cannot guarantee this, and accept no liability for any information or advice given on this data sheet.

Dimensions (mm)



Top fix toilet seat hinge



Product details

Warranty:	2 years
Max rated load:	n/a
Doc M compliant:	n/a
Suitable for wet areas:	Yes

Features

- Toilet seat hinge for use with premium rimless sanitary ware

Finish options

Not applicable

Product description

Top fix toilet seat hinge

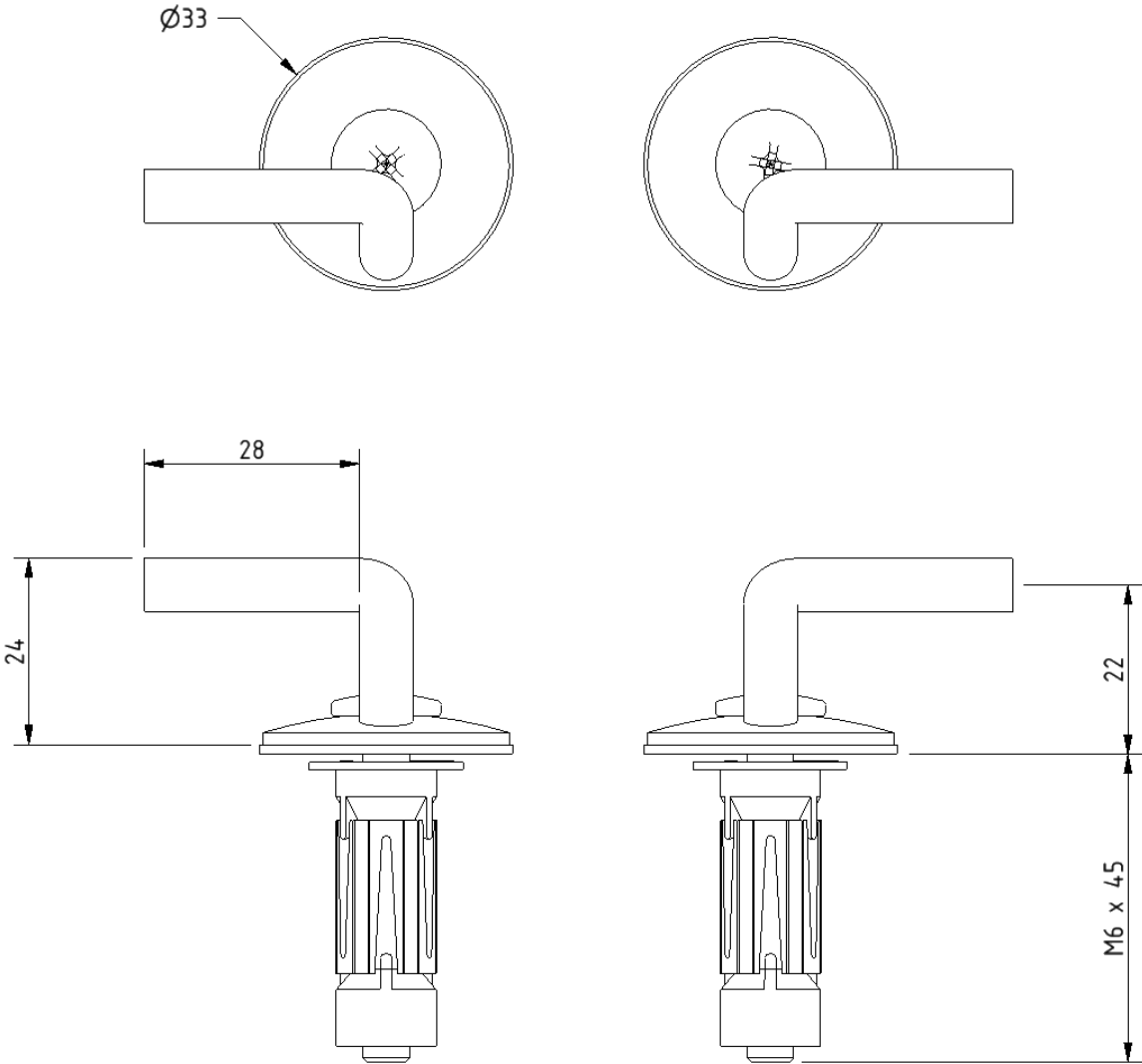
Product code

NY-TOPFIXHINGE

Disclaimer

NYMAS Group makes every effort to ensure that the information provided on this data sheet is correct. However, we cannot guarantee this, and accept no liability for any information or advice given on this data sheet.

Dimensions (mm)



Plastic flush pipe



Product details

Warranty:	2 years
Max rated load:	n/a
Doc M compliant:	Yes
Suitable for wet areas:	Yes

Features

- Manufactured from one piece, rigid white PVC, it has high strength and rigidity, allowing for a good seal to be made at either end, and maintaining a full flush.
- With its standard size being 18" x 18" this allows the installer to cut the pipe horizontally or vertically to size, allowing greater flexibility in cistern height installation, and wall to pan distance.

Finish options

WH

White
RAL 9016

Product description

Flush pipe, 457mm x 457mm x 50mm to 41mm, white

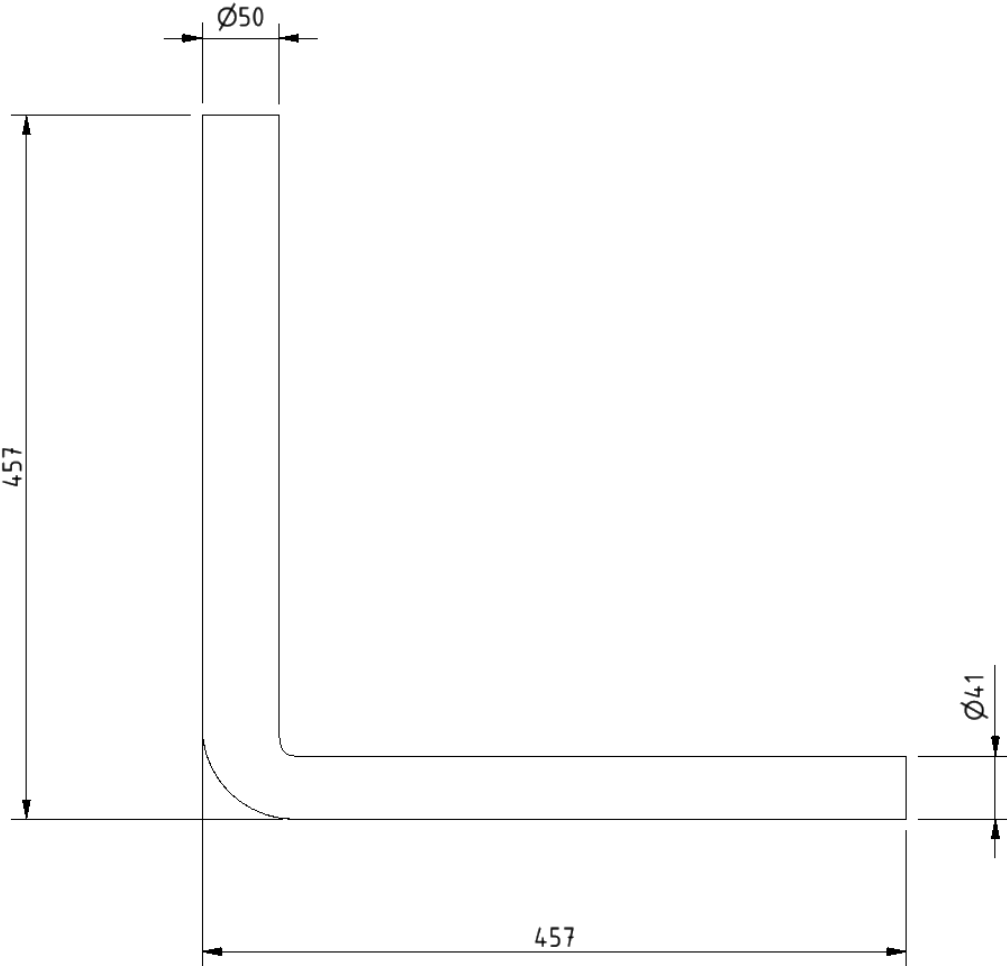
Product code

FLUSHPIPE01

Disclaimer

NYMAS Group makes every effort to ensure that the information provided on this data sheet is correct. However, we cannot guarantee this, and accept no liability for any information or advice given on this data sheet.

Dimensions (mm)



Premium Doc M basin



Product details

Warranty:	Lifetime
Max rated load:	n/a
Doc M compliant:	Yes
Suitable for wet areas:	Yes

Features

- Multiple tap hole configurations available removing the need for blanking caps
- Complies with Part M of the Building Regulations
- No overflow

Does NOT come with wall fixings (P-000247-X00X)

Finish options

WH

White
RAL 9016

Product description

- Premium Doc M basin, two tap holes, no overflow, white
- Premium Doc M basin, left handed tap hole, no overflow, white
- Premium Doc M basin, right handed tap hole, no overflow, white
- Premium Doc M basin, central tap hole, no overflow, white

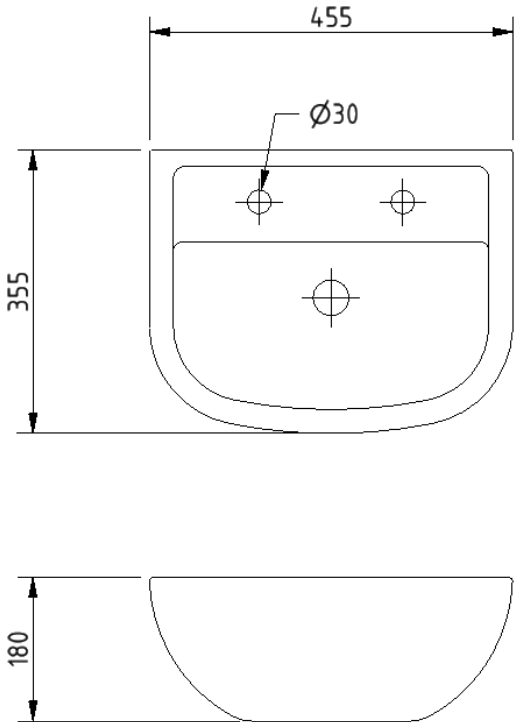
Product code

- NY02-SW-00100-WH
- NY02-SW-00101-WH
- NY02-SW-00102-WH
- NY02-SW-00103-WH

Disclaimer

NYMAS Group makes every effort to ensure that the information provided on this data sheet is correct. However, we cannot guarantee this, and accept no liability for any information or advice given on this data sheet.

Dimensions (mm)



FOR TAP HOLE POSITION DIMENSIONS SEE PRODUCT SPECIFIC MARKETING DRAWING

Contemporary mains powered infrared tap



Product details

Warranty:	5 years
Max rated load:	n/a
Doc M compliant:	Yes
Suitable for wet areas:	Yes

Features

- Complies with Part M of the Building Regulations
- Reg 4 Certified (WRAS, NSF, Kiwa, etc.)
- Must be installed with a thermostatic mixing valve for premixed water (part code: BPLTMV)
- Hygienic touch-free operation
- Shuts off when hand is removed from in front of the sensor
- Water delivery automatically stops after 90 seconds (can be adjusted)

Finish options



Polished
chrome



Satin
Stainless Steel



Matt black
RAL 9005

Product description

Contemporary infrared tap, with fittings, mains powered, polished chrome
 Contemporary infrared tap, with fittings, mains powered, satin stainless steel
 Contemporary infrared tap, with fittings, mains powered, matt black (RAL 9005)

Product code

NY03-TAPIR01-CP
 NY03-TAPIR01-SS
 NY03-TAPIR01-MB

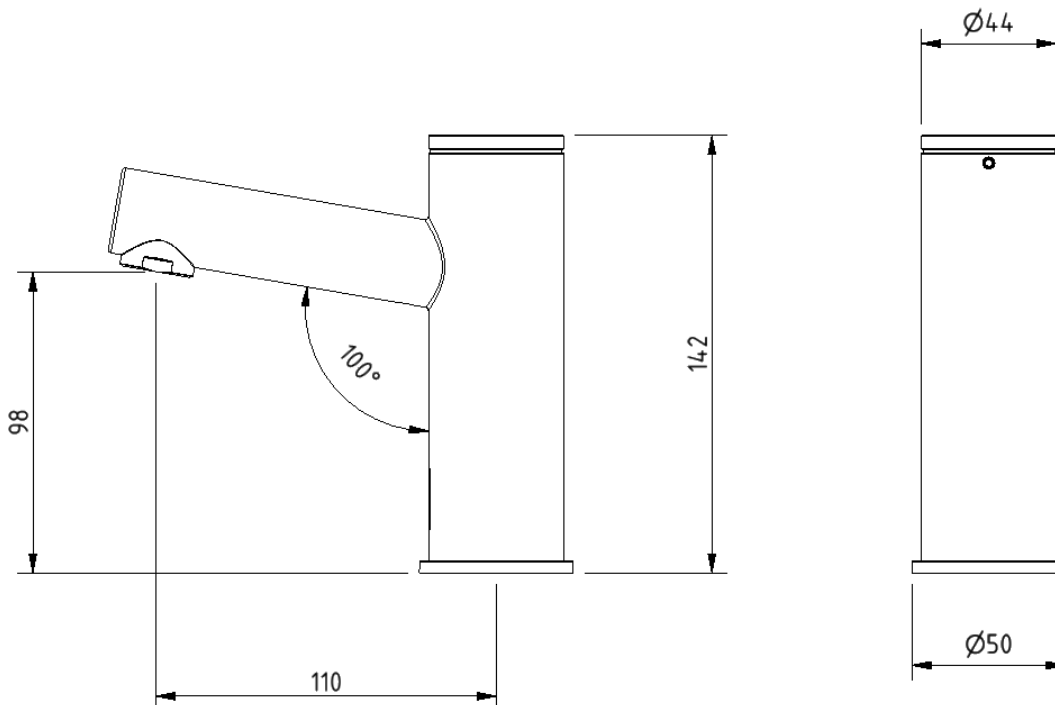
Disclaimer

NYMAS Group makes every effort to ensure that the information provided on this data sheet is correct. However, we cannot guarantee this, and accept no liability for any information or advice given on this data sheet.

Specification

Operating voltage:	9V DC
Mains supply:	230V AC 50Hz
Maximum dynamic pressure:	0.5 bar MIN, 8 bar MAX
Maximum hot water supply temperature:	70 degrees Celsius
Sensor range:	80 - 300mm (220mm preset)
Connection:	½" BSP
Flow rate:	6 litre per minute

Dimensions (mm)



Basin waste with stainless steel grid, no plug



Product details

Warranty: 2years

Max rated load: n/a

Doc M compliant: n/a

Suitable for wet areas: Yes

Features

- Quick and simple installation
- Manufactured from high quality materials
- Stainless steel grid
- Plastic Body

Finish options

Not applicable

Product description

Basin waste with stainless steel grid, no plug

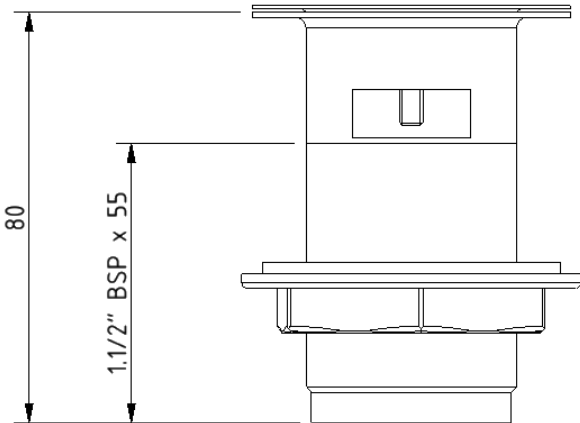
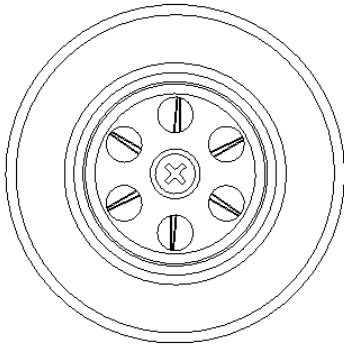
Product code

P-000241-X00X

Disclaimer

NYMAS Group makes every effort to ensure that the information provided on this data sheet is correct. However, we cannot guarantee this, and accept no liability for any information or advice given on this data sheet.

Dimensions (mm)



Stainless steel grab rail with concealed fixings, 35mm diameter tube



Product details

Warranty:	5 years
Max rated load:	185 kg
Doc M compliant:	Yes
Suitable for wet areas:	Yes

Features

- Non-corrosive stainless steel construction
- Durable powder coated finish
- Concealed fixing
- Non-standard colour options available

Finish options



White
RAL 9016



Dark blue
RAL 5011



Dark grey
RAL 7016



Grey
RAL 7005

Product description

Grab rail, stainless steel, concealed fixings, 35mm diameter, 300mm
Grab rail, stainless steel, concealed fixings, 35mm diameter, 450mm
Grab rail, stainless steel, concealed fixings, 35mm diameter, 600mm
Grab rail, stainless steel, concealed fixings, 35mm diameter, 900mm

Product code

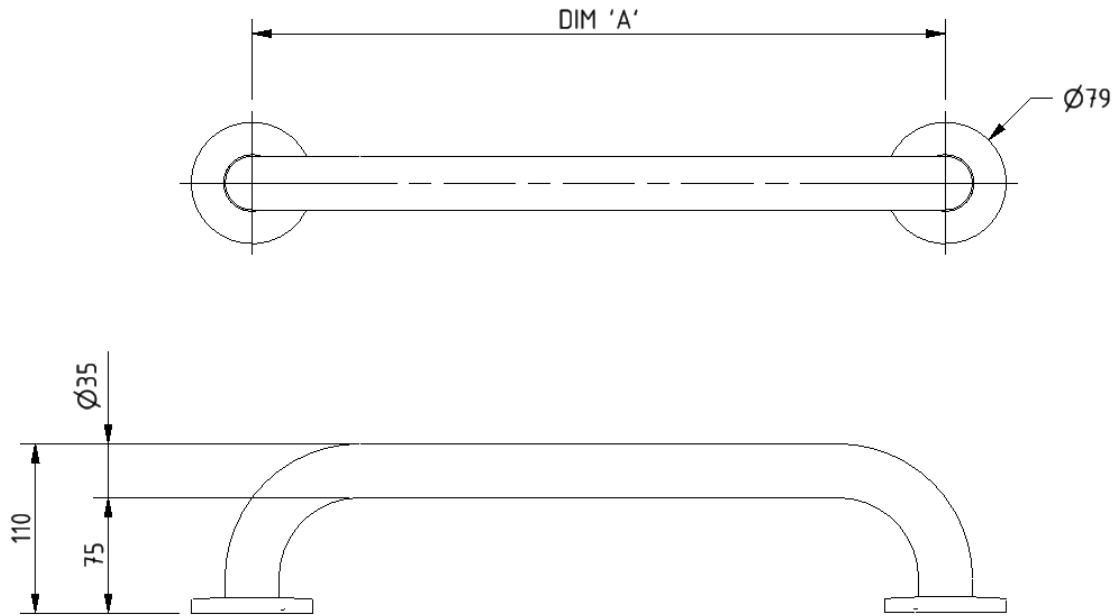
210130/**
210145/**
210160/**
210190/**

Replace ** with finish option code above e.g., 210160/DB

Disclaimer

NYMAS Group makes every effort to ensure that the information provided on this data sheet is correct. However, we cannot guarantee this, and accept no liability for any information or advice given on this data sheet.

Dimensions (mm)



PRODUCT CODE	210130/**	210145/**	210160/**	210190/**
DIM 'A'	300	450	600	900

Stainless steel friction hinged support rail with concealed fixing, 800mm



Product details

Warranty:	5 years
Max rated load:	120 kg
Doc M compliant:	Yes
Suitable for wet areas:	Yes

Features

- Complies with Part M of the Building Regulations
- Premium friction folding mechanism
- Non-corrosive stainless steel construction
- Concealed wall fixings

Finish options



White
RAL 9016



Dark blue
RAL 5011



Dark grey
RAL 7016



Grey
RAL 7005



Satin
Stainless Steel



Polished
Stainless Steel

Product description

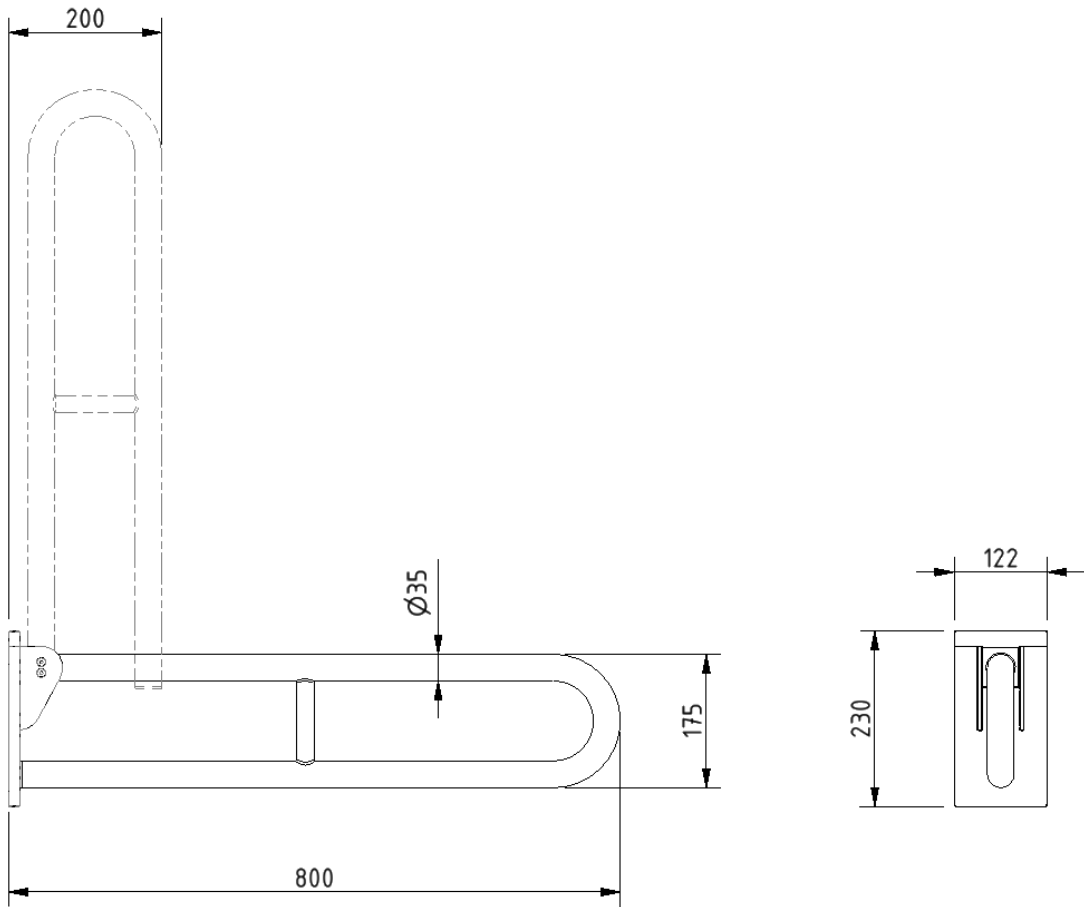
Product code

Friction hinged rail, stainless steel, concealed fixing, 800mm, white (RAL 9016)	105SC/WH
Friction hinged rail, stainless steel, concealed fixing, 800mm, dark blue (RAL 5011)	105SC/DB
Friction hinged rail, stainless steel, concealed fixing, 800mm, dark grey (RAL 7016)	105SC/DG
Friction hinged rail, stainless steel, concealed fixing, 800mm, grey (RAL 7005)	105SC/GY
Friction hinged rail, stainless steel, concealed fixing, 800mm, polished	105SC/SP
Friction hinged rail, stainless steel, concealed fixing, 800mm, satin	105SC/SS

Disclaimer

NYMAS Group makes every effort to ensure that the information provided on this data sheet is correct. However, we cannot guarantee this, and accept no liability for any information or advice given on this data sheet.

Dimensions (mm)



Stainless steel back rest rail with concealed fixings and white pad



Product details

Warranty:	5 years
Max rated load:	n/a
Doc M compliant:	Yes
Suitable for wet areas:	Yes

Features

- Complies with Part M of the Building Regulations
- Non-corrosive stainless steel construction
- Durable wipe clean polyurethane pad
- Closed cell polyurethane construction for maximum hygiene and comfort
- Saddle clips for fixing pad to rail

Finish options



WH

White
RAL 9016



DB

Dark blue
RAL 5011



DG

Dark grey
RAL 7016



GY

Grey
RAL 7005



SS

Satin
Stainless Steel



SP

Polished
Stainless Steel

Product description

Back rest rail with white pad, stainless steel, 220mm projection, concealed fixings

Back rest rail with white pad, stainless steel, 270mm projection, concealed fixings

Product code

BR-220SC/**

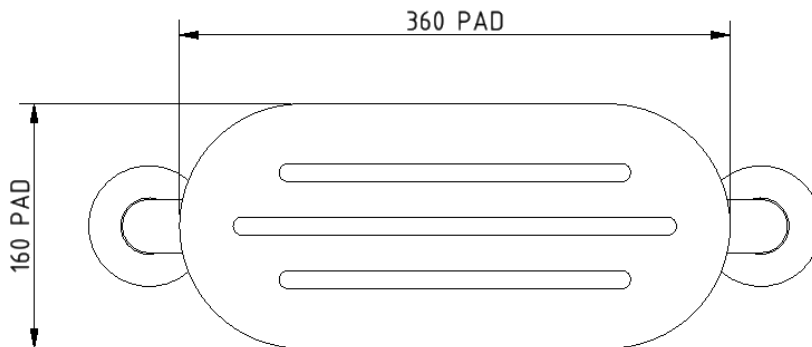
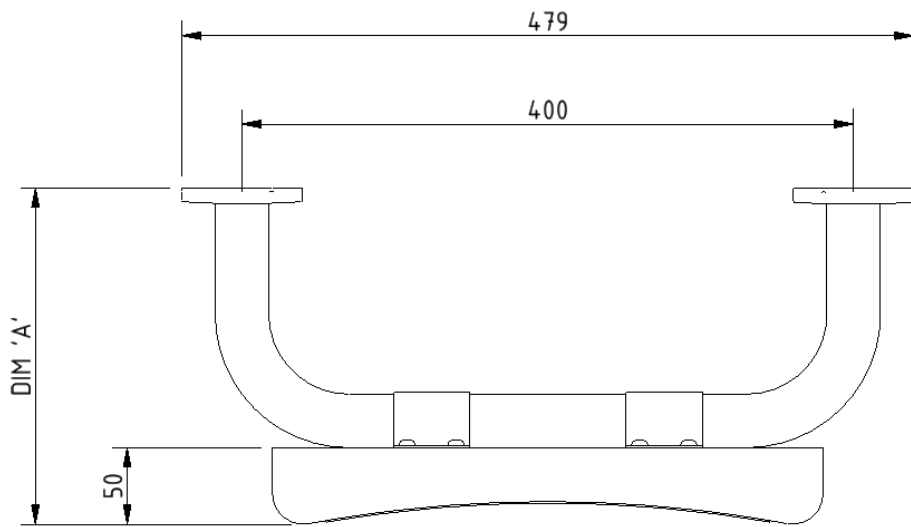
BR-270SC/**

Replace ** with finish option code above e.g., BR-220SC/DB

Disclaimer

NYMAS Group makes every effort to ensure that the information provided on this data sheet is correct. However, we cannot guarantee this, and accept no liability for any information or advice given on this data sheet.

Dimensions (mm)



PRODUCT CODE	BR-220SC/**	BR-270SC/**
DIM 'A'	220	270

TMV3 inline thermostatic mixing valve



Product details

Warranty:	2 years
Max rated load:	n/a
Doc M compliant:	Yes
Suitable for wet areas:	Yes

Features

- TMV3 approved & Reg 4 Certified (WRAS, NSF, Kiwa, etc.)
- Complies with Part M of the Building Regulations
- Building Regulations Part G compliant
- Highly resistant to scaling
- Anti-tamper proof head

Finish options



CP
Polished
chrome

Product description

TMV3 inline thermostatic mixing valve - 15mm

Product code

BPLTMV

Disclaimer

NYMAS Group makes every effort to ensure that the information provided on this data sheet is correct. However, we cannot guarantee this, and accept no liability for any information or advice given on this data sheet.

Dimensions (mm)

