

## Infrared premium rimless luxury back to wall Doc M toilet pack



### Product details

<b>Warranty:</b>	See individual products
<b>Max rated load:</b>	See individual products
<b>Doc M compliant:</b>	Yes
<b>Suitable for wet areas:</b>	Yes

### Features

- Premium rimless design
- Hygienic touch-free operation
- Complies with Part M of the Building Regulations
- Tap, flush valve and inlet valve Reg 4 Certified (WRAS, NSF, Kiwa, etc.)
- Concealed fixing stainless steel grab rails and hinged rail
- Simple one box solution

### Finish options



Satin  
Stainless Steel



Polished  
Stainless Steel



Matt black  
RAL 9005

### Product description

Infrared premium rimless luxury back to wall Doc M toilet pack, left handed, satin
Infrared premium rimless luxury back to wall Doc M toilet pack, left handed, polished
Infrared premium rimless luxury back to wall Doc M toilet pack, left handed, matt black (RAL 9005)
Infrared premium rimless luxury back to wall Doc M toilet pack, right handed, satin
Infrared premium rimless luxury back to wall Doc M toilet pack, right handed, polished
Infrared premium rimless luxury back to wall Doc M toilet pack, right handed, matt black (RAL 9005)

### Product code

NY03-DM-33111-SS
NY03-DM-33111-SP
NY03-DM-33111-MB
NY03-DM-33112-SS
NY03-DM-33112-SP
NY03-DM-33112-MB

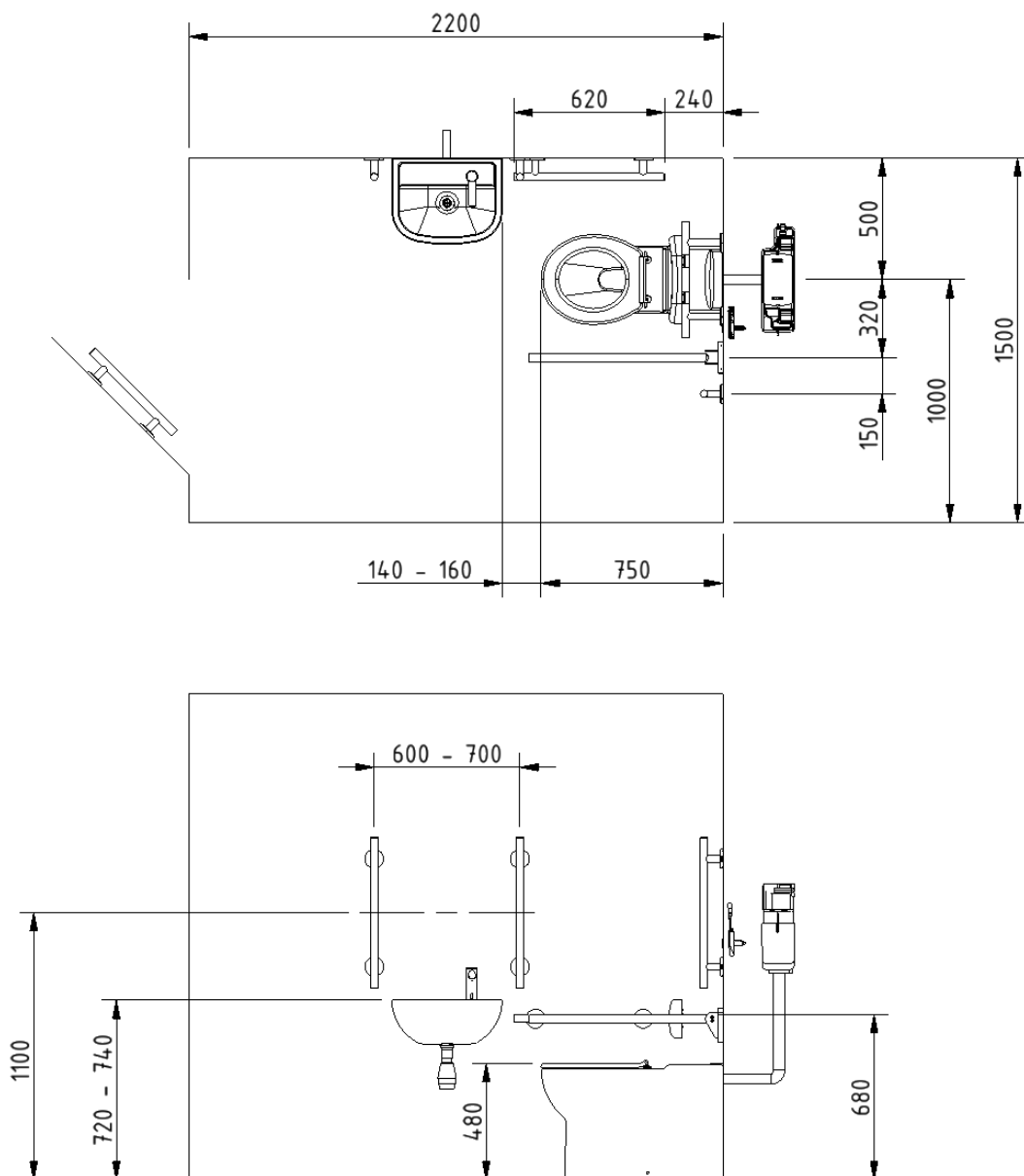
### Disclaimer

NYMAS Group makes every effort to ensure that the information provided on this data sheet is correct. However, we cannot guarantee this, and accept no liability for any information or advice given on this data sheet.

## Pack contents

- 4 x 620mm stainless steel luxury grab rails with concealed fixings
- 1 x 480mm stainless steel luxury grab rail with concealed fixings
- 1 x 800mm stainless steel contemporary hinged support rail with concealed fixings
- 1 x 220mm stainless steel luxury back rest rail and pad with concealed fixings
- 1 x Back to wall premium rimless Doc M pan
- 1 x Infrared concealed cistern with fittings, flush pipe, and mains powered sensor
- 1 x Ring only toilet seat
- 1 x Left or right handed 1 tap hole basin
- 1 x Contemporary mains powered infrared tap
- 1 x TMV3 Valve
- 1 x Basin waste

## Dimensions (mm)



## Premium rimless back to wall Doc M pan



### Product details

<b>Warranty:</b>	Lifetime
<b>Max rated load:</b>	400 kg
<b>Doc M compliant:</b>	Yes
<b>Suitable for wet areas:</b>	Yes

### Features

- Rimless design for ease of cleaning
- Extended projection to aid compliance with Part M of the Building Regulations
- UKCA and CE compliant
- Comfort height to allow easier side transfer from wheelchair

## Finish options



White  
RAL 9016

## Product description

Premium rimless back to wall Doc M pan

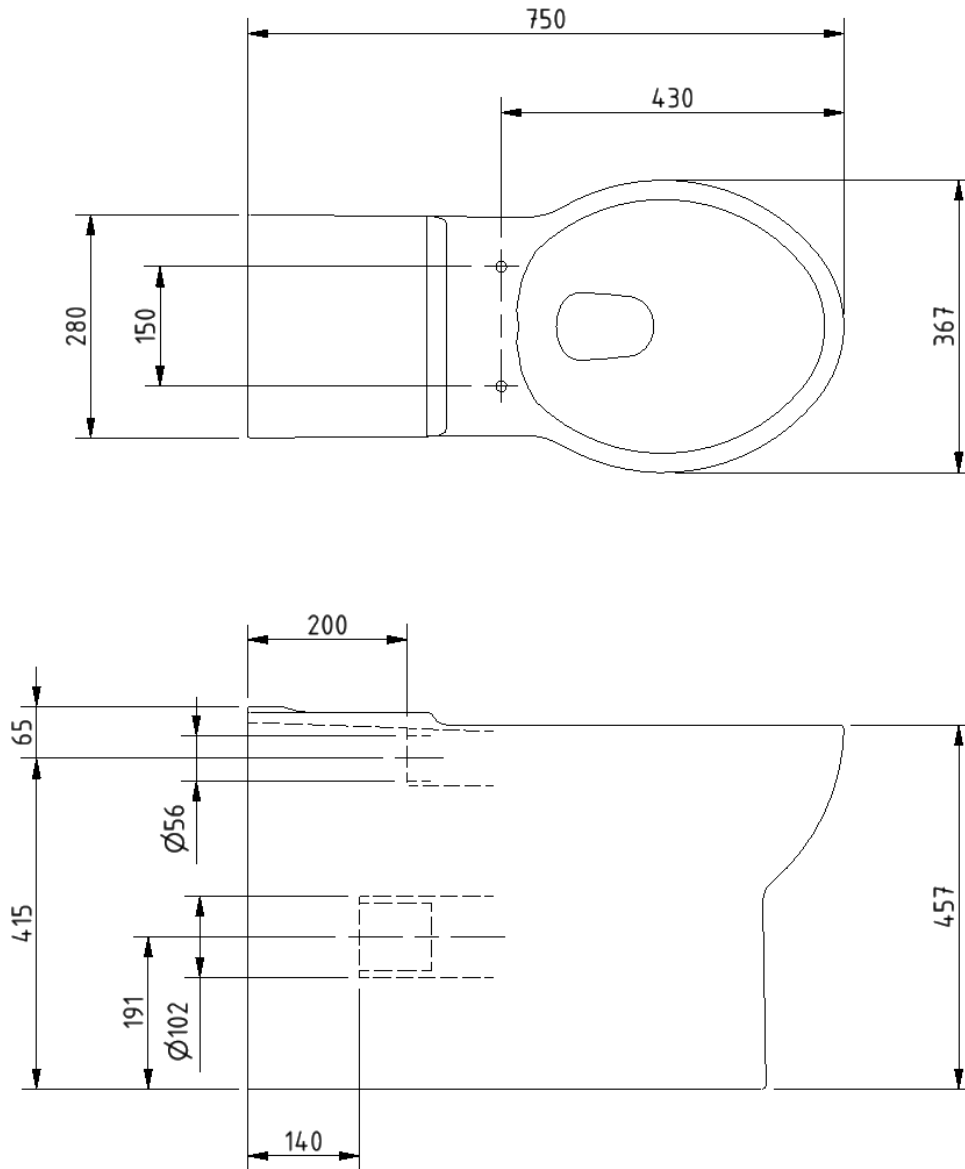
## Product code

NY02-SW-33000-WH

## Disclaimer

NYMAS Group makes every effort to ensure that the information provided on this data sheet is correct. However, we cannot guarantee this, and accept no liability for any information or advice given on this data sheet.

## Dimensions (mm)



## Infrared concealed cistern and fittings



### Product details

<b>Warranty:</b>	5 years
<b>Max rated load:</b>	n/a
<b>Doc M compliant:</b>	Yes
<b>Suitable for wet areas:</b>	Yes

### Features

- Flush valve and inlet valve Reg 4 Certified (WRAS, NSF, Kiwa, etc.)
- Supplied assembled for quick and easy installation
- Discreet Ø40mm IR sensor
- Sensor can be installed up to 250mm from cistern
- LED flush indication
- Front and top access panels
- Internal overflow warning
- Supports BREEAM.
- 6 litre mono flush
- Side inlet

### Finish options



Polished  
chrome



Satin  
Stainless Steel



Matt black  
RAL 9005

### Product description

Infrared concealed cistern, with fittings and sensor, mains powered, polished chrome

Infrared concealed cistern, with fittings and sensor, mains powered, satin

Infrared concealed cistern, with fittings and sensor, mains powered, matt black (RAL 9005)

### Product code

NY03-CISTIR01-CP

NY03-CISTIR01-SS

NY03-CISTIR01-MB

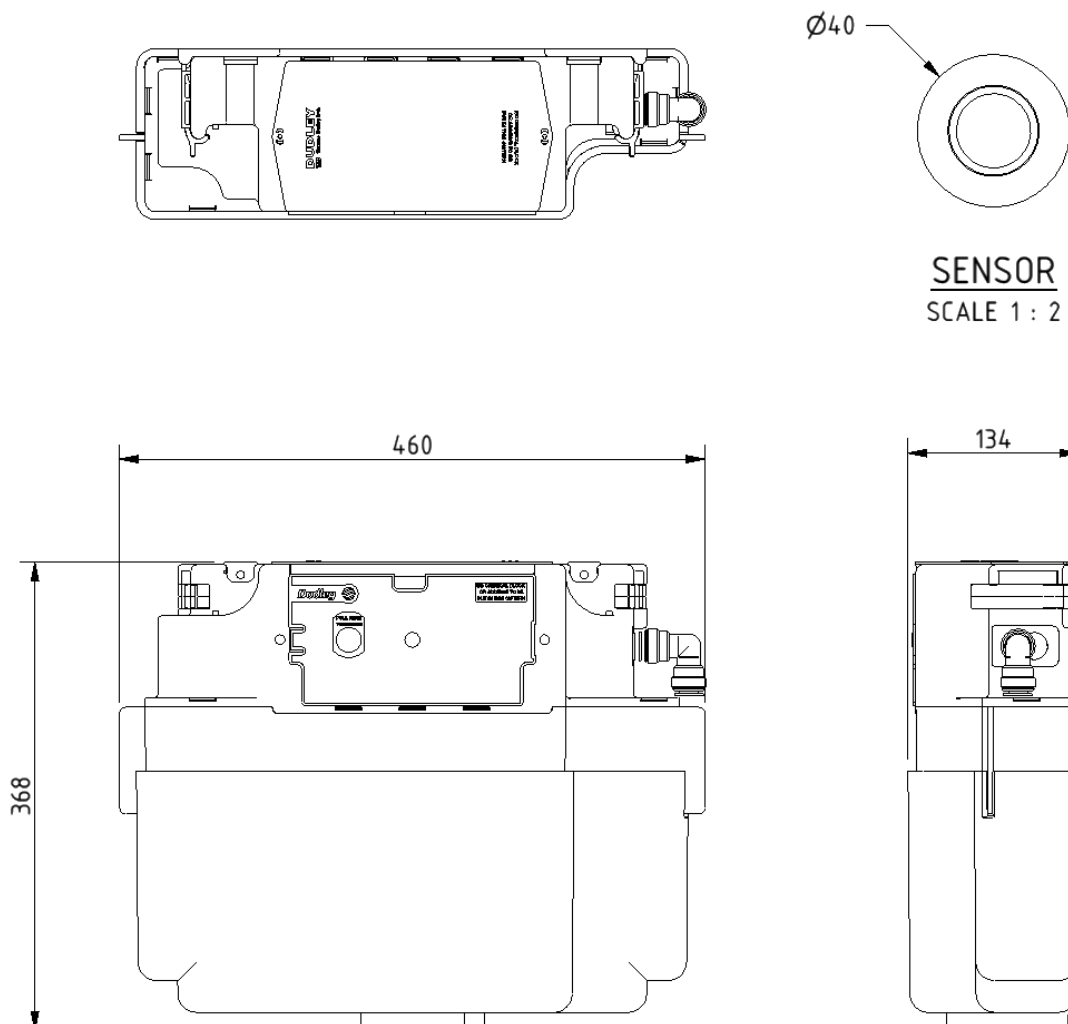
### Disclaimer

NYMAS Group makes every effort to ensure that the information provided on this data sheet is correct. However, we cannot guarantee this, and accept no liability for any information or advice given on this data sheet.

## Specification

Operating voltage:	6V DC
Mains supply:	230V AC 50Hz
Sensor cable length:	400mm
Sensor activation range:	Up to 50mm
Ingress protection:	IP44
Maximum wall thickness:	Up to 45mm

## Dimensions (mm)



## Toilet seat, ring only, stainless steel pillar hinge



### Product details

<b>Warranty:</b>	2 years
<b>Max rated load:</b>	150 kg
<b>Doc M compliant:</b>	Yes
<b>Suitable for wet areas:</b>	Yes

### Features

- Complies with Part M of the Building Regulations
- Anti-bacterial, strong and durable Duroplast seat
- Ergonomic and comfortable shape
- Stainless steel hinge (bottom fix as standard)  
Additional hinge pack to convert to top fix: NY-TOPFIXHINGE
- Adjustable locating buffers
- Fits close coupled, low level, back to wall and wall hung pans

### Finish options



White  
RAL 9016



Dark blue  
RAL 5011



Dark grey  
RAL 7016



Grey  
RAL 7005

### Product description

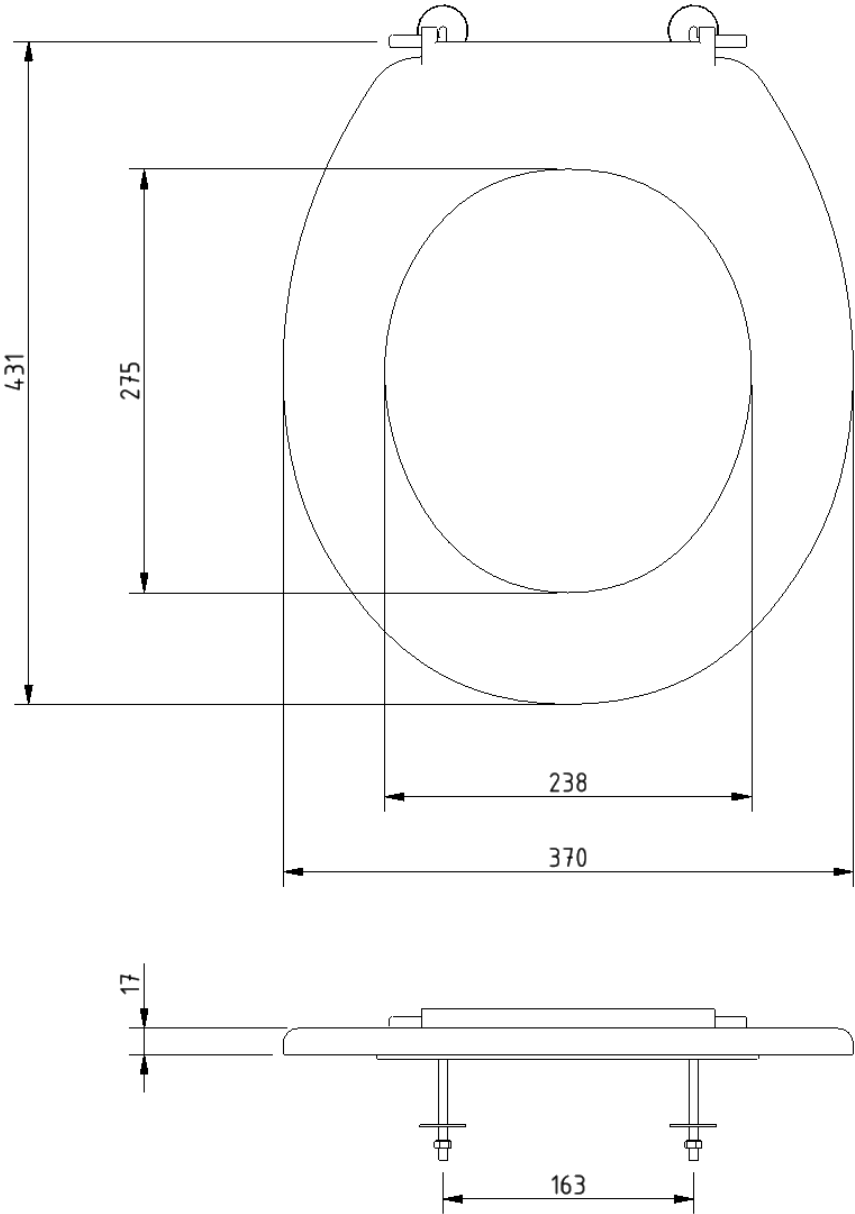
### Product code

Toilet seat, ring only, stainless steel pillar hinge, dark blue (RAL 5011)	260015/DB
Toilet seat, ring only, stainless steel pillar hinge, dark grey (RAL 7016)	260015/DG
Toilet seat, ring only, stainless steel pillar hinge, grey (RAL 7005)	260015/GY
Toilet seat, ring only, stainless steel pillar hinge, white (RAL 9016)	260015/WH

### Disclaimer

NYMAS Group makes every effort to ensure that the information provided on this data sheet is correct. However, we cannot guarantee this, and accept no liability for any information or advice given on this data sheet.

**Dimensions (mm)**





## Top fix toilet seat hinge



### Product details

**Warranty:** 2 years

**Max rated load:** n/a

**Doc M compliant:** n/a

**Suitable for wet areas:** Yes

### Features

- Toilet seat hinge for use with premium rimless sanitary ware

## Finish options

Not applicable

## Product description

Top fix toilet seat hinge

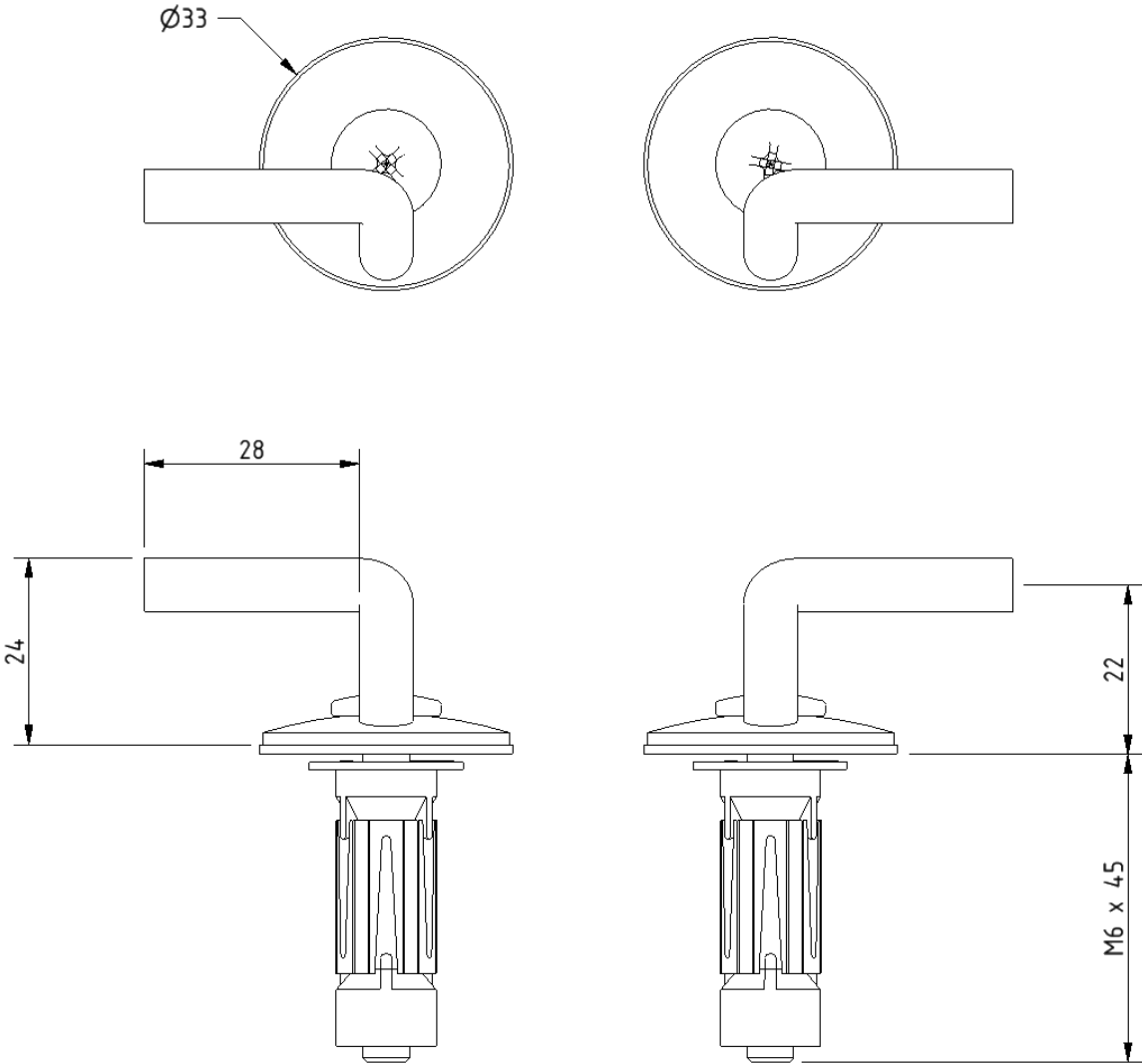
## Product code

NY-TOPFIXHINGE

## Disclaimer

NYMAS Group makes every effort to ensure that the information provided on this data sheet is correct. However, we cannot guarantee this, and accept no liability for any information or advice given on this data sheet.

## Dimensions (mm)



## Plastic flush pipe



### Product details

<b>Warranty:</b>	2 years
<b>Max rated load:</b>	n/a
<b>Doc M compliant:</b>	Yes
<b>Suitable for wet areas:</b>	Yes

### Features

- Manufactured from one piece, rigid white PVC, it has high strength and rigidity, allowing for a good seal to be made at either end, and maintaining a full flush.
- With its standard size being 18" x 18" this allows the installer to cut the pipe horizontally or vertically to size, allowing greater flexibility in cistern height installation, and wall to pan distance.

## Finish options

**WH**

White  
RAL 9016

### Product description

Flush pipe, 457mm x 457mm x 50mm to 41mm, white

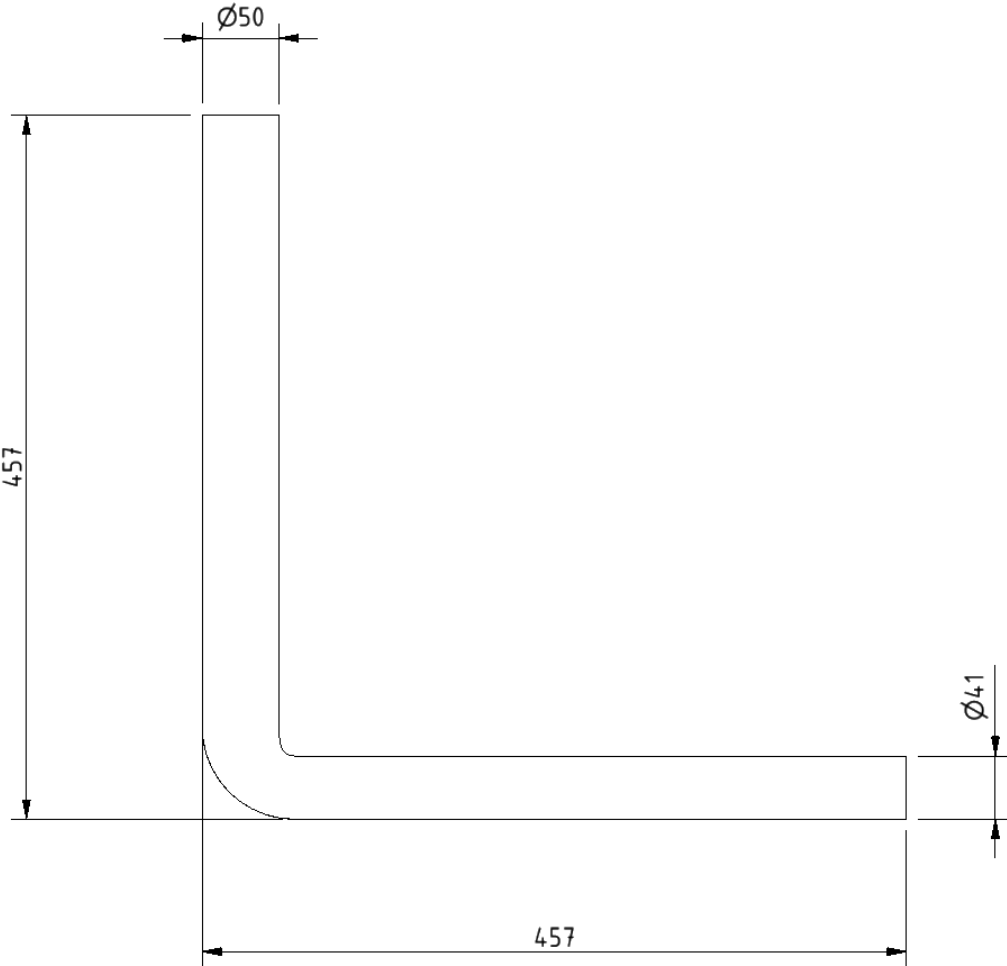
### Product code

FLUSHPIPE01

### Disclaimer

NYMAS Group makes every effort to ensure that the information provided on this data sheet is correct. However, we cannot guarantee this, and accept no liability for any information or advice given on this data sheet.

Dimensions (mm)



## Premium Doc M basin



### Product details

<b>Warranty:</b>	Lifetime
<b>Max rated load:</b>	n/a
<b>Doc M compliant:</b>	Yes
<b>Suitable for wet areas:</b>	Yes

### Features

- Multiple tap hole configurations available removing the need for blanking caps
- Complies with Part M of the Building Regulations
- No overflow

Does NOT come with wall fixings (P-000247-X00X)

### Finish options

**WH**

White  
RAL 9016

### Product description

- Premium Doc M basin, two tap holes, no overflow, white
- Premium Doc M basin, left handed tap hole, no overflow, white
- Premium Doc M basin, right handed tap hole, no overflow, white
- Premium Doc M basin, central tap hole, no overflow, white

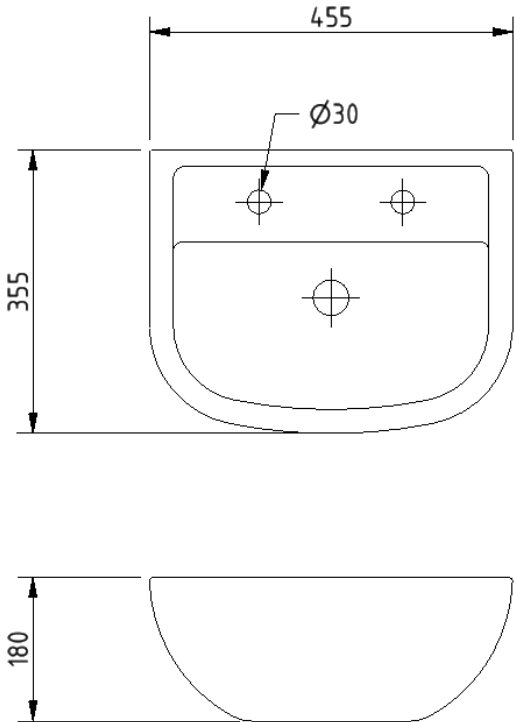
### Product code

- NY02-SW-00100-WH
- NY02-SW-00101-WH
- NY02-SW-00102-WH
- NY02-SW-00103-WH

### Disclaimer

NYMAS Group makes every effort to ensure that the information provided on this data sheet is correct. However, we cannot guarantee this, and accept no liability for any information or advice given on this data sheet.

**Dimensions (mm)**



FOR TAP HOLE POSITION DIMENSIONS SEE PRODUCT SPECIFIC MARKETING DRAWING

## Contemporary mains powered infrared tap



### Product details

<b>Warranty:</b>	5 years
<b>Max rated load:</b>	n/a
<b>Doc M compliant:</b>	Yes
<b>Suitable for wet areas:</b>	Yes

### Features

- Complies with Part M of the Building Regulations
- Reg 4 Certified (WRAS, NSF, Kiwa, etc.)
- Must be installed with a thermostatic mixing valve for premixed water (part code: BPLTMV)
- Hygienic touch-free operation
- Shuts off when hand is removed from in front of the sensor
- Water delivery automatically stops after 90 seconds (can be adjusted)

### Finish options



Polished  
chrome



Satin  
Stainless Steel



Matt black  
RAL 9005

### Product description

Contemporary infrared tap, with fittings, mains powered, polished chrome  
 Contemporary infrared tap, with fittings, mains powered, satin stainless steel  
 Contemporary infrared tap, with fittings, mains powered, matt black (RAL 9005)

### Product code

NY03-TAPIR01-CP  
 NY03-TAPIR01-SS  
 NY03-TAPIR01-MB

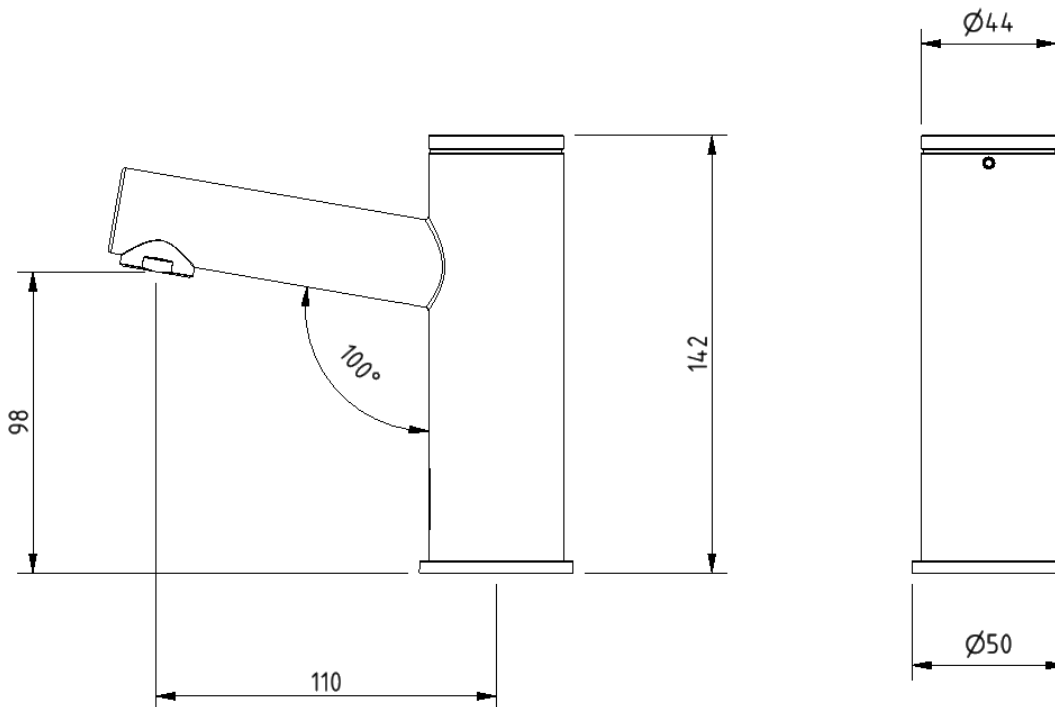
### Disclaimer

NYMAS Group makes every effort to ensure that the information provided on this data sheet is correct. However, we cannot guarantee this, and accept no liability for any information or advice given on this data sheet.

## Specification

Operating voltage:	9V DC
Mains supply:	230V AC 50Hz
Maximum dynamic pressure:	0.5 bar MIN, 8 bar MAX
Maximum hot water supply temperature:	70 degrees Celsius
Sensor range:	80 - 300mm (220mm preset)
Connection:	½" BSP
Flow rate:	6 litre per minute

## Dimensions (mm)





## Basin waste with stainless steel grid, no plug



### Product details

Warranty: 2years

Max rated load: n/a

Doc M compliant: n/a

Suitable for wet areas: Yes

### Features

- Quick and simple installation
- Manufactured from high quality materials
- Stainless steel grid
- Plastic Body

### Finish options

Not applicable

### Product description

Basin waste with stainless steel grid, no plug

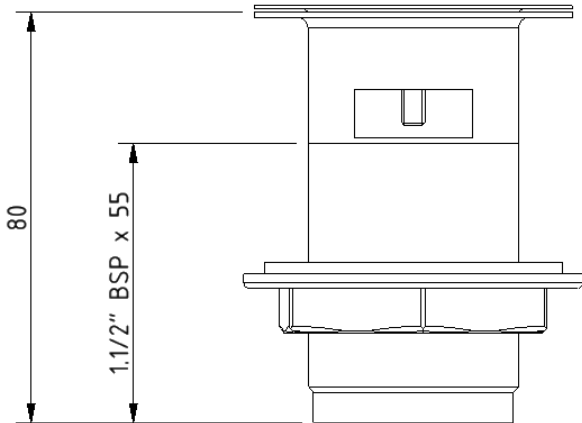
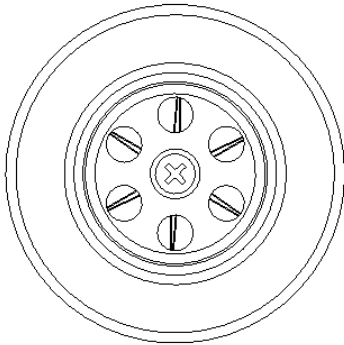
### Product code

P-000241-X00X

### Disclaimer

NYMAS Group makes every effort to ensure that the information provided on this data sheet is correct. However, we cannot guarantee this, and accept no liability for any information or advice given on this data sheet.

Dimensions (mm)



## Luxury straight stainless steel grab rail with concealed fixings



### Product details

<b>Warranty:</b>	5 years
<b>Max rated load:</b>	200 kg
<b>Doc M compliant:</b>	Yes
<b>Suitable for wet areas:</b>	Yes

### Features

- High quality stainless steel construction
- Concealed fixings
- Stylish T-bar design
- Complies with Part M of the Building Regulations

### Finish options



Satin  
Stainless Steel



Polished  
Stainless Steel



Matt black  
RAL 9005

### Product description

Luxury grab rail, straight, stainless steel, concealed fixings, 355mm
Luxury grab rail, straight, stainless steel, concealed fixings, 480mm
Luxury grab rail, straight, stainless steel, concealed fixings, 620mm
Luxury grab rail, straight, stainless steel, concealed fixings, 900mm

### Product code

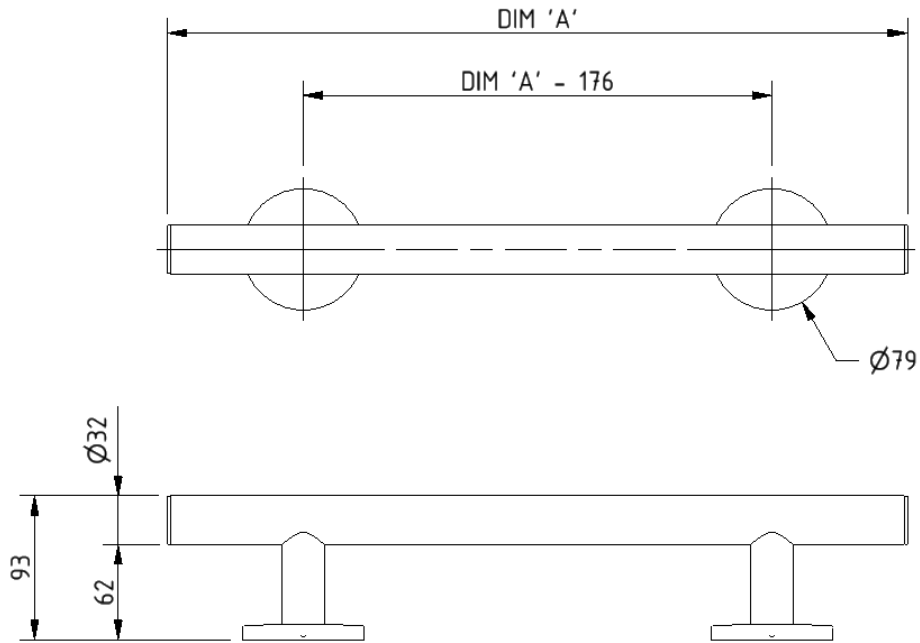
311435/**
311448/**
311462/**
311490/**

Replace \*\* with finish option code above e.g., 311435/SP

### Disclaimer

NYMAS Group makes every effort to ensure that the information provided on this data sheet is correct. However, we cannot guarantee this, and accept no liability for any information or advice given on this data sheet.

## Dimensions (mm)



PRODUCT CODE	311435/**	311448/**	311462/**	311490/**
DIM 'A'	355	480	620	900

## Contemporary stainless steel single arm friction hinged rail with concealed fixing



### Product details

Warranty: 5 years

Max rated load: 90 kg

Doc M compliant: Yes

Suitable for wet areas: Yes

### Features

- Contemporary single arm design
- Premium friction folding mechanism
- High quality stainless steel construction
- Complies with Part M of the Building Regulations

### Finish options



Satin  
Stainless Steel



Polished  
Stainless Steel



Matt black  
RAL 9005

### Product description

Contemporary single arm friction rail, stainless steel, concealed fixings

### Product code

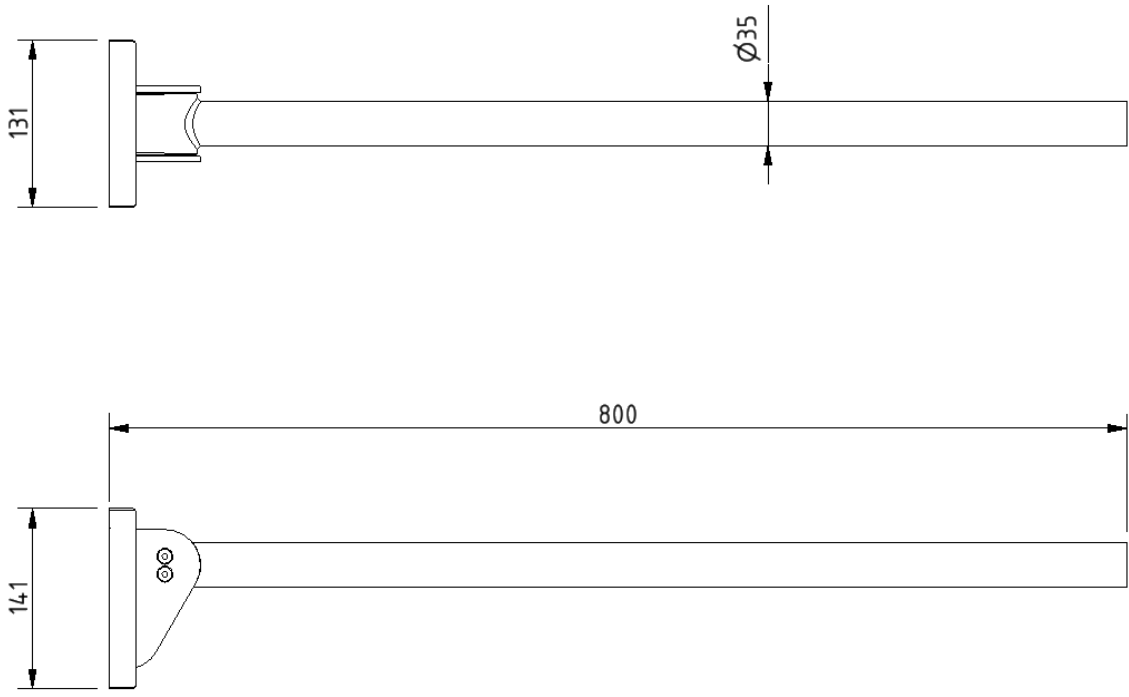
310480C/\*\*

Replace \*\* with finish option code above e.g., 310480C/SP

### Disclaimer

NYMAS Group makes every effort to ensure that the information provided on this data sheet is correct. However, we cannot guarantee this, and accept no liability for any information or advice given on this data sheet.

Dimensions (mm)



## Luxury stainless steel back rest rail and pad with concealed fixings



### Product details

<b>Warranty:</b>	5 years
<b>Max rated load:</b>	n/a
<b>Doc M compliant:</b>	Yes
<b>Suitable for wet areas:</b>	Yes

### Features

- Durable wipe clean polyurethane pad
- Non-corrosive stainless steel construction
- Saddle clips for fixing pad to rail
- Complies with Part M of the Building Regulations
- Stylish T-Bar design

### Finish options



Satin  
Stainless Steel



Polished  
Stainless Steel



Matt black  
RAL 9005

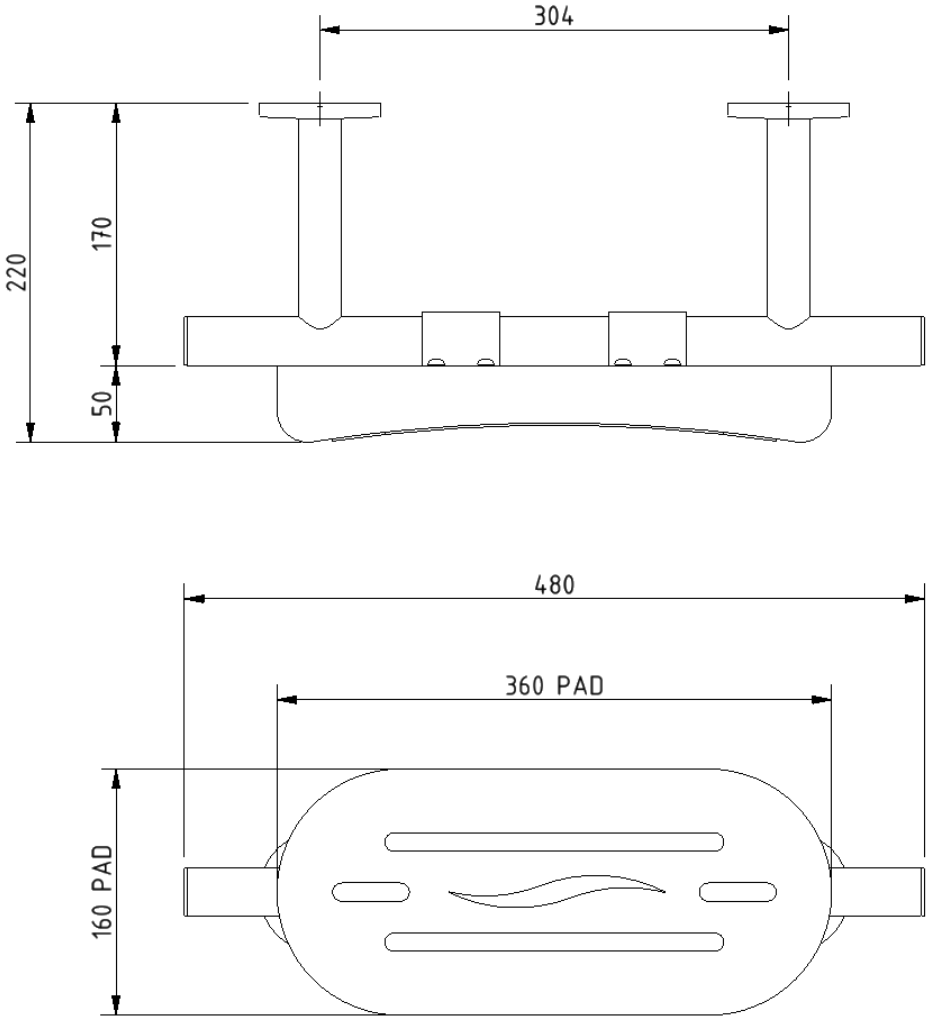
### Product description

Product description	Product code
Luxury back rest rail, including pad, stainless steel, concealed fixings, overall projection 220mm, matt black	311300/MB
Luxury back rest rail, including pad, stainless steel, concealed fixings, overall projection 220mm, polished	311300/SP
Luxury back rest rail, including pad, stainless steel, concealed fixings, overall projection 220mm, satin	311300/SS

### Disclaimer

NYMAS Group makes every effort to ensure that the information provided on this data sheet is correct. However, we cannot guarantee this, and accept no liability for any information or advice given on this data sheet.

Dimensions (mm)





## TMV3 inline thermostatic mixing valve



### Product details

<b>Warranty:</b>	2 years
<b>Max rated load:</b>	n/a
<b>Doc M compliant:</b>	Yes
<b>Suitable for wet areas:</b>	Yes

### Features

- TMV3 approved & Reg 4 Certified (WRAS, NSF, Kiwa, etc.)
- Complies with Part M of the Building Regulations
- Building Regulations Part G compliant
- Highly resistant to scaling
- Anti-tamper proof head

### Finish options



**CP**

Polished  
chrome

### Product description

TMV3 inline thermostatic mixing valve - 15mm

### Product code

BPLTMV

### Disclaimer

NYMAS Group makes every effort to ensure that the information provided on this data sheet is correct. However, we cannot guarantee this, and accept no liability for any information or advice given on this data sheet.

**Dimensions (mm)**

