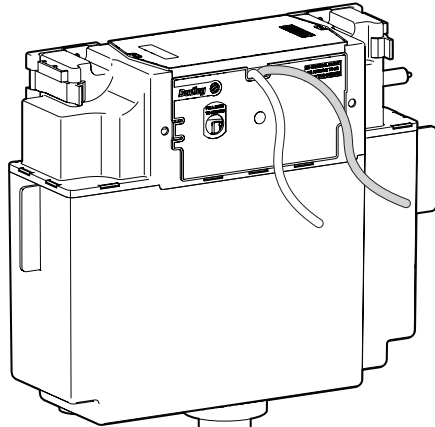


Dudley

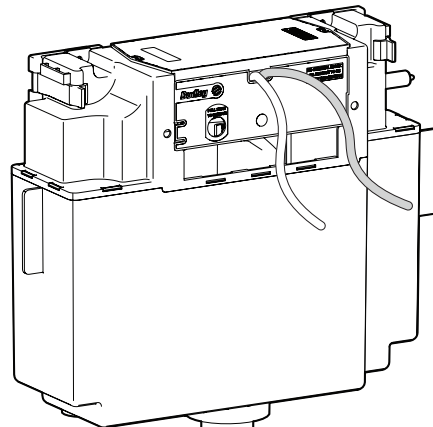


VANTAGE 2

CONCEALED PNEUMATIC CISTERN



FLUID CATEGORY 3



FLUID CATEGORY 5

INSTALLATION GUIDE



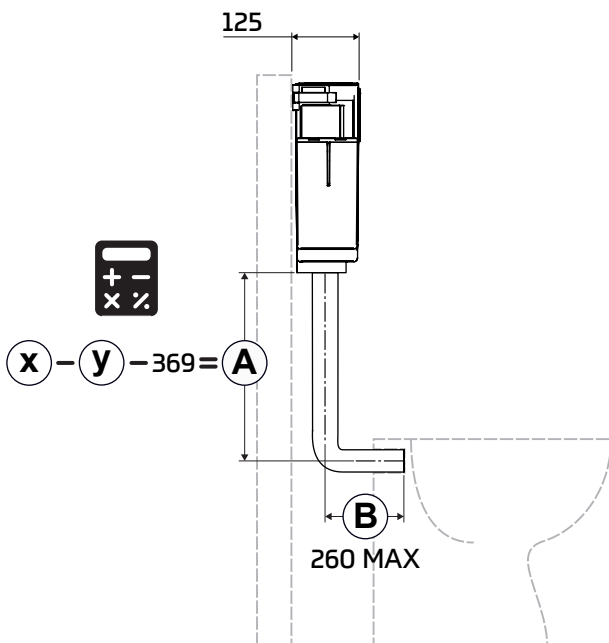
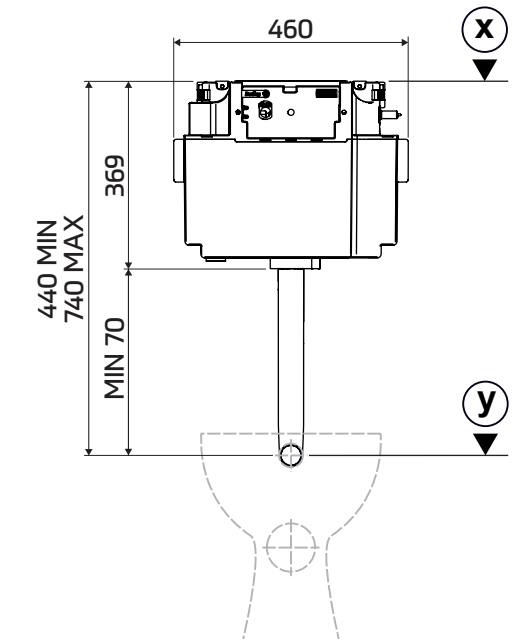
IMPORTANT NOTES

In addition to reference dimensions, allowance must be made for isolation valve, piping and button.

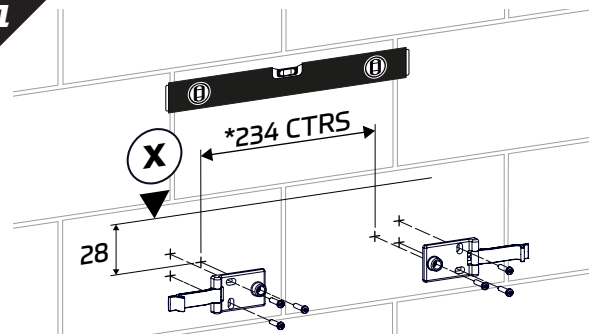
No sealing compound, paste, flux or solvent to be used in contact with plastic or rubber surfaces to avoid damage. Rubber washers will provide adequate seal. PTFE tape may be used on threads. Do not over tighten plastic nuts. No chemical block/additive to be used in this cistern.

Installation to a masonry substrate shown for visual purposes. This procedure is transferable across other installation applications i.e. furniture. Ensure that suitable fixings are used for the required application.

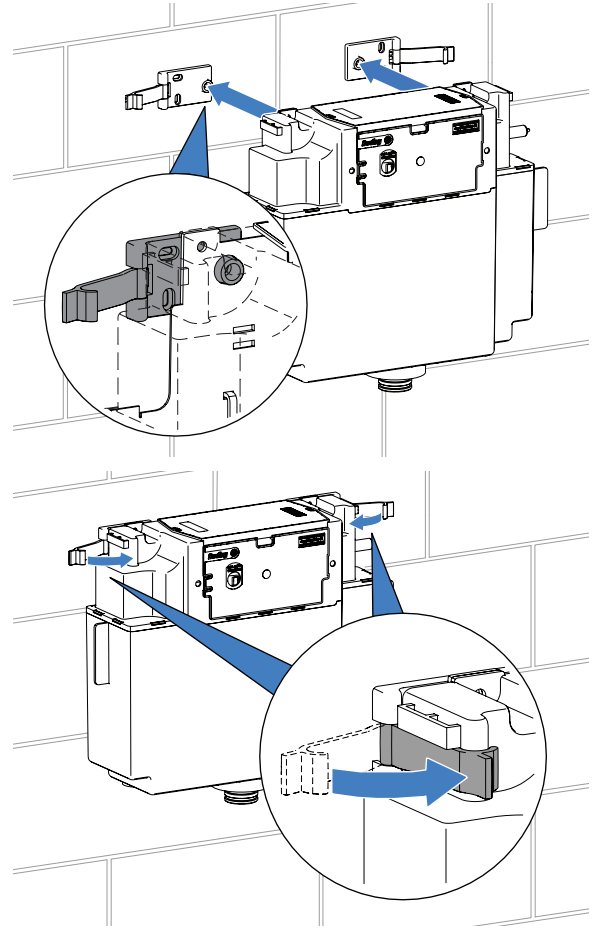
REFERENCE DIMENSIONS



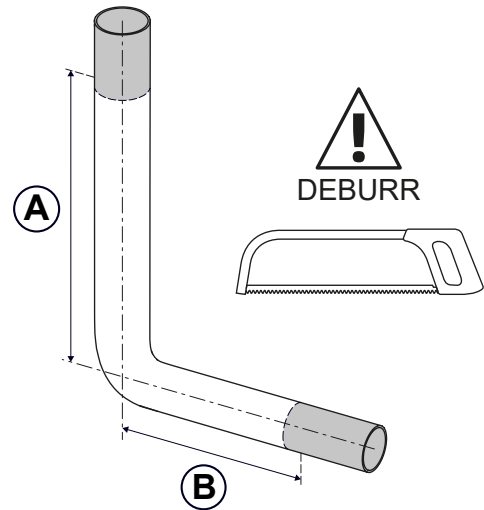
1



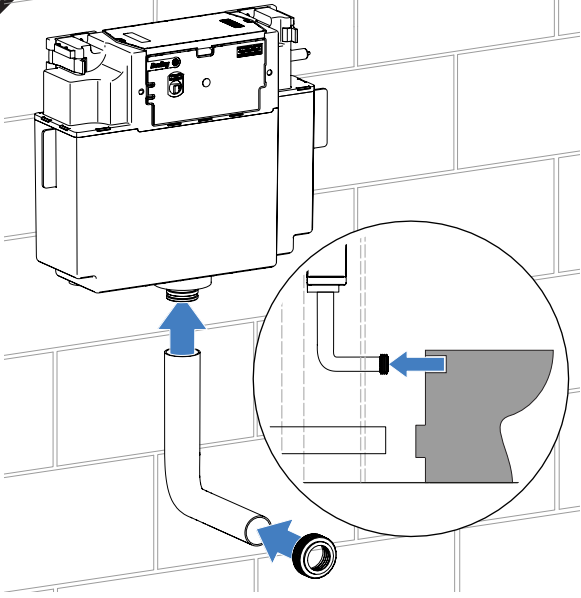
*FIXING TEMPLATE INCLUDED ON CARTON IF REQUIRED



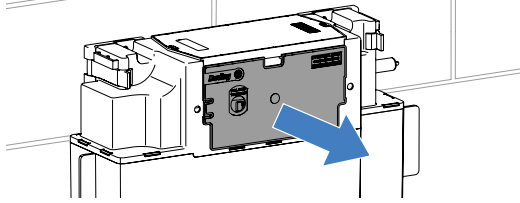
2



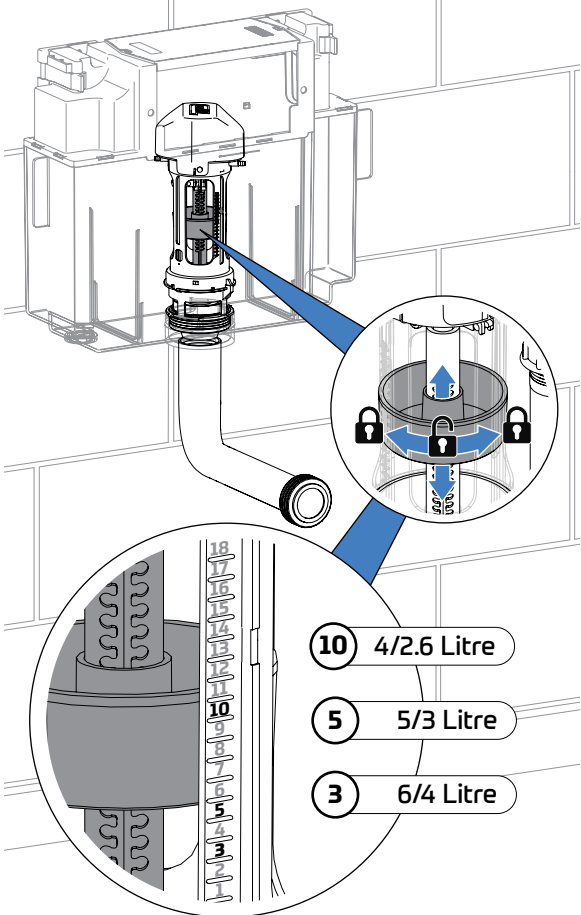
3



4

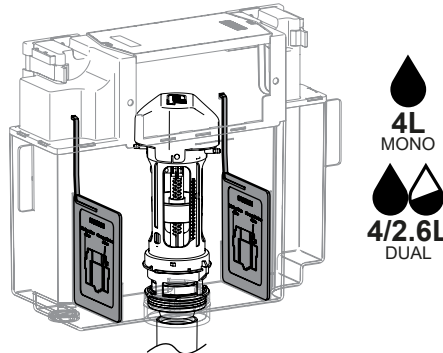
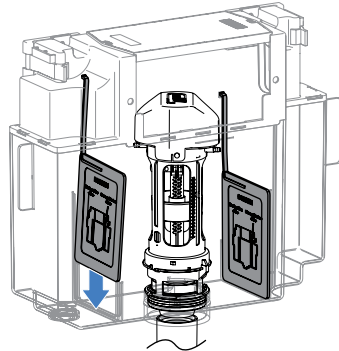
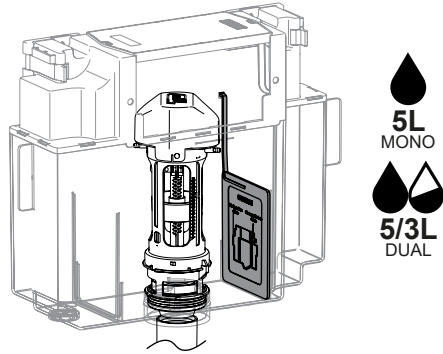
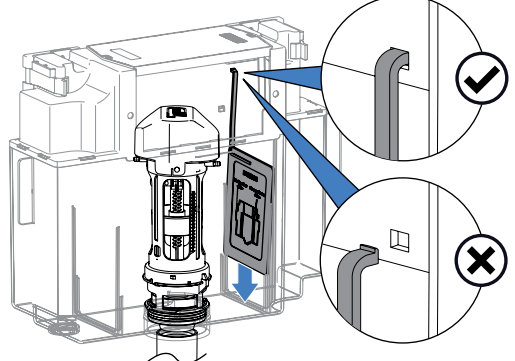
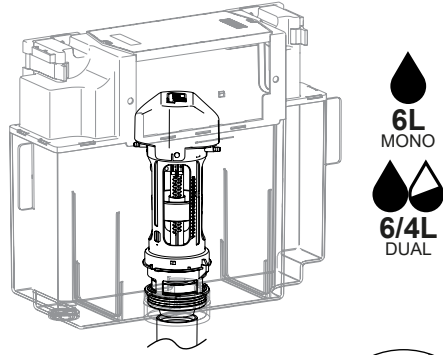


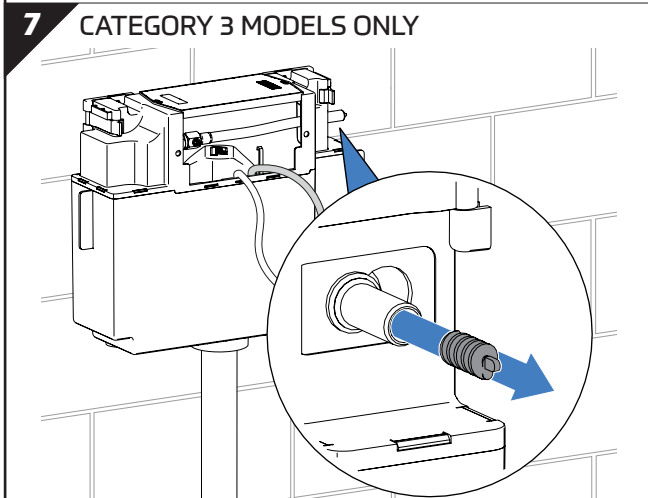
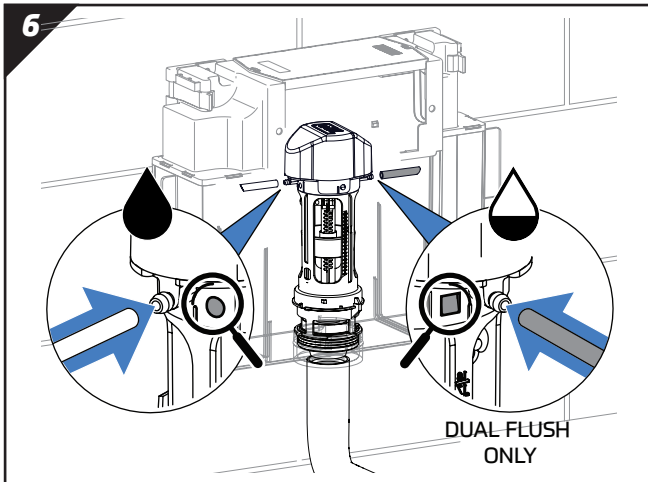
5 FLUSH VOLUME CONVERSION (IF REQUIRED)



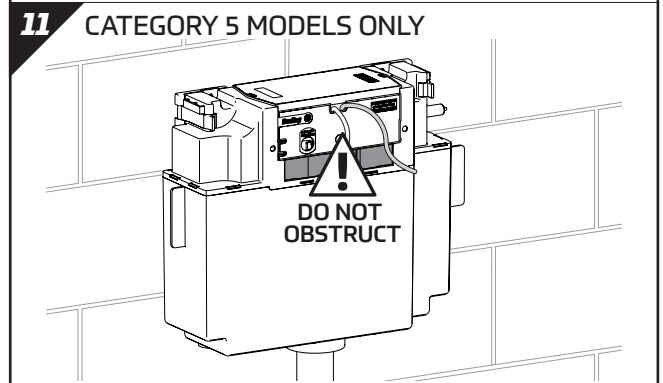
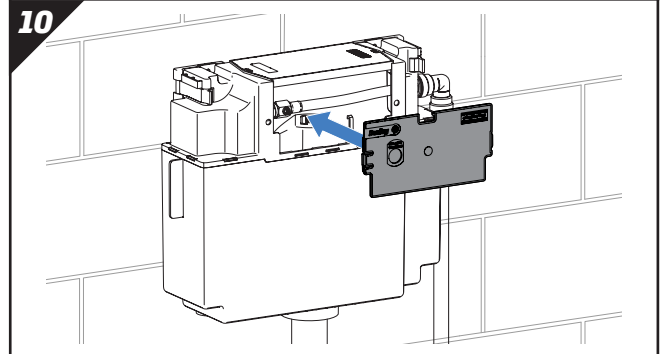
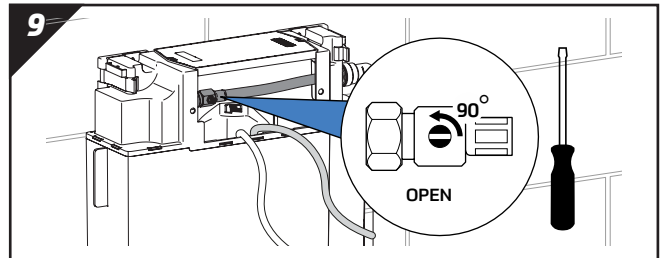
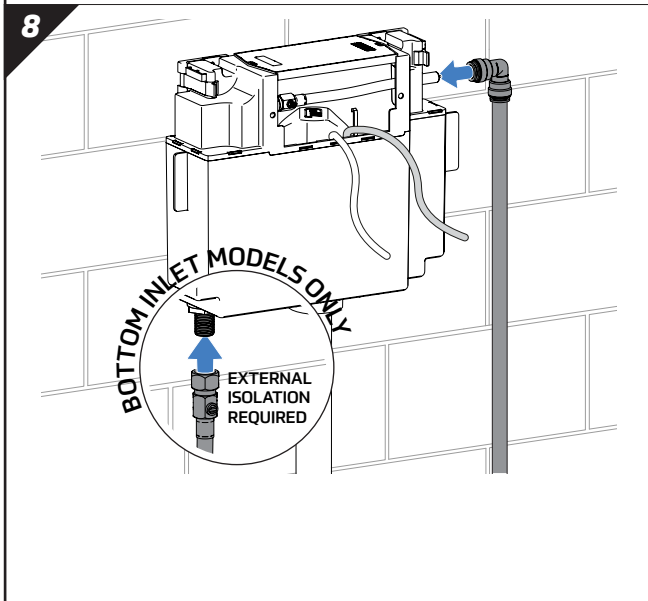
5

CONTINUED...






TANK FED	TANK HEIGHT >50ft (15m)	RETAIN
	TANK HEIGHT <50ft (15m)	REMOVE
MAINS FED	PRESSURE >1.5 bar	RETAIN
	PRESSURE <1.5 bar	REMOVE



12 Final Installation Checklist

- ~ Check moving components are not obstructed and move freely.
- ~ Check connections are secure and fixed correctly.
- ~ Check installation for leaks.
- ~ Check water level aligns to that marked within cistern, fine adjust if necessary.
- ~ Hold the valve open (float down) to check overflow operation is sufficient.
- ~ If the valve fails to shut off, the diaphragm & filter may require cleaning. Please refer to the Hydroflo service & maintenance guide as below.
- ~ Visit www.tyde.co.uk for service & maintenance information.

Scan QR code for trouble-shooting



Dudley



ELECTROFLO®

INFRARED TOUCH FREE FLUSH SENSOR



INSTALLATION GUIDE



IMPORTANT NOTES

Prior to installation ensure raised toilet seat will not cover sensor.

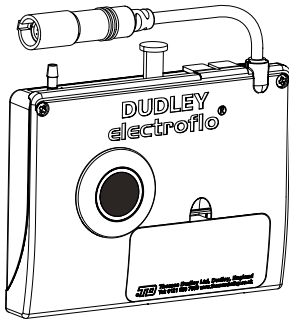
During installation do not expose the electronics to fluids, dust, dirt or damp.

Installation of the mains adaptor must be carried out and checked by a qualified electrician.

No after-market mains power packs to be used with this product. Use OEM supplied power pack only.

Do not kink or trim supplied air tubes.

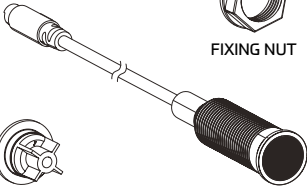
1 PACK CONTENTS



CONTROL UNIT



FIXING NUT



MOUNTING ADAPTOR

INFRA-RED SENSOR WITH CABLE



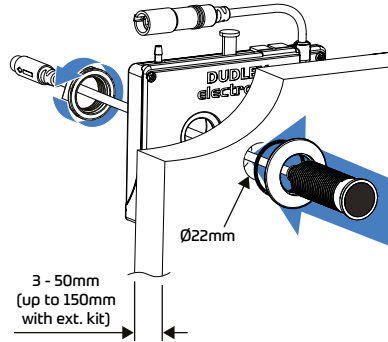
DOMESTIC SURROUNDS

[OR]

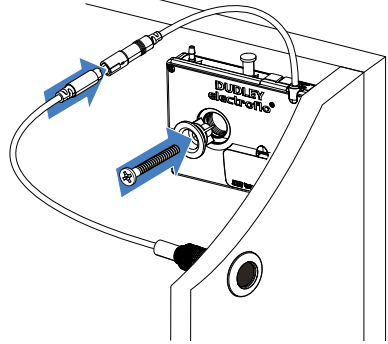


COMMERCIAL SURROUNDS

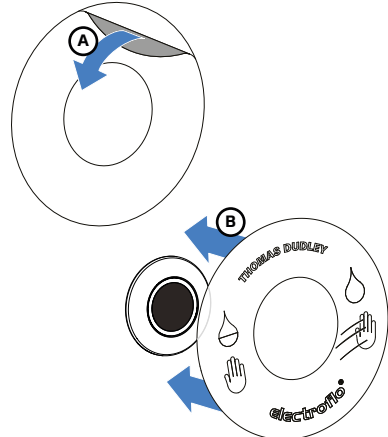
2 SENSOR MOUNTED UNIT

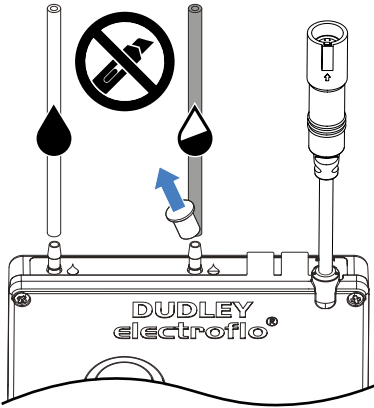
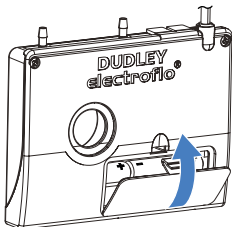
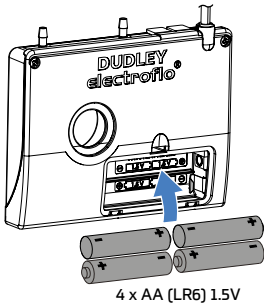
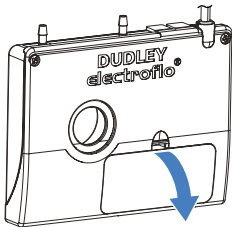
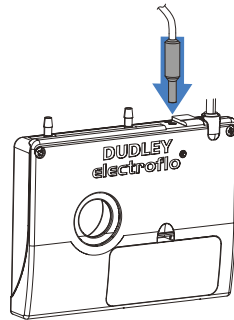
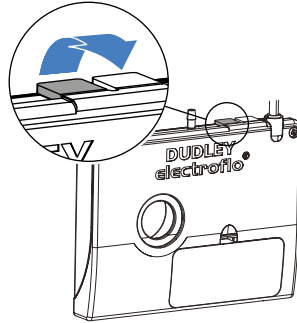


INDEPENDENTLY MOUNTED



3 DOMESTIC SURROUNDS ONLY



4**CONNECTIONS****5a****BATTERY POWER-UP****5b****MAINS POWER-UP****6****OPERATION AND INDICATION**

FULL FLUSH

REDUCED FLUSH



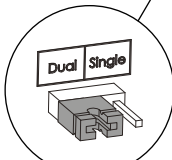
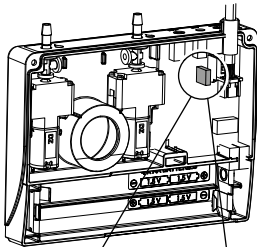
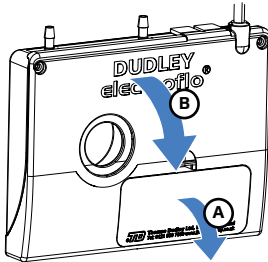
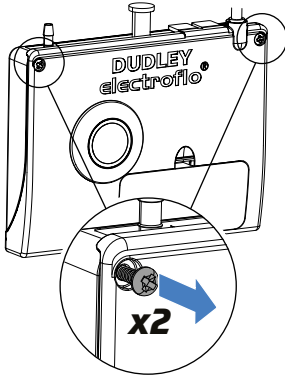
WAVE

HOLD

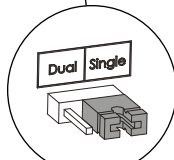
WITHIN 50mm
OF SENSOR

INDICATION	STATUS
FLASH EVERY 8 SEC.	NORMAL OPERATION
LIT FOR 15 SEC. AFTER FLUSH	FILL DELAY
RAPID FLASH	BATTERY LOW
SLOW FLASH	SENSOR OBSTRUCTION

7 FLUSH CONVERSION

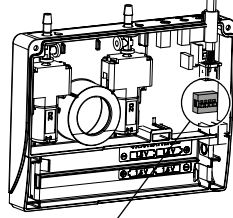


DUAL FLUSH



SINGLE FLUSH

8 PUMP BOOST



FULL FLUSH	REDUCED FLUSH	SWITCH SETTING	PUMP RUN TIME (SEC)
ON	OFF	OFF OFF	1.8
OFF	OFF	OFF ON	2.1
ON	ON	ON OFF	2.4
OFF	ON	ON ON	2.7

9 Final Installation Checklist

- ~ Check flush valve instructions for correct valve connection procedure.
- ~ Ensure air tubes are connected securely and routing is free from kinks and acute bends.
- ~ Check full and reduced flush operation.
- ~ Visit www.tyde.co.uk for service & maintenance information.

TYDE

295 Birmingham New Road
Dudley, West Midlands
United Kingdom
DY1 4SJ

A Thomas Dudley Business

t +44 (0)121 557 5411
f +44 (0)121 557 5345
e info@tyde.co.uk
w www.thomasdudley.co.uk/tyde

TYDE
fluid
movement