

Luxury wall hung Doc M toilet pack



Product details

| | |
|--------------------------------|-------------------------|
| Warranty: | See individual products |
| Max rated load: | See individual products |
| Doc M compliant: | Yes |
| Suitable for wet areas: | Yes |

Features

- Complies with Part M of the Building Regulations
- Inlet valve and syphon Reg 4 Certified (WRAS, NSF, Kiwa, etc.)
- Concealed fixing stainless steel grab rails
- Universal - suitable for left or right handed transfer
- Simple one box solution
- Optional TMV3 Valve

Finish options



Matt black
RAL 9005



Satin
Stainless Steel



Polished
Stainless Steel

Product description

Luxury wall hung Doc M toilet pack

Luxury back to wall Doc M toilet pack, TMV3 valve

Luxury back to wall Doc M toilet pack, TMV3 tap

Product code

NY03-DM-41000-**

NY03-DM-41100-**

NY03-DM-41200-**

Replace ** with finish option code above e.g., NY03-DM-41000-MB

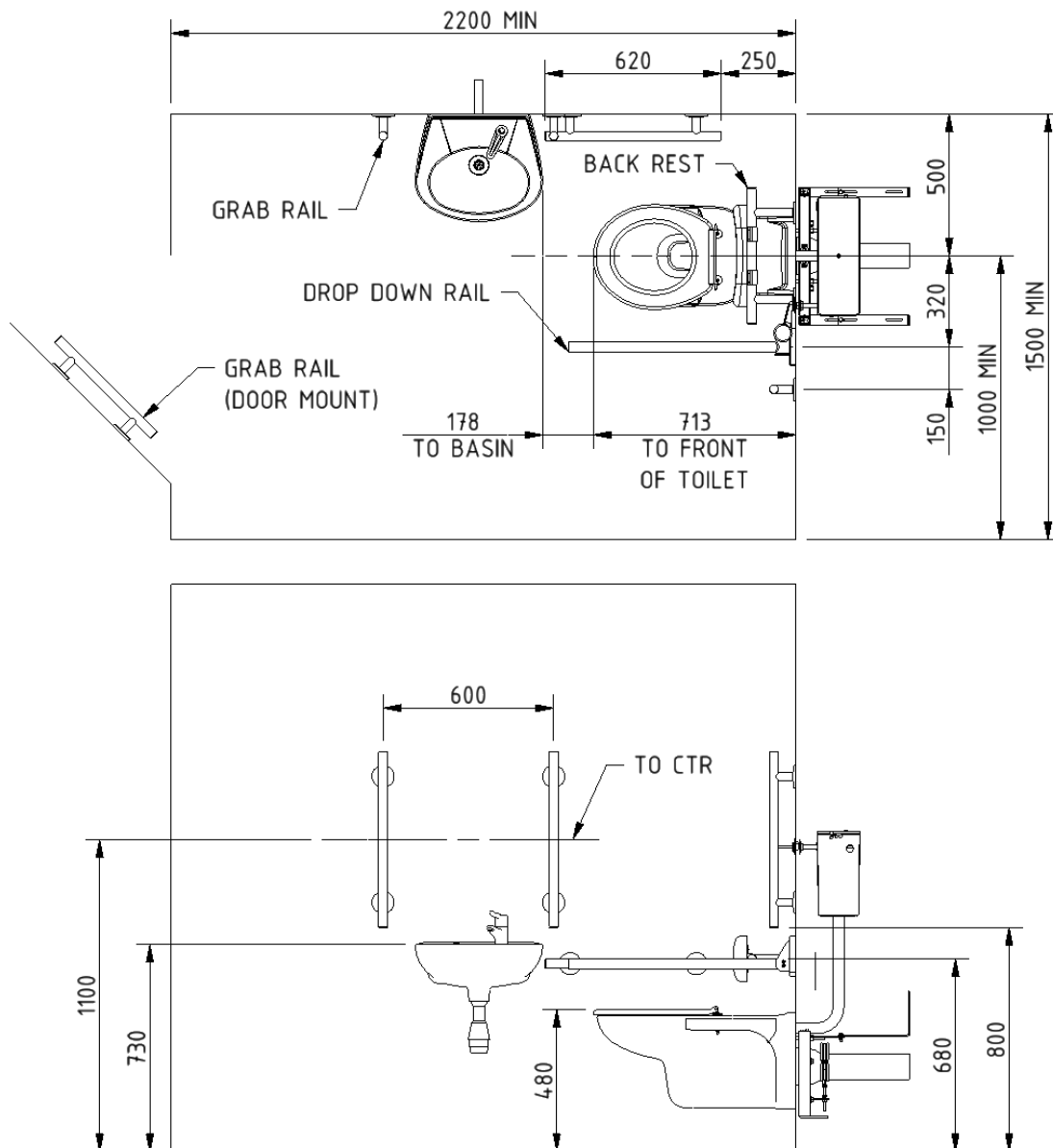
Disclaimer

NYMAS Group makes every effort to ensure that the information provided on this data sheet is correct. However, we cannot guarantee this, and accept no liability for any information or advice given on this data sheet.

Pack contents

- 4 x 600mm stainless steel luxury grab rails with concealed fixings
- 1 x 450mm stainless steel luxury grab rail with concealed fixings
- 1 x 800mm stainless steel contemporary hinged support rail with concealed fixings
- 1 x 220mm stainless steel luxury back rest rail and pad with concealed fixings
- 1 x Wall hung box rim Doc M pan
- 1 x Floor mounting frame for wall hung pan
- 1 x Concealed cistern with fittings, flush pipe, and Doc M concealed cistern spatula lever
- 1 x Ring only toilet seat
- 1 x Two tap hole basin
- 1 x Sequential basin mixer tap (optional TMV3 tap - NY03-DM-41200 only)
- 1 x Tap hole stopper
- 1 x Basin waste
- 1 x TMV3 Valve (NY03-DM-41100 only)

Dimensions (mm)



Luxury straight stainless steel grab rail with concealed fixings



Product details

| | |
|--------------------------------|---------|
| Warranty: | 5 years |
| Max rated load: | 200 kg |
| Doc M compliant: | Yes |
| Suitable for wet areas: | Yes |

Features

- High quality stainless steel construction
- Concealed fixings
- Stylish T-bar design
- Complies with Part M of the Building Regulations

Finish options



Satin
Stainless Steel



Polished
Stainless Steel



Matt black
RAL 9005

Product description

| |
|---|
| Luxury grab rail, straight, stainless steel, concealed fixings, 355mm |
| Luxury grab rail, straight, stainless steel, concealed fixings, 480mm |
| Luxury grab rail, straight, stainless steel, concealed fixings, 620mm |
| Luxury grab rail, straight, stainless steel, concealed fixings, 900mm |

Product code

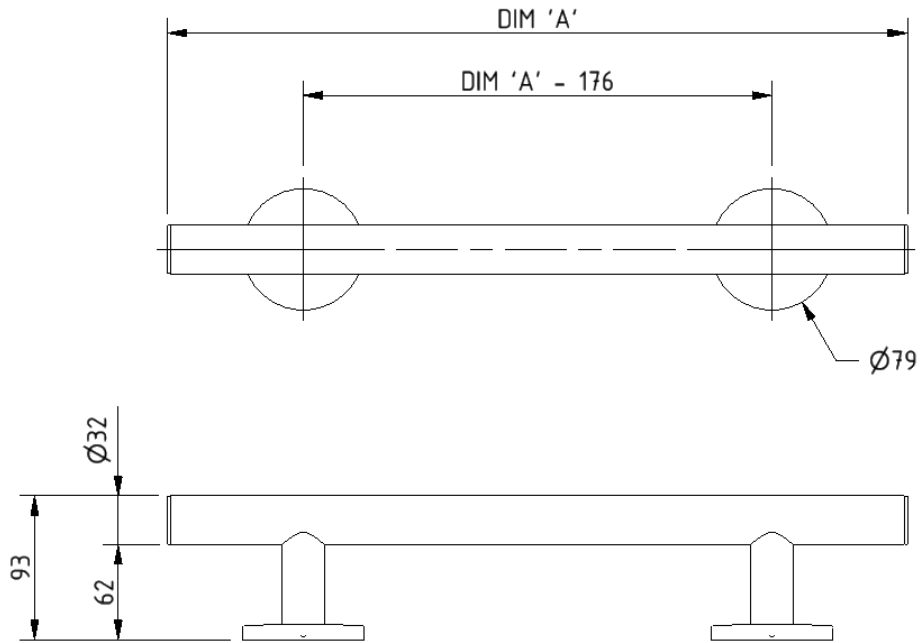
| |
|-----------|
| 311435/** |
| 311448/** |
| 311462/** |
| 311490/** |

Replace ** with finish option code above e.g., 311435/SP

Disclaimer

NYMAS Group makes every effort to ensure that the information provided on this data sheet is correct. However, we cannot guarantee this, and accept no liability for any information or advice given on this data sheet.

Dimensions (mm)



| PRODUCT CODE | 311435/** | 311448/** | 311462/** | 311490/** |
|--------------|-----------|-----------|-----------|-----------|
| DIM 'A' | 355 | 480 | 620 | 900 |

Contemporary stainless steel single arm friction hinged rail with concealed fixing



Product details

Warranty: 5 years

Max rated load: 90 kg

Doc M compliant: Yes

Suitable for wet areas: Yes

Features

- Contemporary single arm design
- Premium friction folding mechanism
- High quality stainless steel construction
- Complies with Part M of the Building Regulations

Finish options



Satin
Stainless Steel



Polished
Stainless Steel



Matt black
RAL 9005

Product description

Contemporary single arm friction rail, stainless steel, concealed fixings

Product code

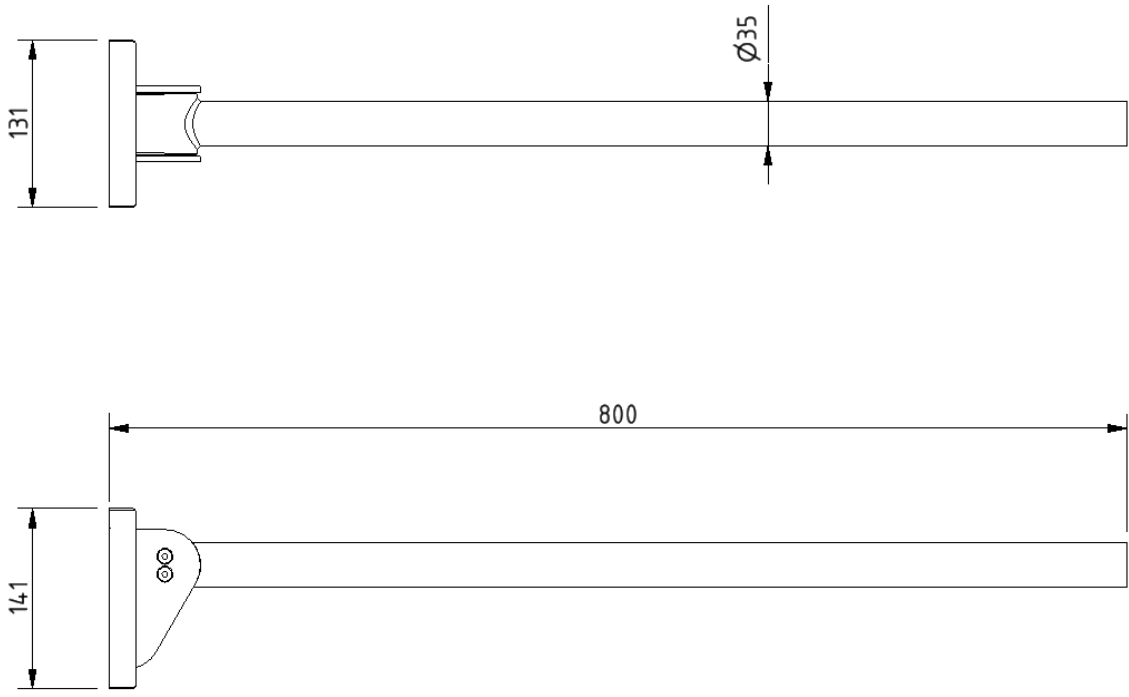
310480C/**

Replace ** with finish option code above e.g., 310480C/SP

Disclaimer

NYMAS Group makes every effort to ensure that the information provided on this data sheet is correct. However, we cannot guarantee this, and accept no liability for any information or advice given on this data sheet.

Dimensions (mm)



Luxury stainless steel back rest rail and pad with concealed fixings



Product details

| | |
|--------------------------------|---------|
| Warranty: | 5 years |
| Max rated load: | n/a |
| Doc M compliant: | Yes |
| Suitable for wet areas: | Yes |

Features

- Durable wipe clean polyurethane pad
- Non-corrosive stainless steel construction
- Saddle clips for fixing pad to rail
- Complies with Part M of the Building Regulations
- Stylish T-Bar design

Finish options



Satin
Stainless Steel



Polished
Stainless Steel



Matt black
RAL 9005

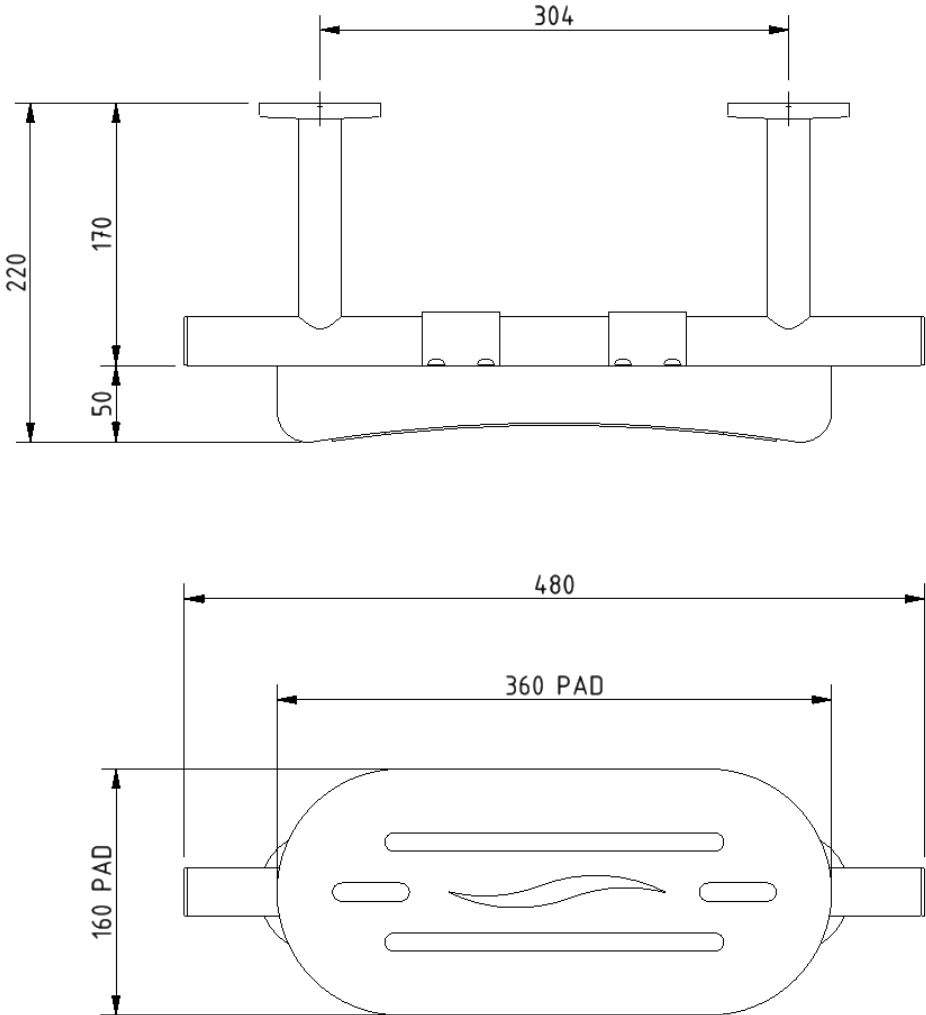
Product description

| Product description | Product code |
|--|--------------|
| Luxury back rest rail, including pad, stainless steel, concealed fixings, overall projection 220mm, matt black | 311300/MB |
| Luxury back rest rail, including pad, stainless steel, concealed fixings, overall projection 220mm, polished | 311300/SP |
| Luxury back rest rail, including pad, stainless steel, concealed fixings, overall projection 220mm, satin | 311300/SS |

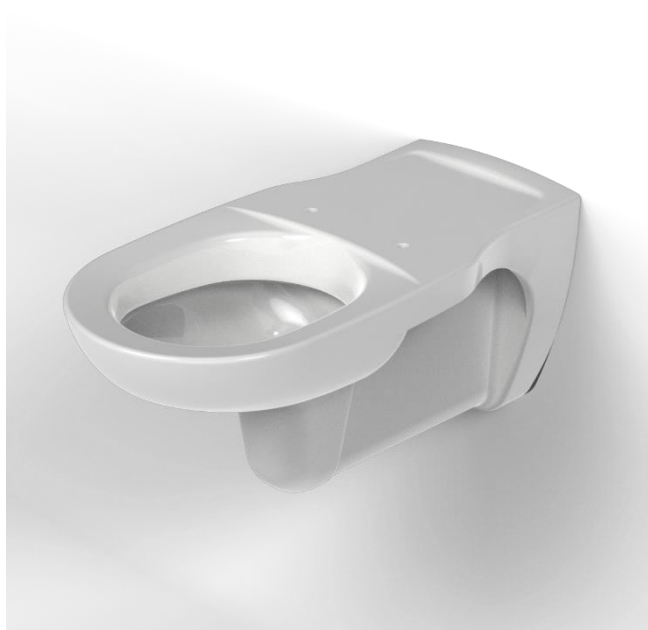
Disclaimer

NYMAS Group makes every effort to ensure that the information provided on this data sheet is correct. However, we cannot guarantee this, and accept no liability for any information or advice given on this data sheet.

Dimensions (mm)



Wall hung Doc M pan



Product details

| | |
|--------------------------------|---------|
| Warranty: | 5 years |
| Max rated load: | n/a |
| Doc M compliant: | Yes |
| Suitable for wet areas: | Yes |

Features

- Extended projection to aid compliance with Part M of the Building Regulations
- UKCA and CE compliant
- Contemporary feel

For 750mm projection, wall should be built out by 50mm

Finish options



White
RAL 9016

Product description

Wall hung Doc M pan, 700mm projection, no fixings, white

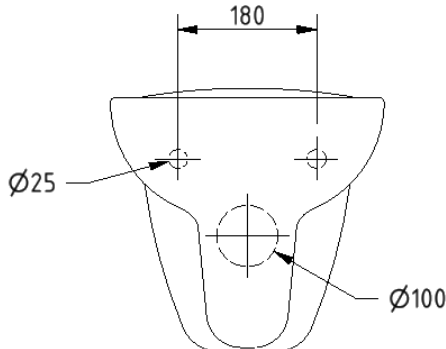
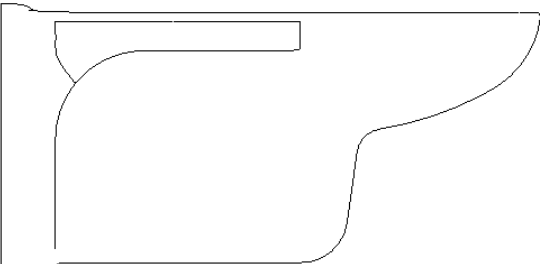
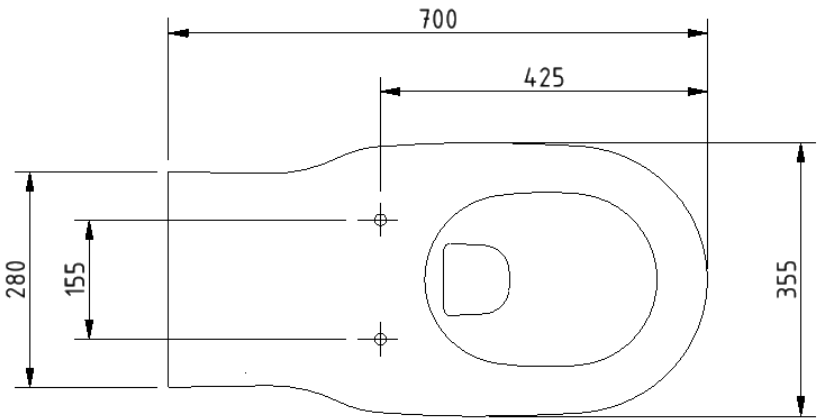
Product code

PANWH70

Disclaimer

NYMAS Group makes every effort to ensure that the information provided on this data sheet is correct. However, we cannot guarantee this, and accept no liability for any information or advice given on this data sheet.

Dimensions (mm)



Toilet seat, ring only, stainless steel pillar hinge



Product details

| | |
|--------------------------------|---------|
| Warranty: | 2 years |
| Max rated load: | 150 kg |
| Doc M compliant: | Yes |
| Suitable for wet areas: | Yes |

Features

- Complies with Part M of the Building Regulations
- Anti-bacterial, strong and durable Duroplast seat
- Ergonomic and comfortable shape
- Stainless steel hinge (bottom fix as standard)
Additional hinge pack to convert to top fix: NY-TOPFIXHINGE
- Adjustable locating buffers
- Fits close coupled, low level, back to wall and wall hung pans

Finish options



White
RAL 9016



Dark blue
RAL 5011



Dark grey
RAL 7016



Grey
RAL 7005

Product description

| |
|--|
| Toilet seat, ring only, stainless steel pillar hinge, dark blue (RAL 5011) |
| Toilet seat, ring only, stainless steel pillar hinge, dark grey (RAL 7016) |
| Toilet seat, ring only, stainless steel pillar hinge, grey (RAL 7005) |
| Toilet seat, ring only, stainless steel pillar hinge, white (RAL 9016) |

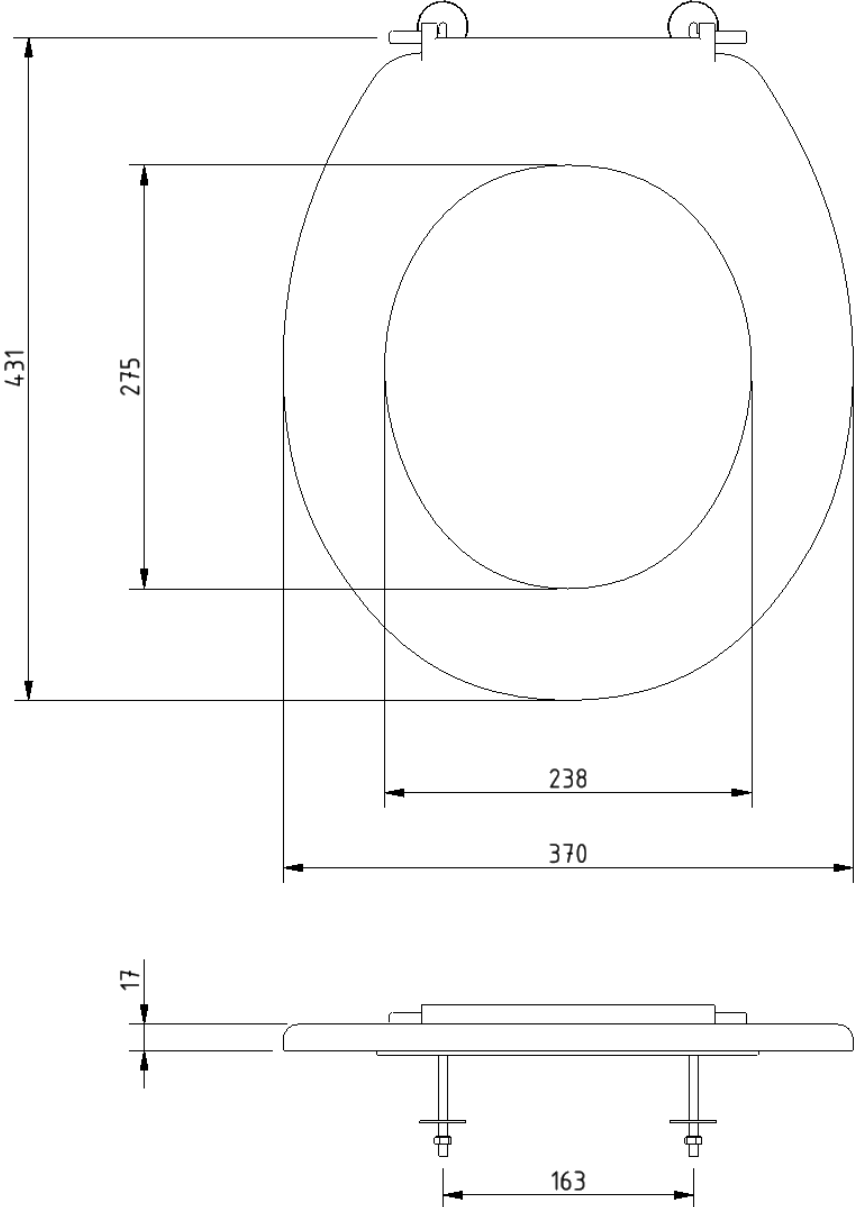
Product code

| |
|-----------|
| 260015/DB |
| 260015/DG |
| 260015/GY |
| 260015/WH |

Disclaimer

NYMAS Group makes every effort to ensure that the information provided on this data sheet is correct. However, we cannot guarantee this, and accept no liability for any information or advice given on this data sheet.

Dimensions (mm)



Concealed cistern spatula lever



Product details

Warranty: 2 years

Max rated load: n/a

Doc M compliant: Yes

Suitable for wet areas: Yes

Features

- Complies with Part M of the Building Regulations
- Easy operation for users with limited dexterity
- For use with concealed cisterns

Finish options



Polished
chrome

Product description

Concealed cistern spatula lever, 215mm spindle, polished chrome

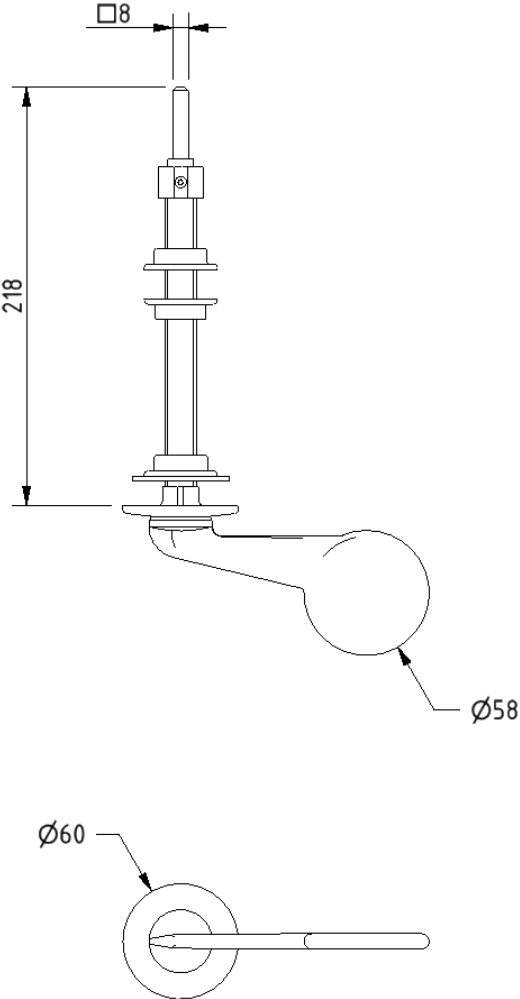
Product code

P-000243-X00X

Disclaimer

NYMAS Group makes every effort to ensure that the information provided on this data sheet is correct. However, we cannot guarantee this, and accept no liability for any information or advice given on this data sheet.

Dimensions (mm)



Concealed cistern and fittings



Product details

Warranty: 2 years

Max rated load: N/A

Doc M compliant: N/A

Suitable for wet areas: Yes

Features

- Syphon and inlet valve Reg 4 Certified (WRAS, NSF, Kiwa, etc.)
- Top access
- 6 litre flush
- Internal / external overflow warning
- High density polystyrene construction

Does not come with flush lever or flush pipe

Product description

Concealed cistern and fittings, no lever or flush pipe

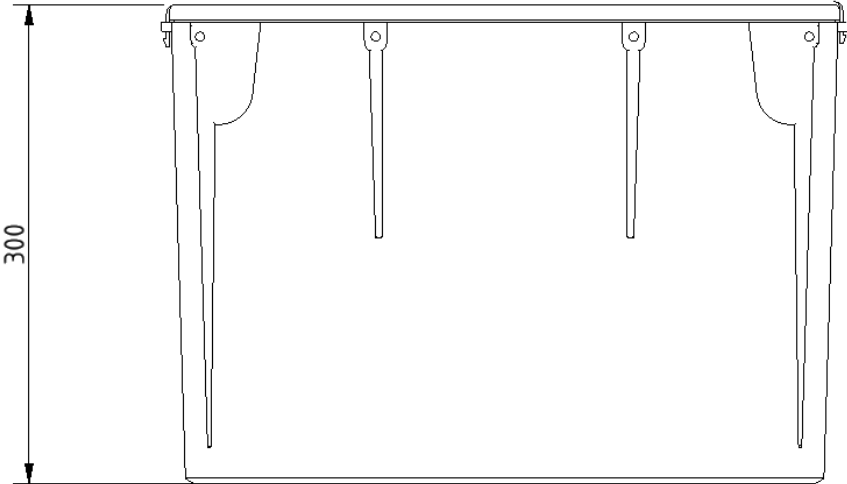
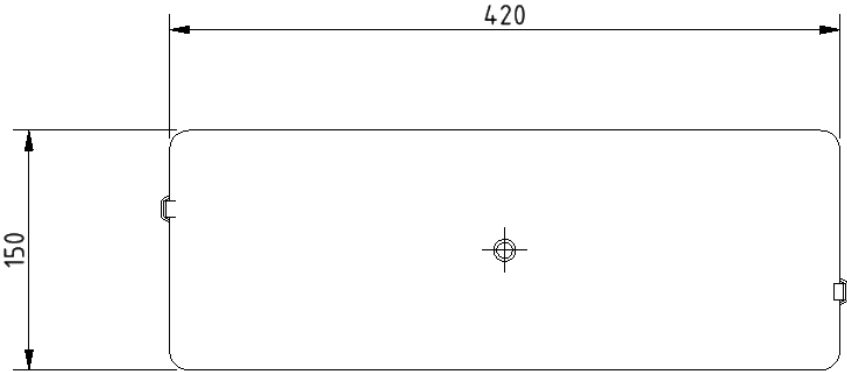
Product code

B-CISTHIDE

Disclaimer

NYMAS Group makes every effort to ensure that the information provided on this data sheet is correct. However, we cannot guarantee this, and accept no liability for any information or advice given on this data sheet.

Dimensions (mm)



Low frame unit for wall hung pan



Product details

| | |
|--------------------------------|---------|
| Warranty: | 5 years |
| Max rated load: | 350 kg |
| Doc M compliant: | Yes |
| Suitable for wet areas: | Yes |

Features

- Come with flush pipe and WC pan connector clamps
- Adjustable legs for WC pan height fixing flexibility
- Wall and floor fixing brackets can be fixed through 180 degrees and 360 degrees to simplify installation
- Strong steel tubular section

Finish options



Grey
RAL 7005

Product description

Low frame unit for wall hung pan

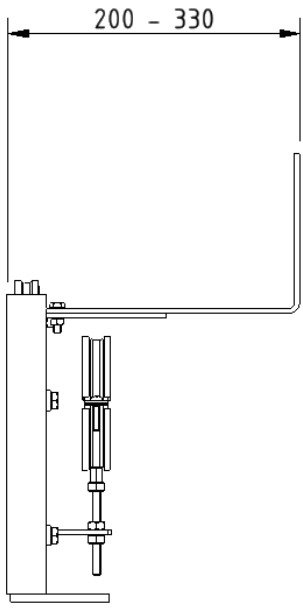
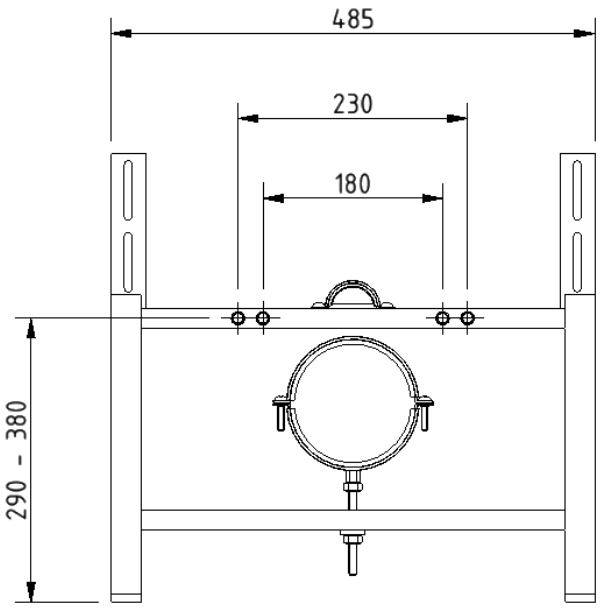
Product code

B-WALLHUNGFRAME

Disclaimer

NYMAS Group makes every effort to ensure that the information provided on this data sheet is correct. However, we cannot guarantee this, and accept no liability for any information or advice given on this data sheet.

Dimensions (mm)



Plastic flush pipe



Product details

| | |
|-------------------------|---------|
| Warranty: | 2 years |
| Max rated load: | n/a |
| Doc M compliant: | Yes |
| Suitable for wet areas: | Yes |

Features

- Manufactured with a 38mm outside diameter
- One-piece 90° swept bend
- High quality PVC construction

Finish options

WH

White
RAL 9016

Product description

Flush pipe, 610mm x 610mm x 38mm, white

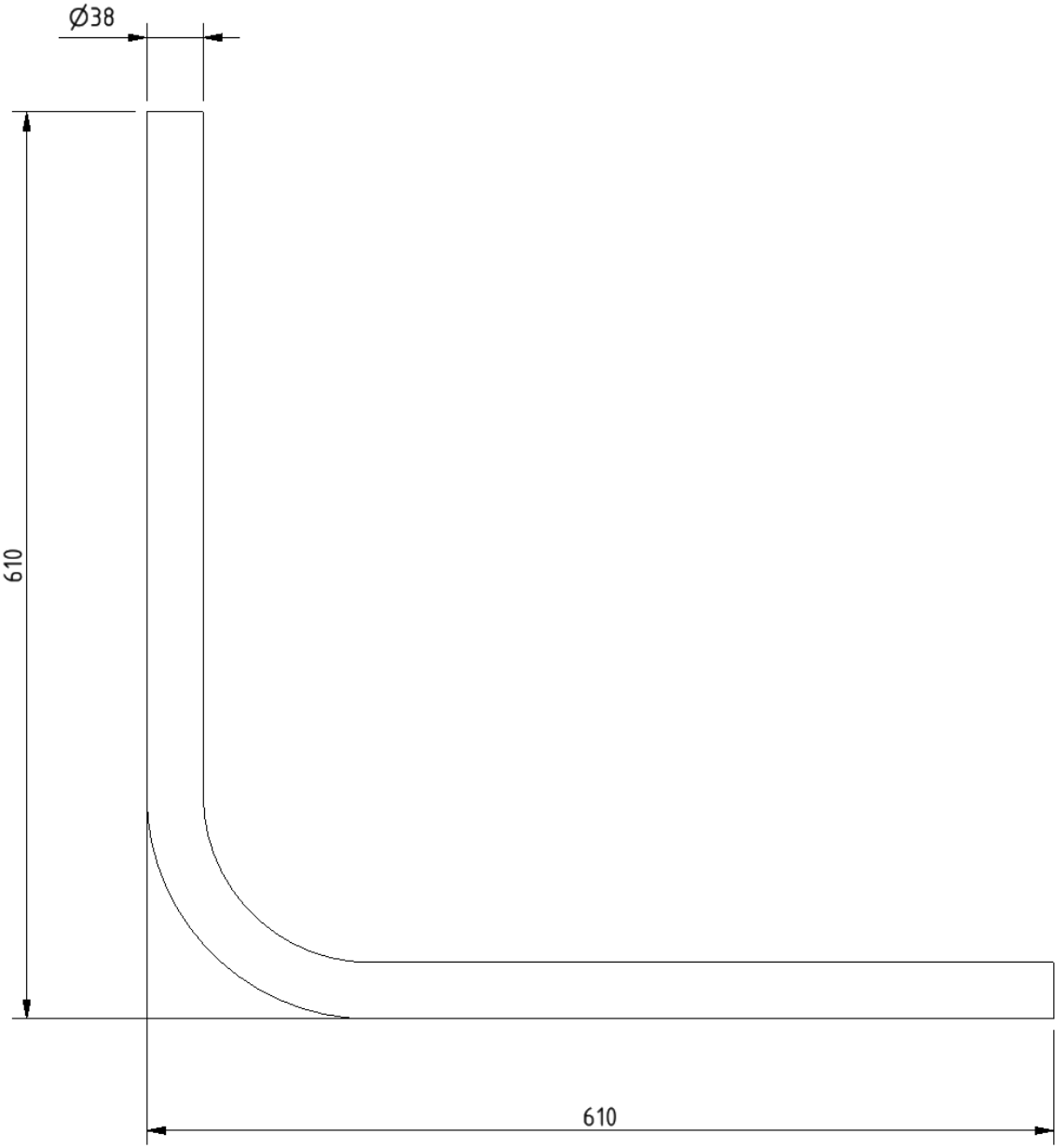
Product code

CP-OMI-1245

Disclaimer

NYMAS Group makes every effort to ensure that the information provided on this data sheet is correct. However, we cannot guarantee this, and accept no liability for any information or advice given on this data sheet.

Dimensions (mm)



Standard Doc M Basin



Product details

| | |
|--------------------------------|----------|
| Warranty: | Lifetime |
| Max rated load: | n/a |
| Doc M compliant: | Yes |
| Suitable for wet areas: | Yes |

Features

- Two tap holes or central tap hole options available
- Compact design to maximise space for a wheelchair user
- Complies with Part M of the Building Regulations (two tap hole only)
- Wall fixings included
- No overflow

Finish options

WH

White
RAL 9016

Product description

Standard Doc M basin, two tap holes, no overflow, white
Standard Doc M basin, central tap hole, no overflow, white

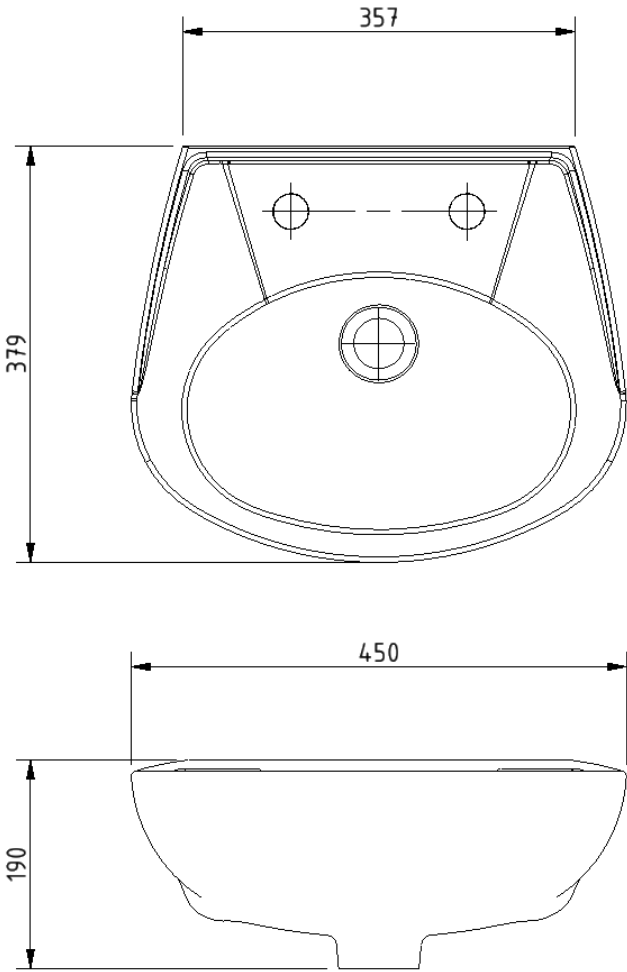
Product code

B-BWBASIN-SAN
B-BASI1TH-SAN

Disclaimer

NYMAS Group makes every effort to ensure that the information provided on this data sheet is correct. However, we cannot guarantee this, and accept no liability for any information or advice given on this data sheet.

Dimensions (mm)



FOR TAP HOLE POSITION DIMENSIONS SEE PRODUCT SPECIFIC MARKETING DRAWING

Polished chrome sequential basin mixer tap



Product details

| | |
|---|--------------------------|
| Warranty: | 2 years |
| Max rated load: | n/a |
| Doc M compliant: | Yes |
| Suitable for wet areas: | Yes |
| Flexi tap tail connection (to tap body): | M10 Thread |
| Flexi tap tail (onward connection): | 3/4 Inch Diameter Thread |

Features

- Reg 4 Certified (WRAS, NSF, Kiwa, etc.)
- Easy operation for users with limited dexterity
- Cold start

Finish options



Polished chrome

Product description

Sequential basin mixer tap, polished chrome

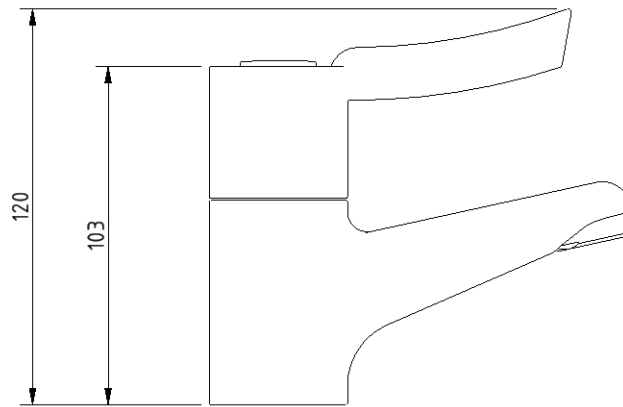
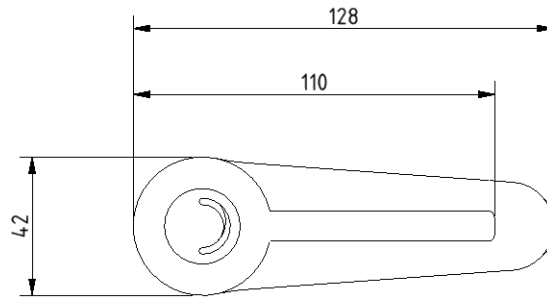
Product code

BPLMON

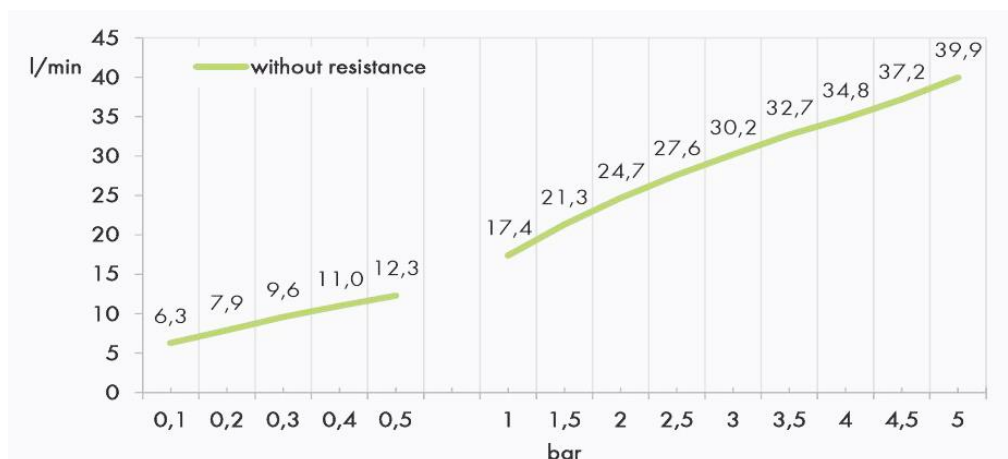
Disclaimer

NYMAS Group makes every effort to ensure that the information provided on this data sheet is correct. However, we cannot guarantee this, and accept no liability for any information or advice given on this data sheet.

Dimensions (mm)



Flow Rate Curve



Procedure:

Flow Determination

Pressure:

3,0 Bar

Cold:

18,9 l/min

Hot:

19 l/min

To 38 deg C:

26 l/min

Basin waste with stainless steel grid, no plug



Product details

Warranty: 2years

Max rated load: n/a

Doc M compliant: n/a

Suitable for wet areas: Yes

Features

- Quick and simple installation
- Manufactured from high quality materials
- Stainless steel grid
- Plastic Body

Finish options

Not applicable

Product description

Basin waste with stainless steel grid, no plug

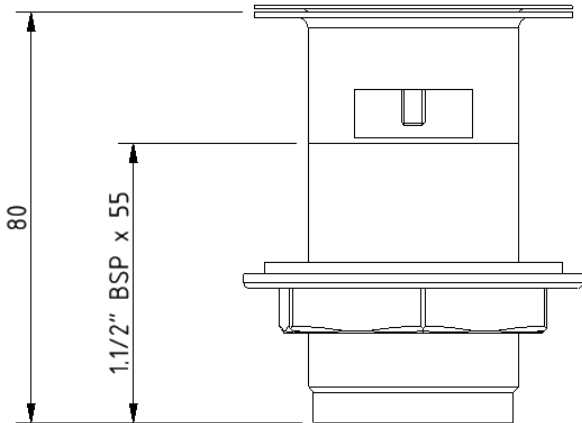
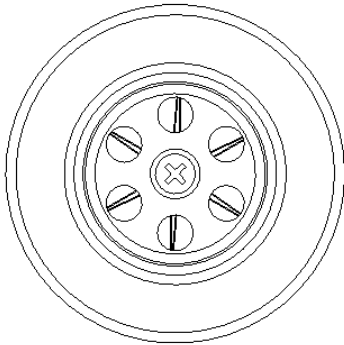
Product code

P-000241-X00X

Disclaimer

NYMAS Group makes every effort to ensure that the information provided on this data sheet is correct. However, we cannot guarantee this, and accept no liability for any information or advice given on this data sheet.

Dimensions (mm)



Chrome plated hole stopper



Product details

Warranty: 2 years

Max rated load: n/a

Doc M compliant: n/a

Suitable for wet areas: Yes

Features

- Supplied with Locknut
- To suit 13mm (1/2") Hole
- Easy to fit

Finish options



Polished
chrome

Product description

Chrome plated hole stopper

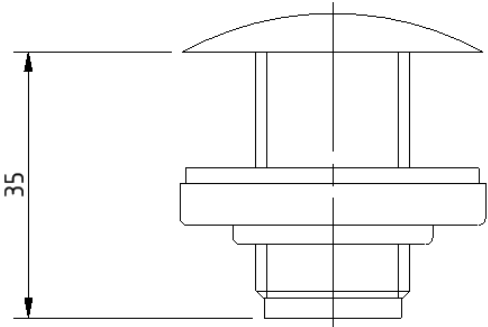
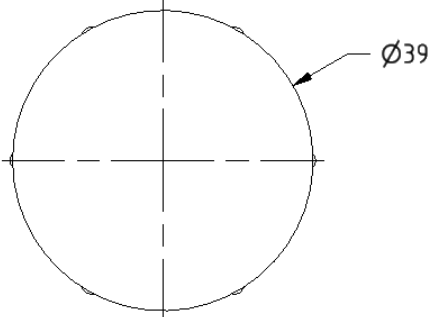
Product code

P-000239-X00X

Disclaimer

NYMAS Group makes every effort to ensure that the information provided on this data sheet is correct. However, we cannot guarantee this, and accept no liability for any information or advice given on this data sheet.

Dimensions (mm)



TMV3 inline thermostatic mixing valve



Product details

| | |
|--------------------------------|---------|
| Warranty: | 2 years |
| Max rated load: | n/a |
| Doc M compliant: | Yes |
| Suitable for wet areas: | Yes |

Features

- TMV3 approved & Reg 4 Certified (WRAS, NSF, Kiwa, etc.)
- Complies with Part M of the Building Regulations
- Building Regulations Part G compliant
- Highly resistant to scaling
- Anti-tamper proof head

Finish options



CP

Polished
chrome

Product description

TMV3 inline thermostatic mixing valve - 15mm

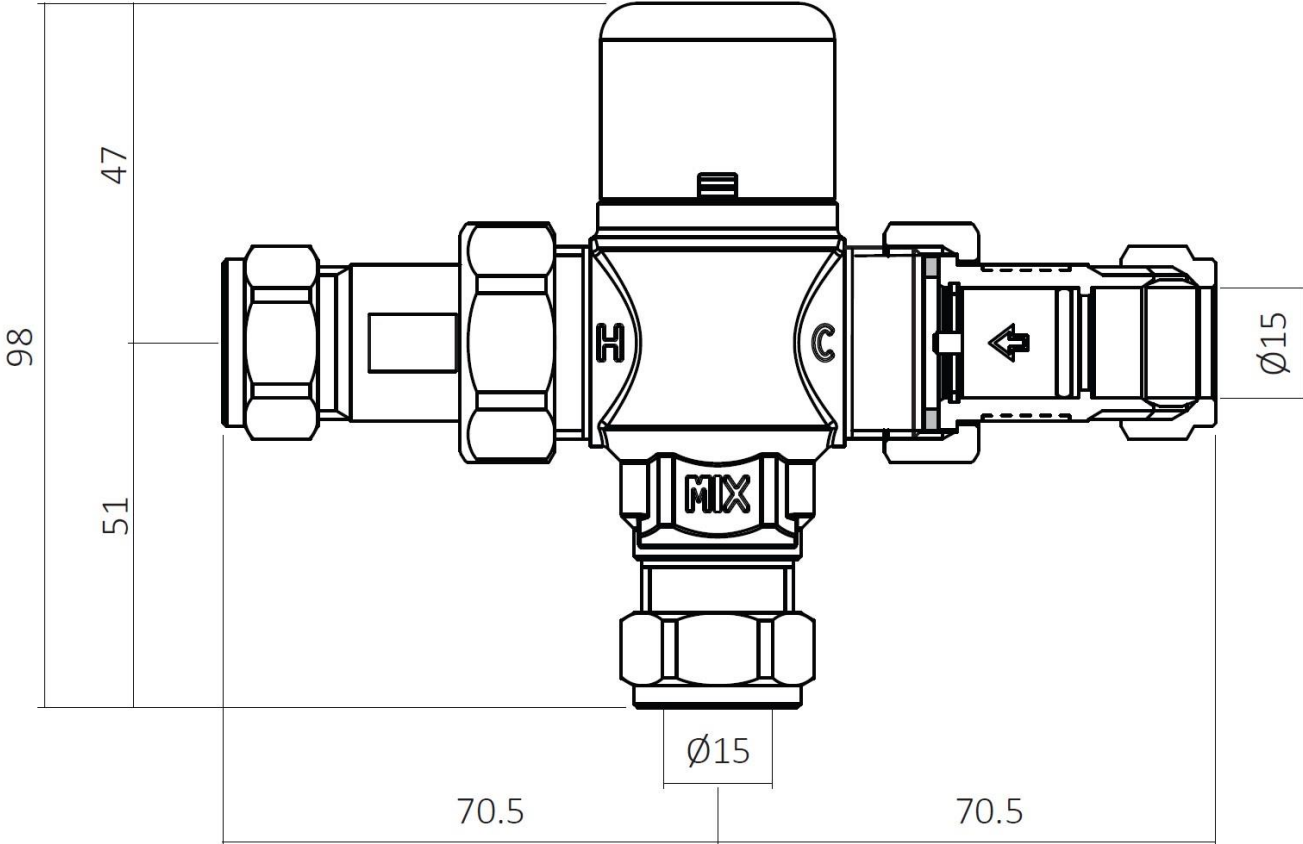
Product code

BPLTMV

Disclaimer

NYMAS Group makes every effort to ensure that the information provided on this data sheet is correct. However, we cannot guarantee this, and accept no liability for any information or advice given on this data sheet.

Dimensions (mm)



TMV3 thermostatic mixer tap



Product details

| | |
|--------------------------------|-----------------|
| Warranty: | 5 years |
| Max rated load: | n/a |
| Doc M compliant: | Yes |
| Suitable for wet areas: | Yes |
| Max Inlet Temp: | 85°C |
| Factory Set Temp: | 43°C |
| Max Operating Pressure: | 10 BAR Static |
| Min Inlet Pressure: | 0.2 BAR Dynamic |

Features

- Reg 4 Certified (WRAS, NSF, Kiwa, etc.)
- Safe touch body
- Copper inlet tails
- Self-draining spout
- Complies with Part M of the Building Regulations
- Easy operation for users with limited dexterity

Finish options



Polished
chrome

Product description

TMV3 thermostatic mixer tap, polished chrome

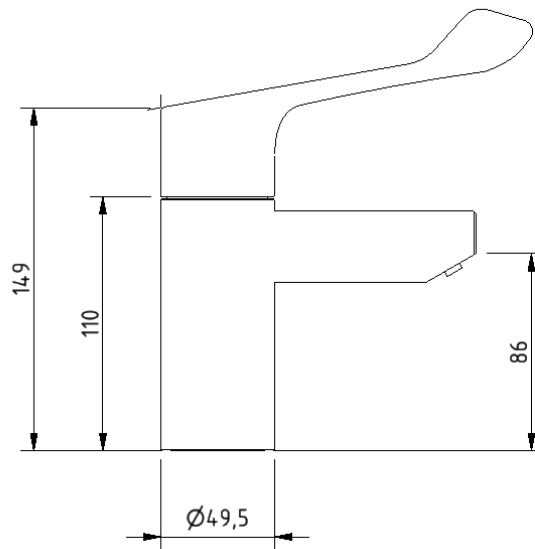
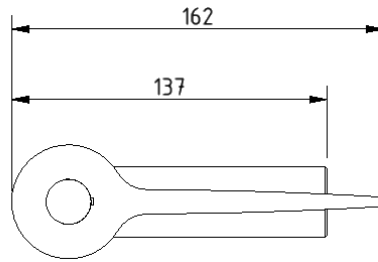
Product code

TAPTMV/CP

Disclaimer

NYMAS Group makes every effort to ensure that the information provided on this data sheet is correct. However, we cannot guarantee this, and accept no liability for any information or advice given on this data sheet.

Dimensions (mm)



FLOW RATE FOR TAPT MV

