

## Wall hung Doc M toilet pack with stainless steel concealed fixing grab rails



### Product details

**Warranty:** See individual products

**Max rated load:** See individual products

**Doc M compliant:** Yes

**Suitable for wet areas:** Yes

### Features

- Complies with Part M of the Building Regulations
- Inlet valve and syphon Reg 4 Certified (WRAS, NSF, Kiwa, etc.)
- Concealed fixing stainless steel grab rails
- Universal - suitable for left or right handed transfer
- Simple one box solution

### Finish options



Satin  
Stainless Steel



Polished  
Stainless Steel

### Product description

Wall hung Doc M toilet pack, stainless steel, concealed fixings, satin

Wall hung Doc M toilet pack, stainless steel, concealed fixings, polished

### Product code

DM830KCS/SS

DM830KCS/SP

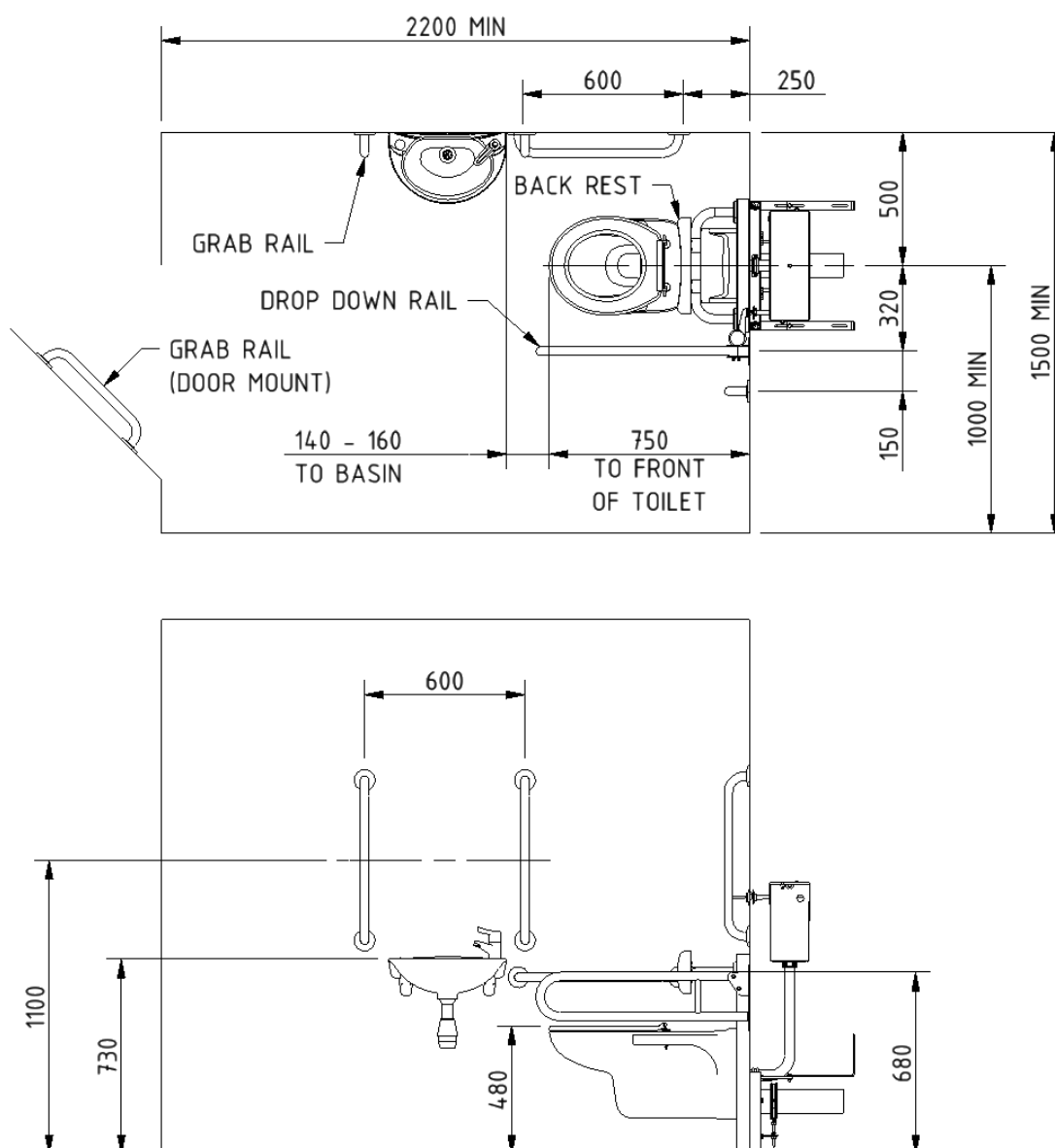
### Disclaimer

NYMAS Group makes every effort to ensure that the information provided on this data sheet is correct. However, we cannot guarantee this, and accept no liability for any information or advice given on this data sheet.

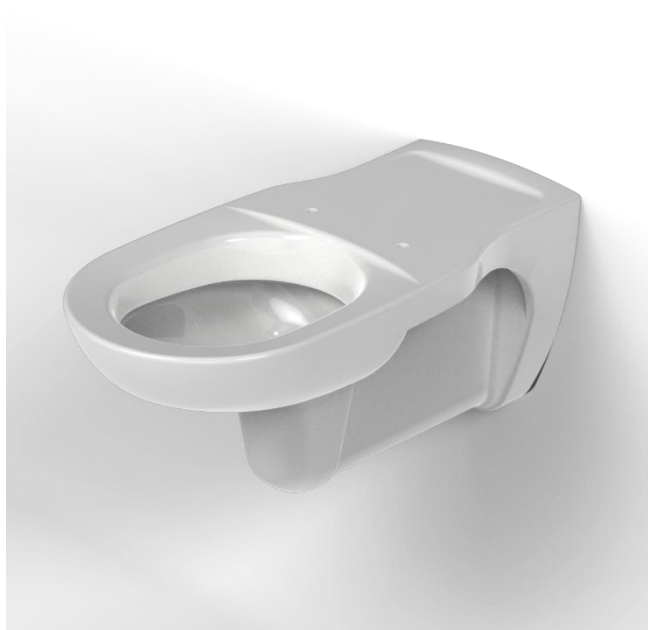
## Pack contents

- 4 x 600mm stainless steel grab rails with concealed fixings
- 1 x 450mm stainless steel grab rail with concealed fixings
- 1 x 800mm stainless steel hinged support rail
- 1 x 220mm stainless steel back rest rail and pad with concealed fixing
- 1 x Wall hung box rim Doc M pan
- 1 x Floor mounting frame for wall hung pan
- 1 x Concealed cistern with fittings, flush pipe, and Doc M concealed cistern spatula lever
- 1 x Ring only toilet seat
- 1 x Two tap hole basin
- 1 x Sequential basin mixer tap
- 1 x Tap hole stopper
- 1 x Basin waste

## Dimensions (mm)



## Wall hung Doc M pan



### Product details

<b>Warranty:</b>	5 years
<b>Max rated load:</b>	n/a
<b>Doc M compliant:</b>	Yes
<b>Suitable for wet areas:</b>	Yes

### Features

- Extended projection to aid compliance with Part M of the Building Regulations
- UKCA and CE compliant
- Contemporary feel

For 750mm projection, wall should be built out by 50mm

## Finish options



White  
RAL 9016

## Product description

Wall hung Doc M pan, 700mm projection, no fixings, white

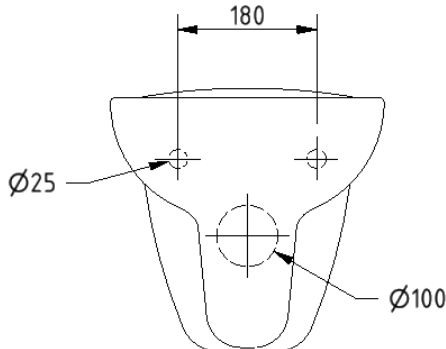
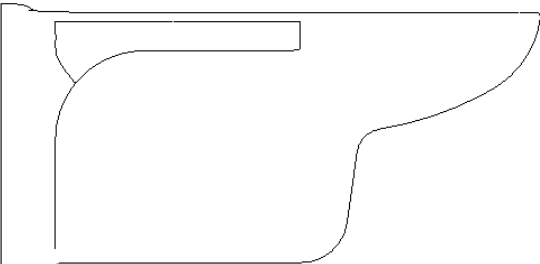
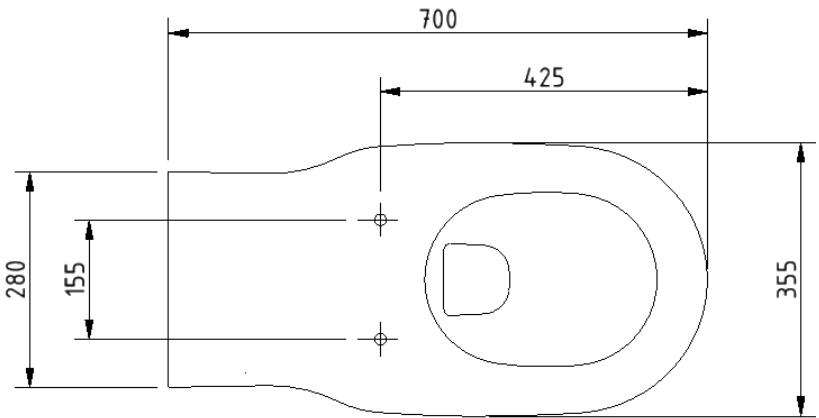
## Product code

PANWH70

## Disclaimer

NYMAS Group makes every effort to ensure that the information provided on this data sheet is correct. However, we cannot guarantee this, and accept no liability for any information or advice given on this data sheet.

Dimensions (mm)



## Low frame unit for wall hung pan



### Product details

<b>Warranty:</b>	5 years
<b>Max rated load:</b>	350 kg
<b>Doc M compliant:</b>	Yes
<b>Suitable for wet areas:</b>	Yes

### Features

- Come with flush pipe and WC pan connector clamps
- Adjustable legs for WC pan height fixing flexibility
- Wall and floor fixing brackets can be fixed through 180 degrees and 360 degrees to simplify installation
- Strong steel tubular section

### Finish options



Grey  
RAL 7005

### Product description

Low frame unit for wall hung pan

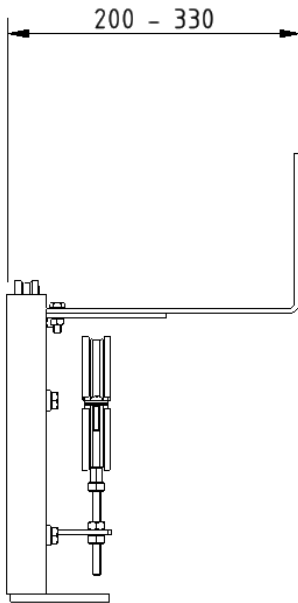
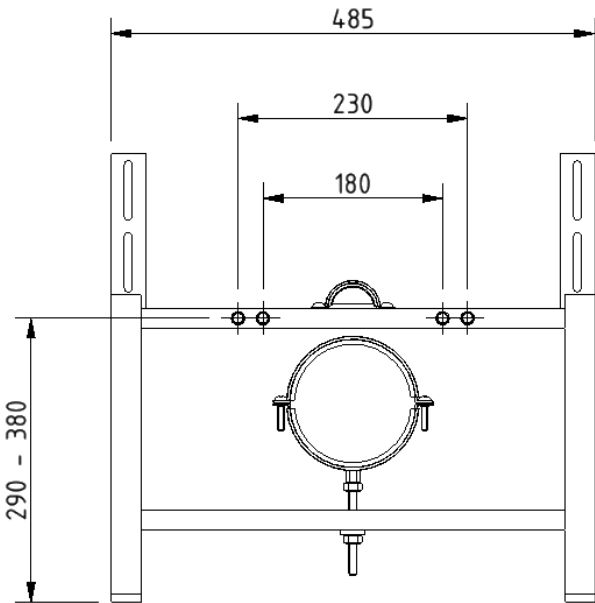
### Product code

B-WALLHUNGFRAME

### Disclaimer

NYMAS Group makes every effort to ensure that the information provided on this data sheet is correct. However, we cannot guarantee this, and accept no liability for any information or advice given on this data sheet.

Dimensions (mm)



## Toilet seat, ring only, stainless steel pillar hinge



### Product details

<b>Warranty:</b>	2 years
<b>Max rated load:</b>	150 kg
<b>Doc M compliant:</b>	Yes
<b>Suitable for wet areas:</b>	Yes

### Features

- Complies with Part M of the Building Regulations
- Anti-bacterial, strong and durable Duroplast seat
- Ergonomic and comfortable shape
- Stainless steel hinge (bottom fix as standard)  
Additional hinge pack to convert to top fix: NY-TOPFIXHINGE
- Adjustable locating buffers
- Fits close coupled, low level, back to wall and wall hung pans

### Finish options



White  
RAL 9016



Dark blue  
RAL 5011



Dark grey  
RAL 7016



Grey  
RAL 7005

### Product description

Toilet seat, ring only, stainless steel pillar hinge, dark blue (RAL 5011)
Toilet seat, ring only, stainless steel pillar hinge, dark grey (RAL 7016)
Toilet seat, ring only, stainless steel pillar hinge, grey (RAL 7005)
Toilet seat, ring only, stainless steel pillar hinge, white (RAL 9016)

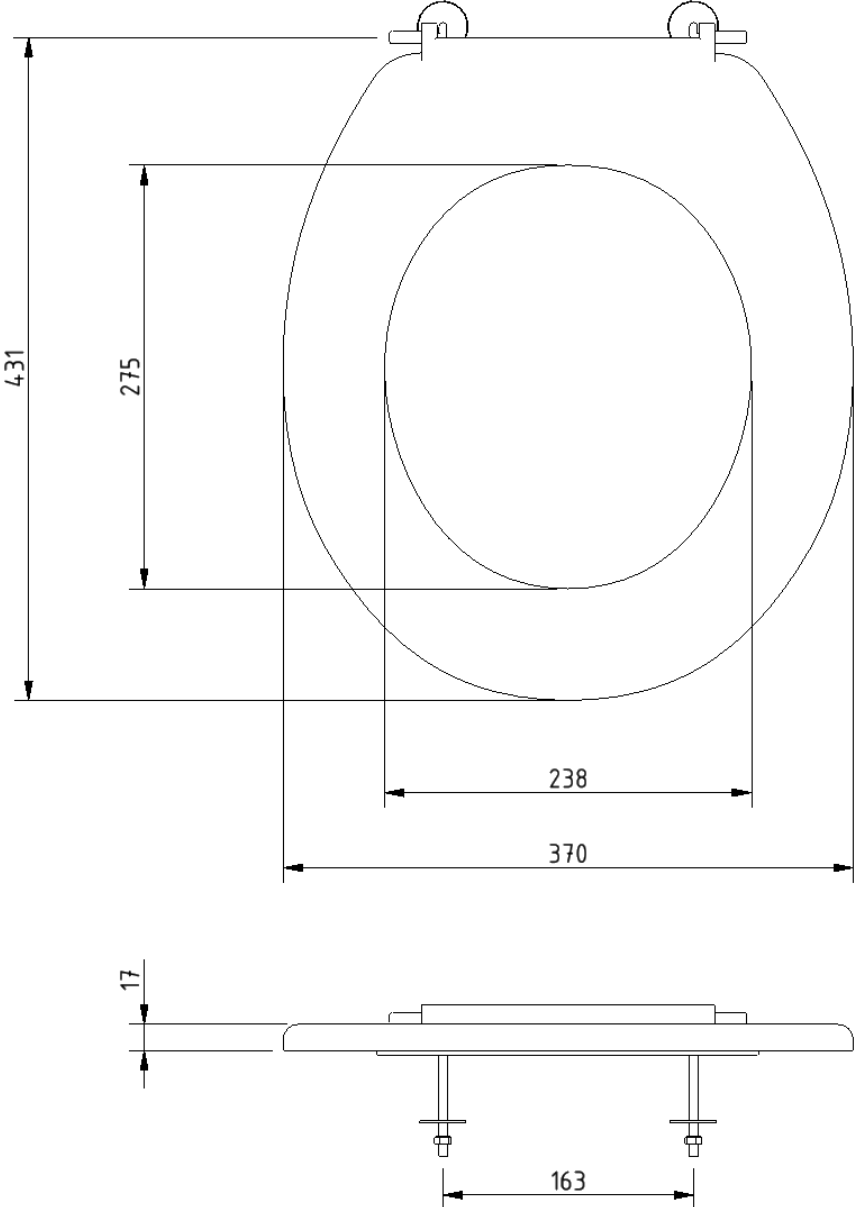
### Product code

260015/DB
260015/DG
260015/GY
260015/WH

### Disclaimer

NYMAS Group makes every effort to ensure that the information provided on this data sheet is correct. However, we cannot guarantee this, and accept no liability for any information or advice given on this data sheet.

**Dimensions (mm)**





## Concealed cistern and fittings



### Product details

**Warranty:** 2 years

**Max rated load:** N/A

**Doc M compliant:** N/A

**Suitable for wet areas:** Yes

### Features

- Syphon and inlet valve Reg 4 Certified (WRAS, NSF, Kiwa, etc.)
- Top access
- 6 litre flush
- Internal / external overflow warning
- High density polystyrene construction

Does not come with flush lever or flush pipe

### Product description

Concealed cistern and fittings, no lever or flush pipe

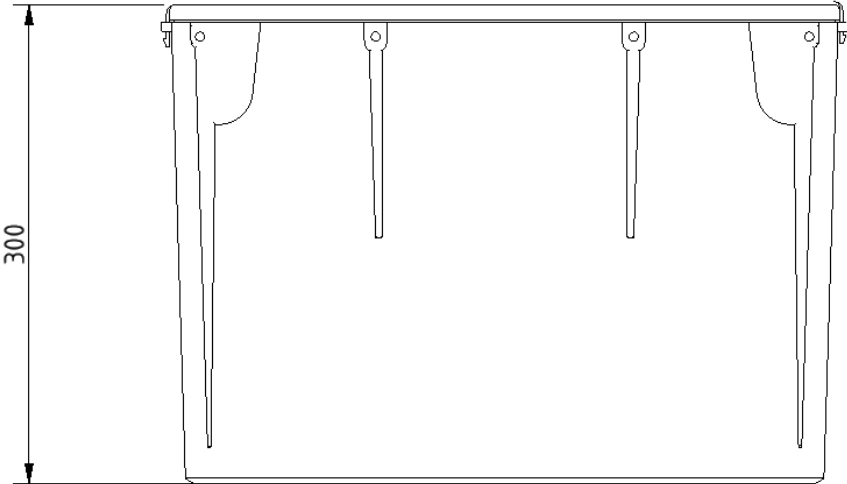
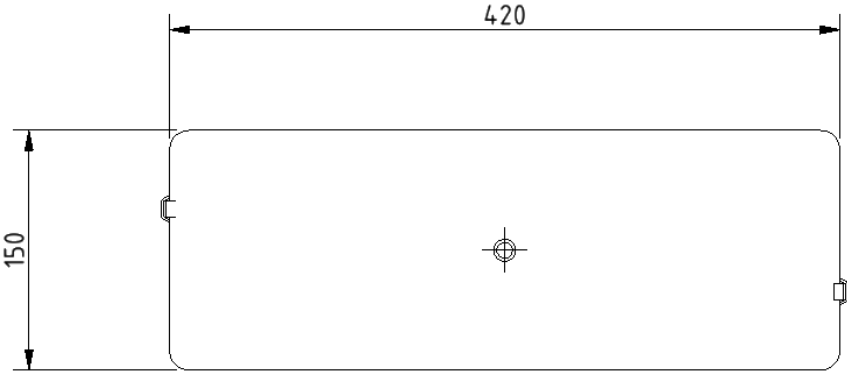
### Product code

B-CISTHIDE

### Disclaimer

NYMAS Group makes every effort to ensure that the information provided on this data sheet is correct. However, we cannot guarantee this, and accept no liability for any information or advice given on this data sheet.

**Dimensions (mm)**



## Concealed cistern spatula lever



### Product details

**Warranty:** 2 years

**Max rated load:** n/a

**Doc M compliant:** Yes

**Suitable for wet areas:** Yes

### Features

- Complies with Part M of the Building Regulations
- Easy operation for users with limited dexterity
- For use with concealed cisterns

## Finish options



Polished  
chrome

## Product description

Concealed cistern spatula lever, 215mm spindle, polished chrome

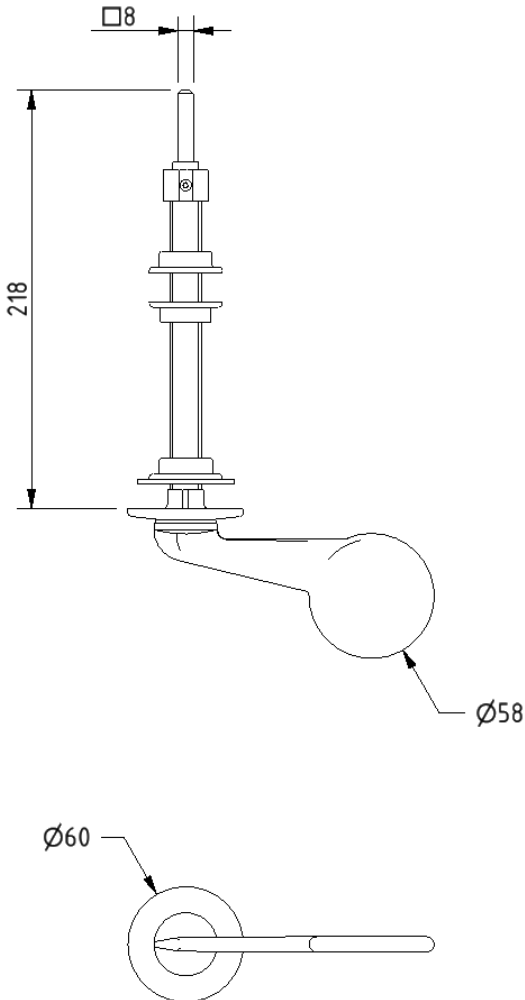
## Product code

P-000243-X00X

## Disclaimer

NYMAS Group makes every effort to ensure that the information provided on this data sheet is correct. However, we cannot guarantee this, and accept no liability for any information or advice given on this data sheet.

Dimensions (mm)



## Compact Doc M basin



### Product details

<b>Warranty:</b>	Lifetime
<b>Max rated load:</b>	n/a
<b>Doc M compliant:</b>	Yes
<b>Suitable for wet areas:</b>	Yes

### Features

- Two tap holes for left or right handed configuration
- Compact design to maximise space for a wheelchair user
- Complies with Part M of the Building Regulations
- No overflow

Does not come with wall fixings (P-000248-X00X)

## Finish options

**WH**

White  
RAL 9016

## Product description

Compact Doc M basin, two tap holes, no overflow, white

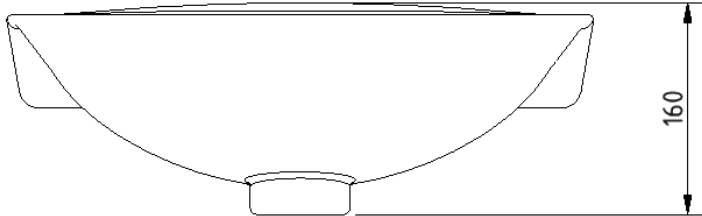
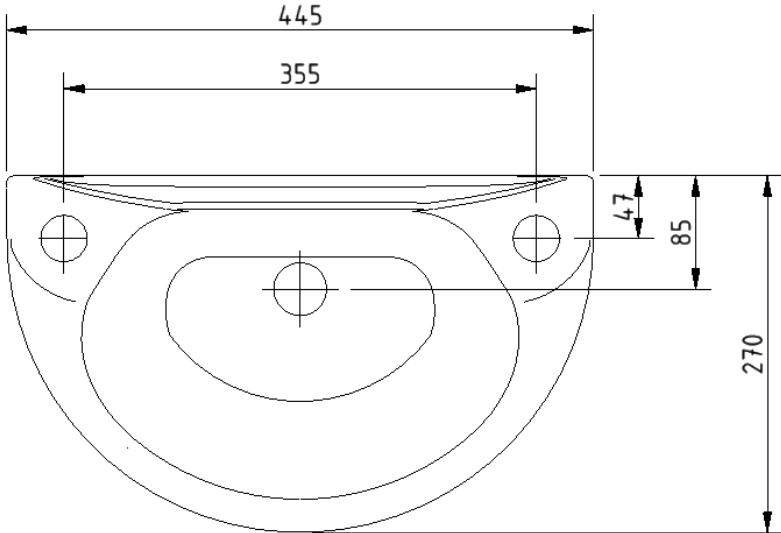
## Product code

NY01-SW-00120-WH

## Disclaimer

NYMAS Group makes every effort to ensure that the information provided on this data sheet is correct. However, we cannot guarantee this, and accept no liability for any information or advice given on this data sheet.

Dimensions (mm)



## Polished chrome sequential basin mixer tap



### Product details

<b>Warranty:</b>	2 years
<b>Max rated load:</b>	n/a
<b>Doc M compliant:</b>	Yes
<b>Suitable for wet areas:</b>	Yes
<b>Flexi tap tail connection (to tap body):</b>	M10 Thread
<b>Flexi tap tail (onward connection):</b>	3/4 Inch Diameter Thread

### Features

- Reg 4 Certified (WRAS, NSF, Kiwa, etc.)
- Easy operation for users with limited dexterity
- Cold start

### Finish options



Polished  
chrome

### Product description

Sequential basin mixer tap, polished chrome

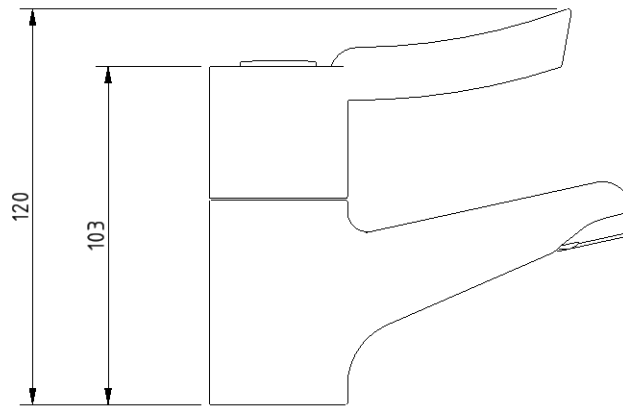
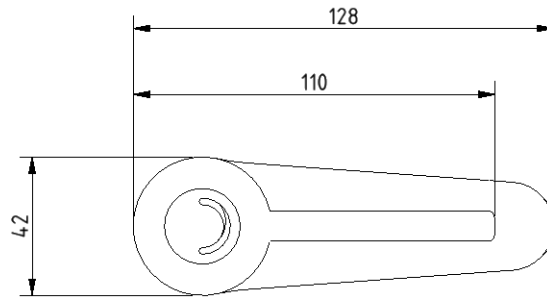
### Product code

BPLMON

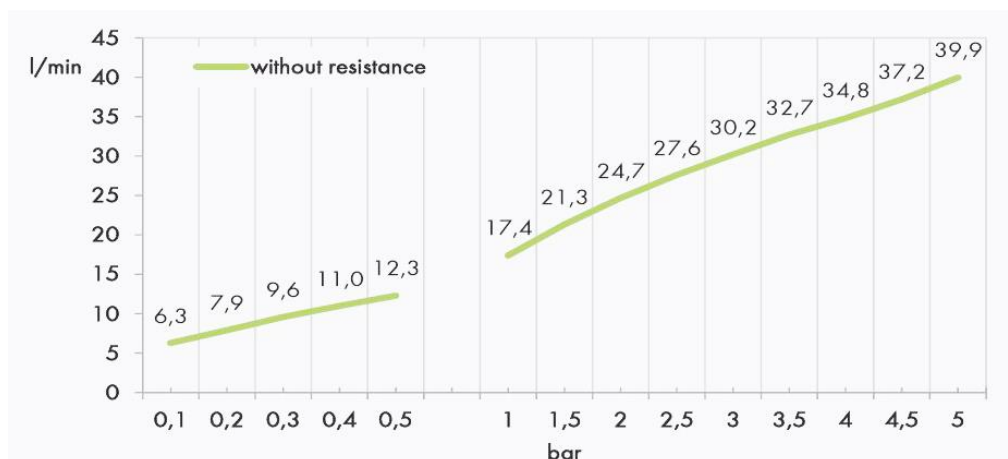
### Disclaimer

NYMAS Group makes every effort to ensure that the information provided on this data sheet is correct. However, we cannot guarantee this, and accept no liability for any information or advice given on this data sheet.

## Dimensions (mm)



## Flow Rate Curve



Procedure:

Flow Determination

Pressure:

3,0 Bar

Cold:

18,9 l/min

Hot:

19 l/min

To 38 deg C:

26 l/min



## Basin waste with stainless steel grid, no plug



### Product details

Warranty: 2years

Max rated load: n/a

Doc M compliant: n/a

Suitable for wet areas: Yes

### Features

- Quick and simple installation
- Manufactured from high quality materials
- Stainless steel grid
- Plastic Body

### Finish options

Not applicable

### Product description

Basin waste with stainless steel grid, no plug

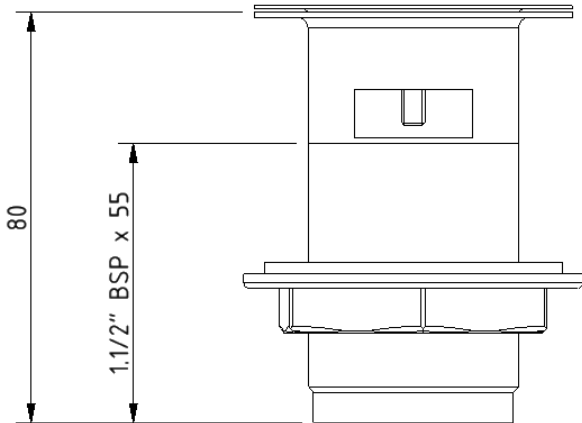
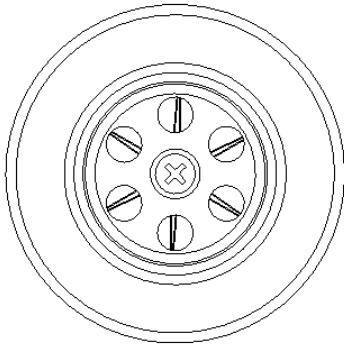
### Product code

P-000241-X00X

### Disclaimer

NYMAS Group makes every effort to ensure that the information provided on this data sheet is correct. However, we cannot guarantee this, and accept no liability for any information or advice given on this data sheet.

Dimensions (mm)



## Chrome plated hole stopper



### Product details

Warranty: 2 years

Max rated load: n/a

Doc M compliant: n/a

Suitable for wet areas: Yes

### Features

- Supplied with Locknut
- To suit 13mm (1/2") Hole
- Easy to fit

### Finish options



Polished  
chrome

### Product description

Chrome plated hole stopper

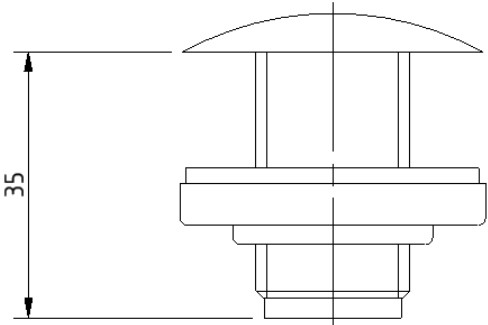
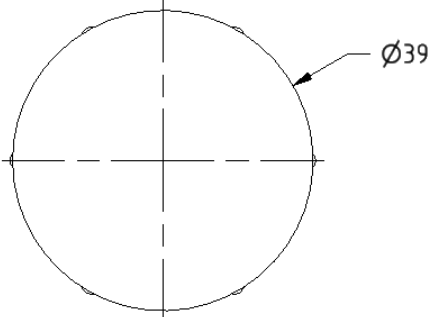
### Product code

P-000239-X00X

### Disclaimer

NYMAS Group makes every effort to ensure that the information provided on this data sheet is correct. However, we cannot guarantee this, and accept no liability for any information or advice given on this data sheet.

**Dimensions (mm)**



## Basin hanging brackets



### Product details

**Warranty:** 2 years

**Max rated load:** n/a

**Doc M compliant:** n/a

**Suitable for wet areas:** No

### Features

- Basin hanging brackets for compact Doc M basin (NY01-SW-00120-WH)
- Strong steel construction

### Product description

Basin hanging brackets

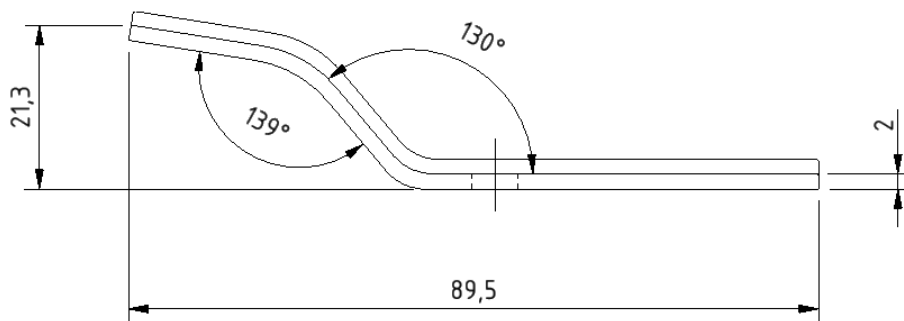
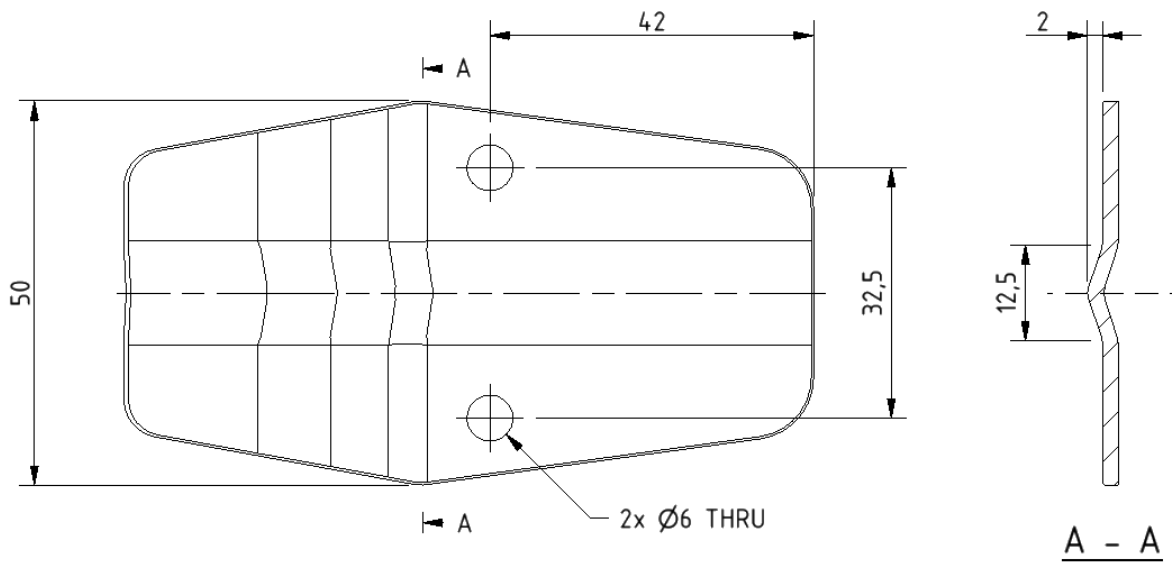
### Product code

P-000248-X00X

### Disclaimer

NYMAS Group makes every effort to ensure that the information provided on this data sheet is correct. However, we cannot guarantee this, and accept no liability for any information or advice given on this data sheet.

## Dimensions (mm)



## Round flange stainless steel grab rail with concealed fixings, 32mm diameter



### Product details

**Warranty:** 5 years

**Max rated load:** 200 kg

**Doc M compliant:** Yes

**Suitable for wet areas:** Yes

### Features

- Non-corrosive stainless steel construction
- Concealed fixings
- Complies with Part M of the Building Regulations

### Finish options



Satin  
Stainless Steel



Polished  
Stainless Steel

### Product description

Grab rail, stainless steel, concealed fixings, 32mm diameter, 300mm, polished  
 Grab rail, stainless steel, concealed fixings, 32mm diameter, 300mm, satin  
 Grab rail, stainless steel, concealed fixings, 32mm diameter, 450mm, polished  
 Grab rail, stainless steel, concealed fixings, 32mm diameter, 450mm, satin  
 Grab rail, stainless steel, concealed fixings, 32mm diameter, 600mm, polished  
 Grab rail, stainless steel, concealed fixings, 32mm diameter, 600mm, satin  
 Grab rail, stainless steel, concealed fixings, 32mm diameter, 900mm, polished  
 Grab rail, stainless steel, concealed fixings, 32mm diameter, 900mm, satin

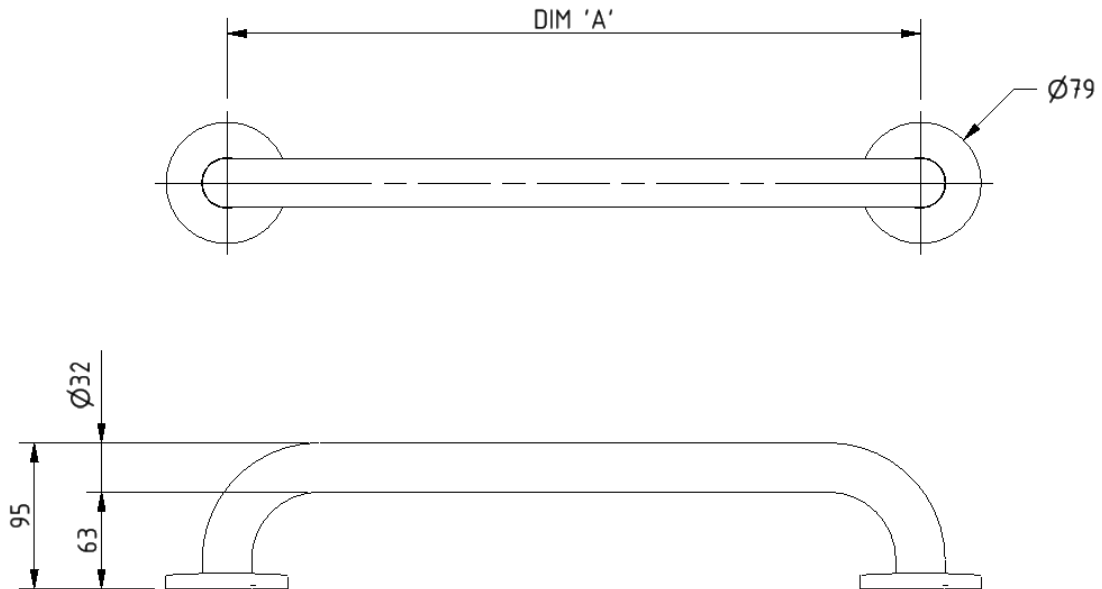
### Product code

GR-12/32C/SP  
 GR-12/32C/SS  
 GR-18/32C/SP  
 GR-18/32C/SS  
 GR-24/32C/SP  
 GR-24/32C/SS  
 211090/SP  
 211090/SS

### Disclaimer

NYMAS Group makes every effort to ensure that the information provided on this data sheet is correct. However, we cannot guarantee this, and accept no liability for any information or advice given on this data sheet.

## Dimensions (mm)



PRODUCT CODE	GR-12/32C**	GR-18/32C**	GR-24/32C**	211090/**
DIM 'A'	300	450	600	900



## Stainless steel lift and lock hinged support rail



### Product details

Warranty:	5 years
Max rated load:	135 kg
Doc M compliant:	Yes
Suitable for wet areas:	Yes

### Features

- Complies with Part M of the Building Regulations
- Lift and lock folding mechanism
- Non-corrosive stainless steel construction
- Toilet roll holder (optional)

### Finish options



White  
RAL 9016



Dark blue  
RAL 5011



Dark grey  
RAL 7016



Grey  
RAL 7005



Satin  
Stainless Steel



Polished  
Stainless Steel

### Product description

Hinged lift and lock support rail, stainless steel, 650mm  
Hinged lift and lock support rail, stainless steel, 800mm,

### Product code

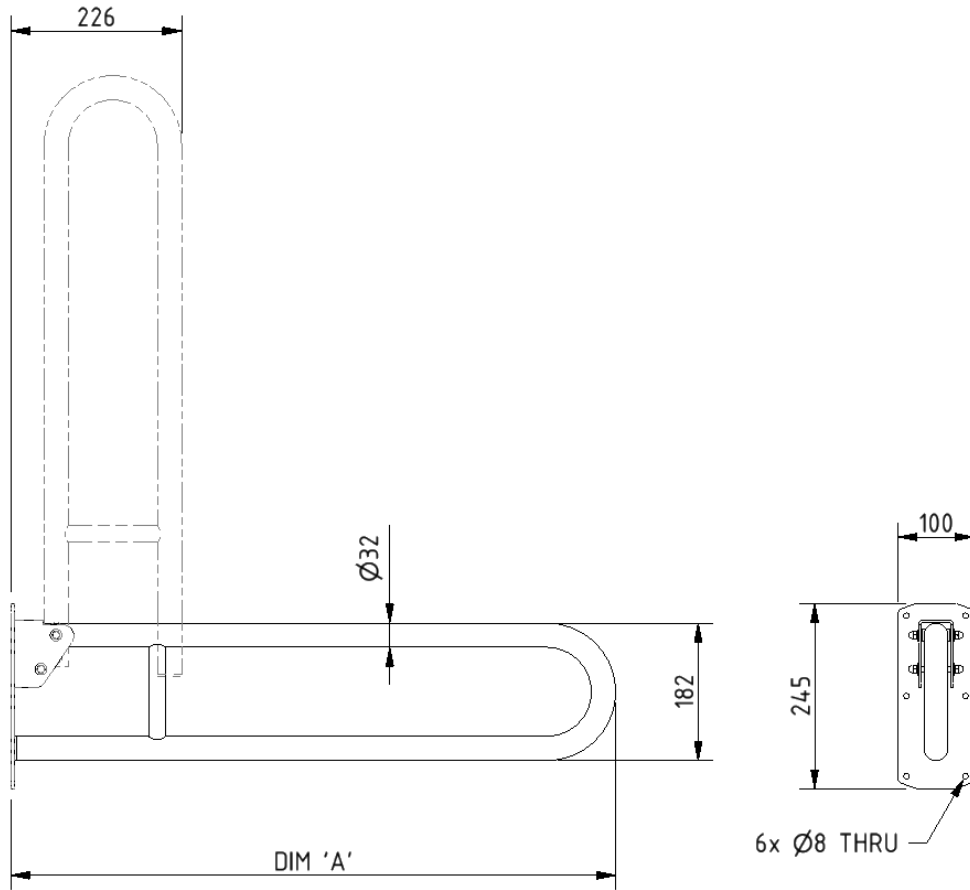
211865/\*\*  
211880/\*\*

Replace \*\* with finish option code above e.g., 211880/DB

### Disclaimer

NYMAS Group makes every effort to ensure that the information provided on this data sheet is correct. However, we cannot guarantee this, and accept no liability for any information or advice given on this data sheet.

## Dimensions (mm)



PRODUCT CODE	211865/**	211880/**
DIM 'A'	650	800

## Stainless steel back rest rail with concealed fixings and white pad



### Product details

<b>Warranty:</b>	5 years
<b>Max rated load:</b>	n/a
<b>Doc M compliant:</b>	Yes
<b>Suitable for wet areas:</b>	Yes

### Features

- Complies with Part M of the Building Regulations
- Non-corrosive stainless steel construction
- Durable wipe clean polyurethane pad
- Closed cell polyurethane construction for maximum hygiene and comfort
- Saddle clips for fixing pad to rail

### Finish options



**WH**

White  
RAL 9016



**DB**

Dark blue  
RAL 5011



**DG**

Dark grey  
RAL 7016



**GY**

Grey  
RAL 7005



**SS**

Satin  
Stainless Steel



**SP**

Polished  
Stainless Steel

### Product description

Back rest rail with white pad, stainless steel, 220mm projection, concealed fixings

Back rest rail with white pad, stainless steel, 270mm projection, concealed fixings

### Product code

BR-220SC/\*\*

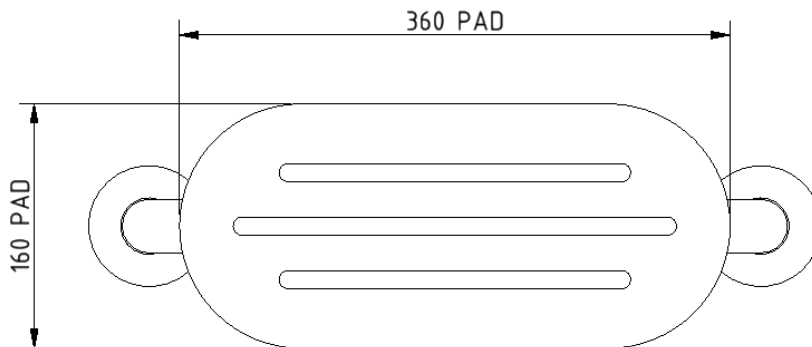
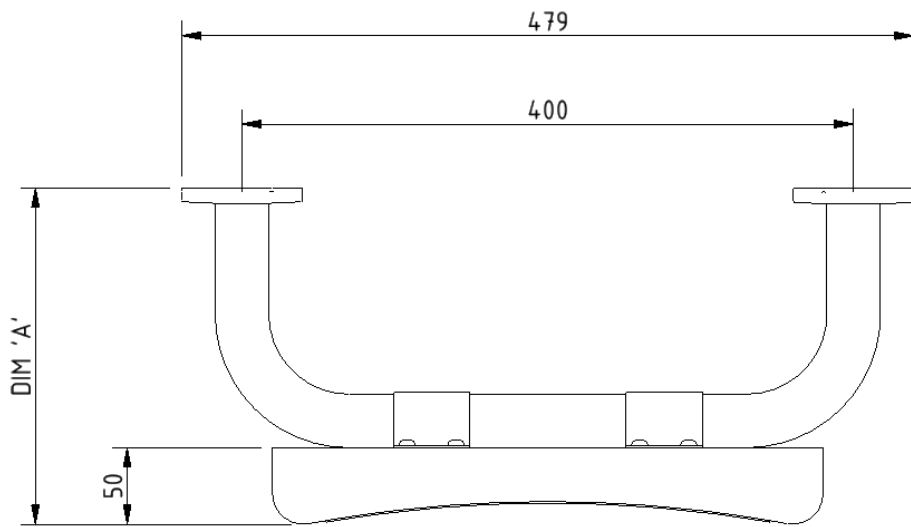
BR-270SC/\*\*

Replace \*\* with finish option code above e.g., BR-220SC/DB

### Disclaimer

NYMAS Group makes every effort to ensure that the information provided on this data sheet is correct. However, we cannot guarantee this, and accept no liability for any information or advice given on this data sheet.

## Dimensions (mm)



PRODUCT CODE	BR-220SC/**	BR-270SC/**
DIM 'A'	220	270