

Low level Doc M toilet pack with steel concealed fixing grab rails



Product details

Warranty:	See individual products
Max rated load:	See individual products
Doc M compliant:	Yes
Suitable for wet areas:	No

Features

- Complies with Part M of the Building Regulations
- Inlet valve and syphon Reg 4 Certified (WRAS, NSF, Kiwa, etc.)
- Concealed Fixing Grab Rails
- Optional TMV3 Valve (DM315/** & DM315/LC/**)
- Universal - suitable for left or right handed transfer
- Simple one box solution

Finish options



WH

White
RAL 9016



DB

Dark blue
RAL 5011



DG

Dark grey
RAL 7016



GY

Grey
RAL 7005

Product description

Low level Doc M toilet pack, steel, concealed fixings

Low level Doc M toilet pack, steel, concealed fixings, TMV3 valve

Low level Doc M toilet pack, lockable cistern lid, steel, concealed fixings

Low level Doc M toilet pack, lockable cistern lid, steel, concealed fixings, TMV3 valve

Product code

DM215KC/**

DM315KC/**

DM215KC/LC/**

DM315K/LC/**

Replace ** with finish option code above e.g., DM215KC/DB

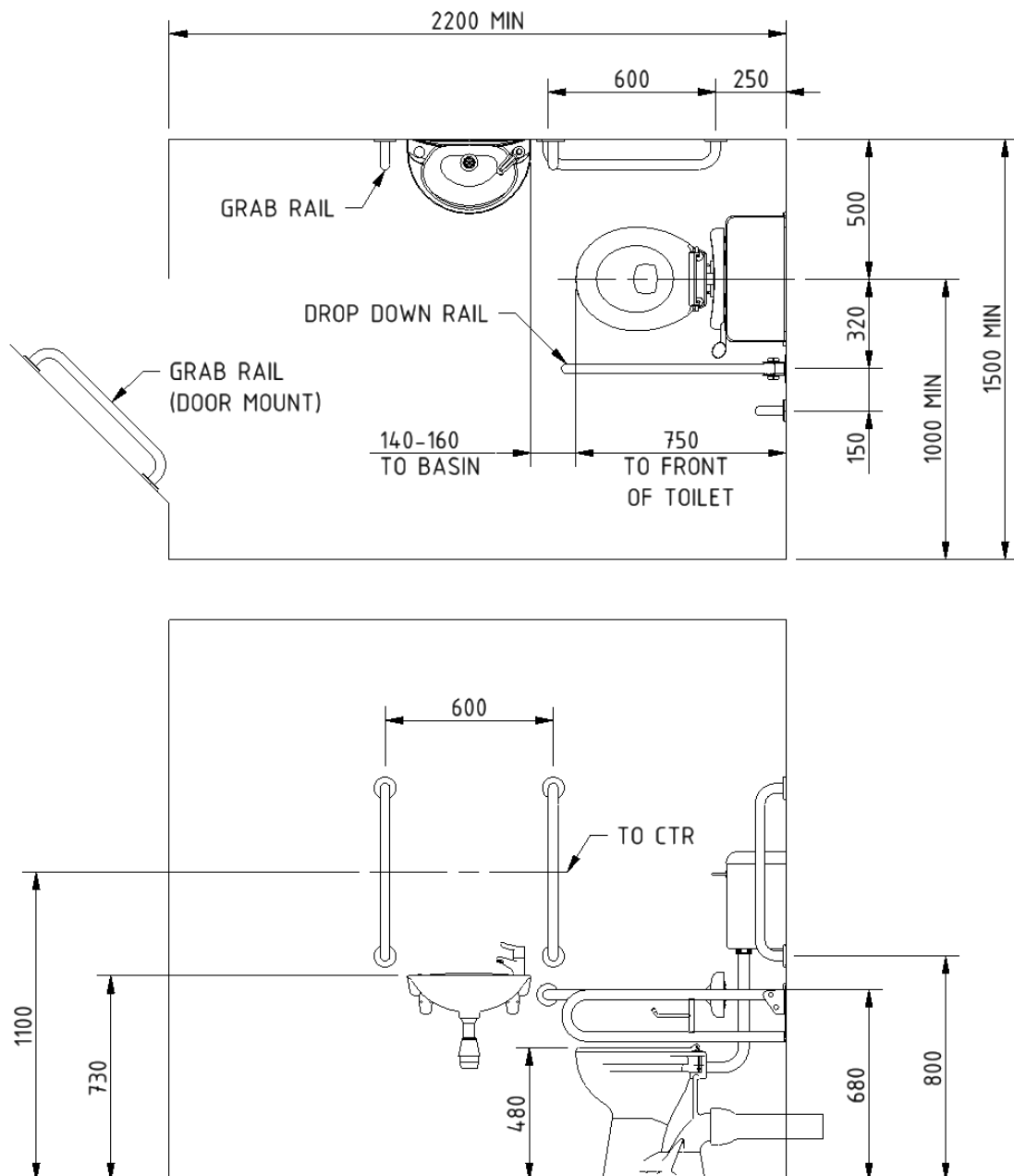
Disclaimer

NYMAS Group makes every effort to ensure that the information provided on this data sheet is correct. However, we cannot guarantee this, and accept no liability for any information or advice given on this data sheet.

Pack contents

- 5 x 600mm coated steel grab rails with concealed fixings
- 1 x 800mm coated steel hinged support rail with toilet roll holder
- 1 x 270mm coated steel back rest rail and pad with concealed fixings
- 1 x Low level box rim Doc M pan
- 1 x Low level cistern with fittings, flush pipe, and Doc M spatula lever (Optional lockable lid - DMx15/LC/**)
- 1 x Ring only toilet seat
- 1 x Two tap hole basin
- 1 x Sequential basin mixer tap
- 1 x Tap hole stopper
- 1 x Basin waste
- 1 x TMV3 Valve (DM315/** & DM315/LC/** only)

Dimensions (mm)



Low level box rim Doc M pan



Product details

Warranty:	Lifetime
Max rated load:	400 kg
Doc M compliant:	Yes
Suitable for wet areas:	Yes

Features

- Complies with Part M of the Building Regulations
- UKCA and CE compliant
- Comfort height to allow easier side transfer from wheelchair

Finish options

WH

White
RAL 9016

Product description

Low level box rim Doc M pan, white

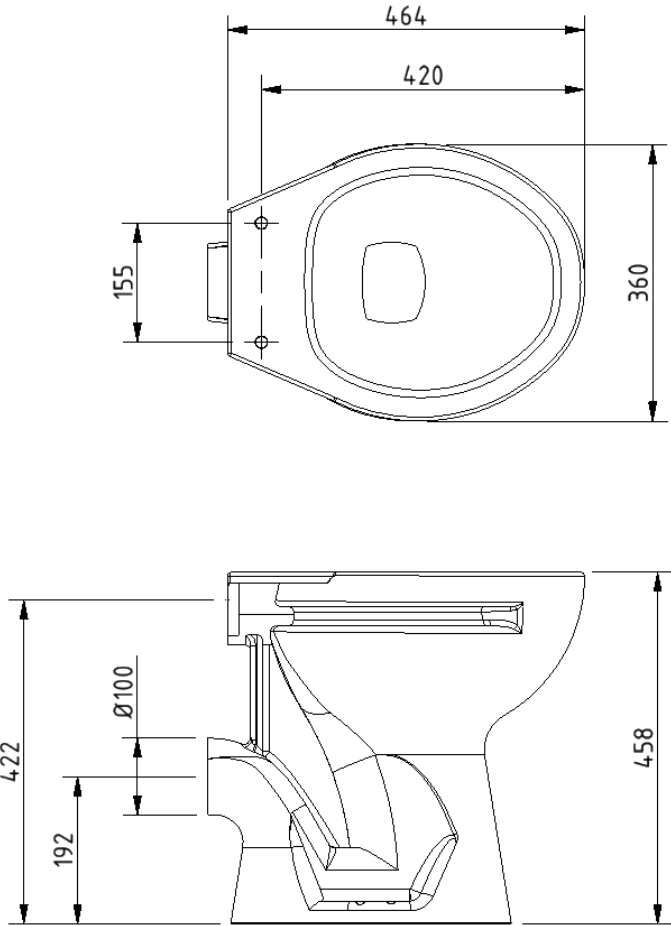
Product code

B-BWPANLL-1

Disclaimer

NYMAS Group makes every effort to ensure that the information provided on this data sheet is correct. However, we cannot guarantee this, and accept no liability for any information or advice given on this data sheet.

Dimensions (mm)



Low level cistern for box rim pan



Product details

Warranty:	Lifetime
Max rated load:	n/a
Doc M compliant:	Yes
Suitable for wet areas:	Yes

Features

- Complies with Part M of the Building Regulations
- UKCA & CE compliant
- Suitable for front lever
- Bottom inlet
- Universal - either left or right handed
- Lockable lid option

Finish options

WH

White
RAL 9016

Product description

Low level cistern for box rim pan

Low level cistern with lockable lid for box rim pan

Product code

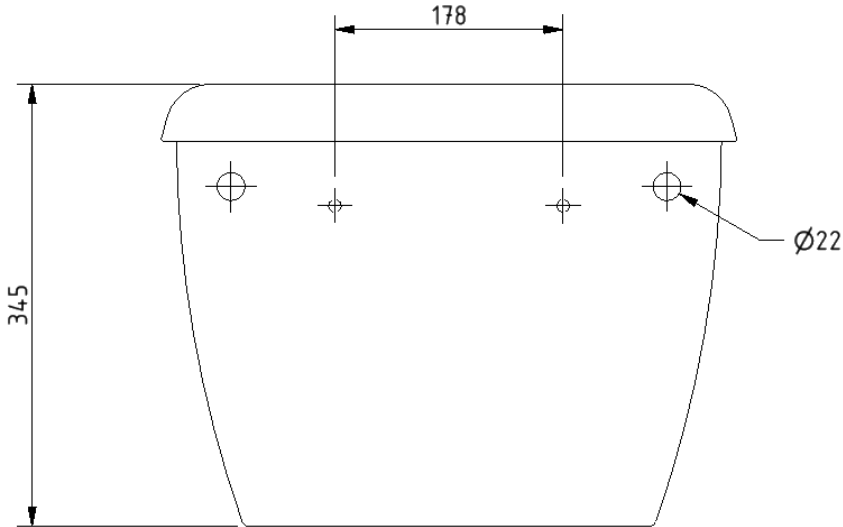
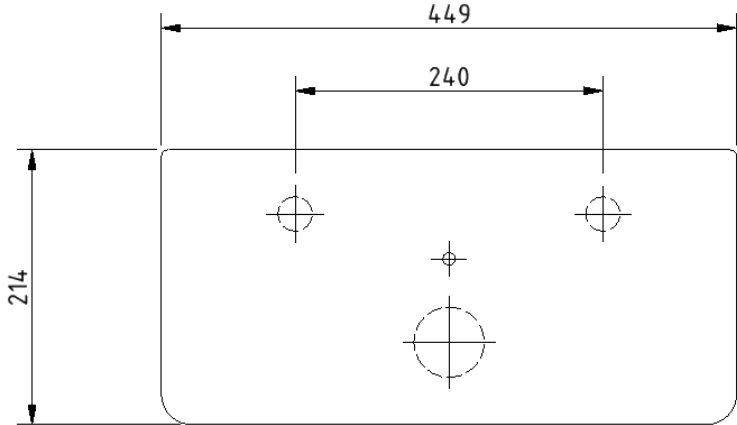
NY01-SW-21090-WH

NY01-SW-21099-WH

Disclaimer

NYMAS Group makes every effort to ensure that the information provided on this data sheet is correct. However, we cannot guarantee this, and accept no liability for any information or advice given on this data sheet.

Dimensions (mm)



Toilet seat, ring only, stainless steel pillar hinge



Product details

Warranty:	2 years
Max rated load:	150 kg
Doc M compliant:	Yes
Suitable for wet areas:	Yes

Features

- Complies with Part M of the Building Regulations
- Anti-bacterial, strong and durable Duroplast seat
- Ergonomic and comfortable shape
- Stainless steel hinge (bottom fix as standard)
Additional hinge pack to convert to top fix: NY-TOPFIXHINGE
- Adjustable locating buffers
- Fits close coupled, low level, back to wall and wall hung pans

Finish options



White
RAL 9016



Dark blue
RAL 5011



Dark grey
RAL 7016



Grey
RAL 7005

Product description

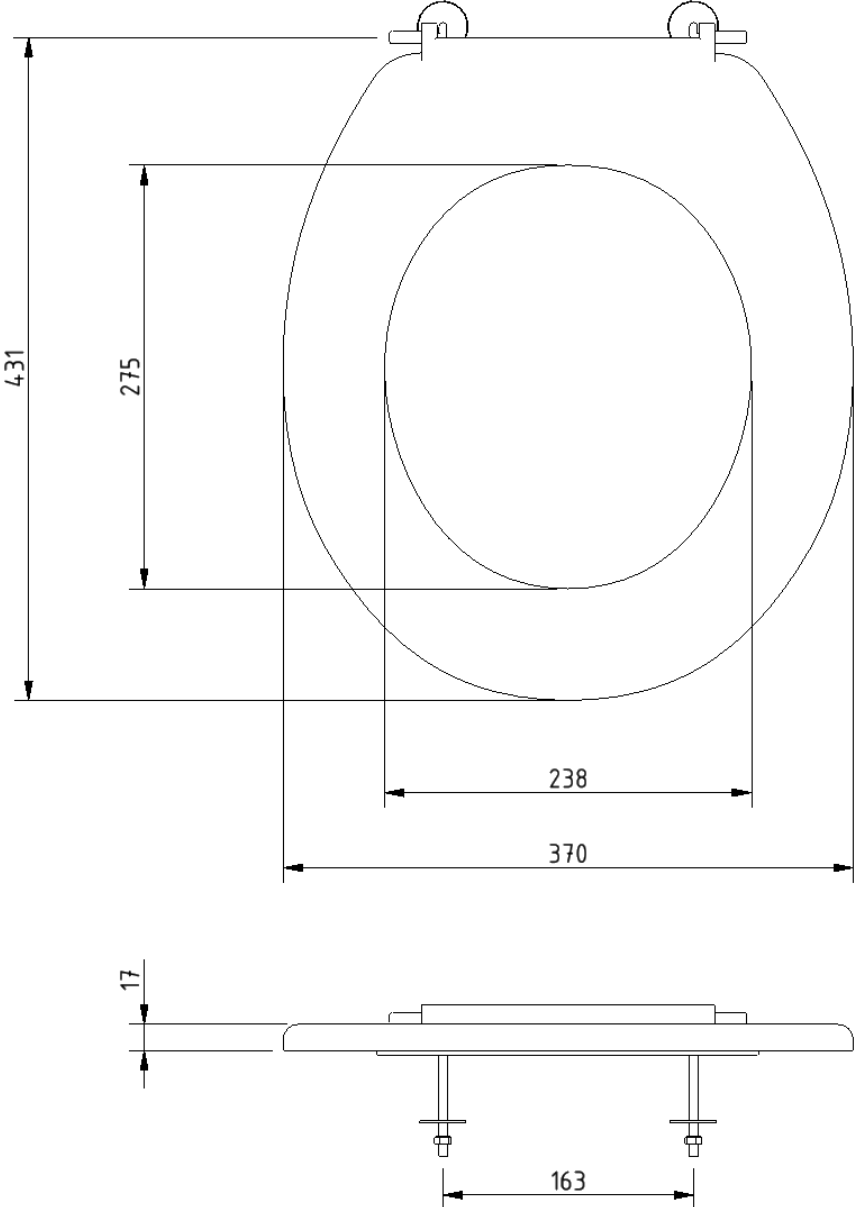
Product code

Toilet seat, ring only, stainless steel pillar hinge, dark blue (RAL 5011)	260015/DB
Toilet seat, ring only, stainless steel pillar hinge, dark grey (RAL 7016)	260015/DG
Toilet seat, ring only, stainless steel pillar hinge, grey (RAL 7005)	260015/GY
Toilet seat, ring only, stainless steel pillar hinge, white (RAL 9016)	260015/WH

Disclaimer

NYMAS Group makes every effort to ensure that the information provided on this data sheet is correct. However, we cannot guarantee this, and accept no liability for any information or advice given on this data sheet.

Dimensions (mm)



Compact Doc M basin



Product details

Warranty:	Lifetime
Max rated load:	n/a
Doc M compliant:	Yes
Suitable for wet areas:	Yes

Features

- Two tap holes for left or right handed configuration
- Compact design to maximise space for a wheelchair user
- Complies with Part M of the Building Regulations
- No overflow

Does not come with wall fixings (P-000248-X00X)

Finish options

WH

White
RAL 9016

Product description

Compact Doc M basin, two tap holes, no overflow, white

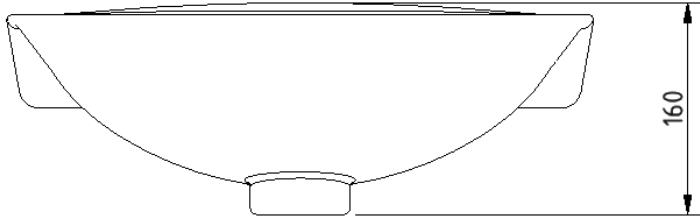
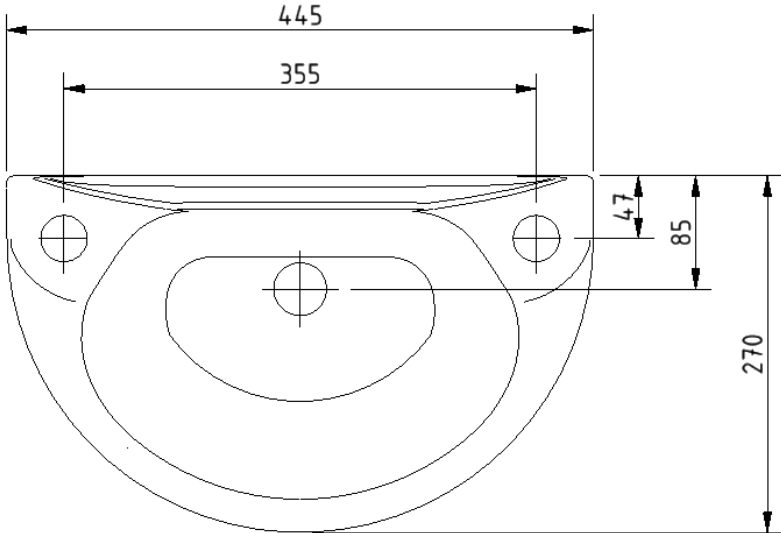
Product code

NY01-SW-00120-WH

Disclaimer

NYMAS Group makes every effort to ensure that the information provided on this data sheet is correct. However, we cannot guarantee this, and accept no liability for any information or advice given on this data sheet.

Dimensions (mm)



Polished chrome sequential basin mixer tap



Product details

Warranty:	2 years
Max rated load:	n/a
Doc M compliant:	Yes
Suitable for wet areas:	Yes
Flexi tap tail connection (to tap body):	M10 Thread
Flexi tap tail (onward connection):	3/4 Inch Diameter Thread

Features

- Reg 4 Certified (WRAS, NSF, Kiwa, etc.)
- Easy operation for users with limited dexterity
- Cold start

Finish options



Polished chrome

Product description

Sequential basin mixer tap, polished chrome

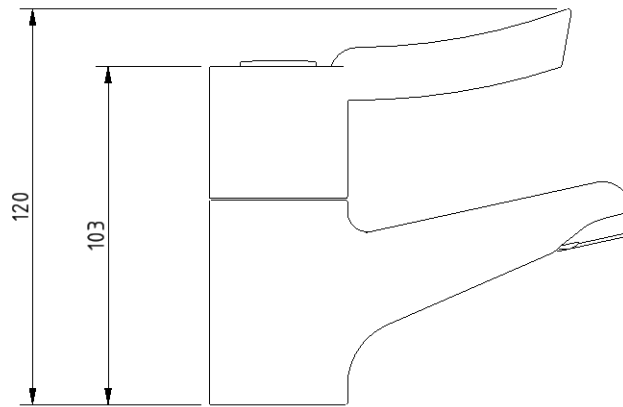
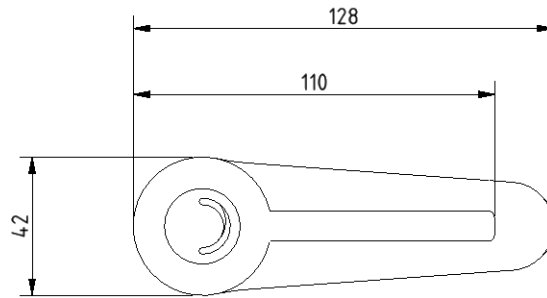
Product code

BPLMON

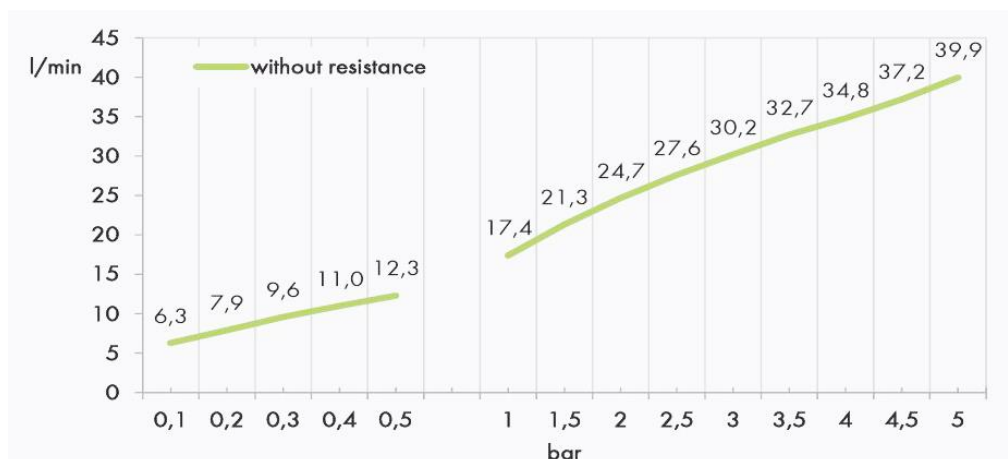
Disclaimer

NYMAS Group makes every effort to ensure that the information provided on this data sheet is correct. However, we cannot guarantee this, and accept no liability for any information or advice given on this data sheet.

Dimensions (mm)



Flow Rate Curve



Procedure:

Flow Determination

Pressure:

3,0 Bar

Cold:

18,9 l/min

Hot:

19 l/min

To 38 deg C:

26 l/min

Round flange steel grab rail with concealed fixings, 35mm diameter tube



Product details

Warranty:	2 years
Max rated load:	200 kg
Doc M compliant:	Yes
Suitable for wet areas:	No

Features

- Complies with Part M of the Building Regulations
- Robust steel construction
- Durable epoxy polyester coated finish
- Concealed fixing grab rails

Finish options

WH

White
RAL 9016

DB

Dark blue
RAL 5011

DG

Dark grey
RAL 7016

GY

Grey
RAL 7005

Product description

Round flange grab rail, steel, concealed fixings, 35mm diameter, 300mm
Round flange grab rail, steel, concealed fixings, 35mm diameter, 450mm
Round flange grab rail, steel, concealed fixings, 35mm diameter, 600mm
Round flange grab rail, steel, concealed fixings, 35mm diameter, 900mm

Product code

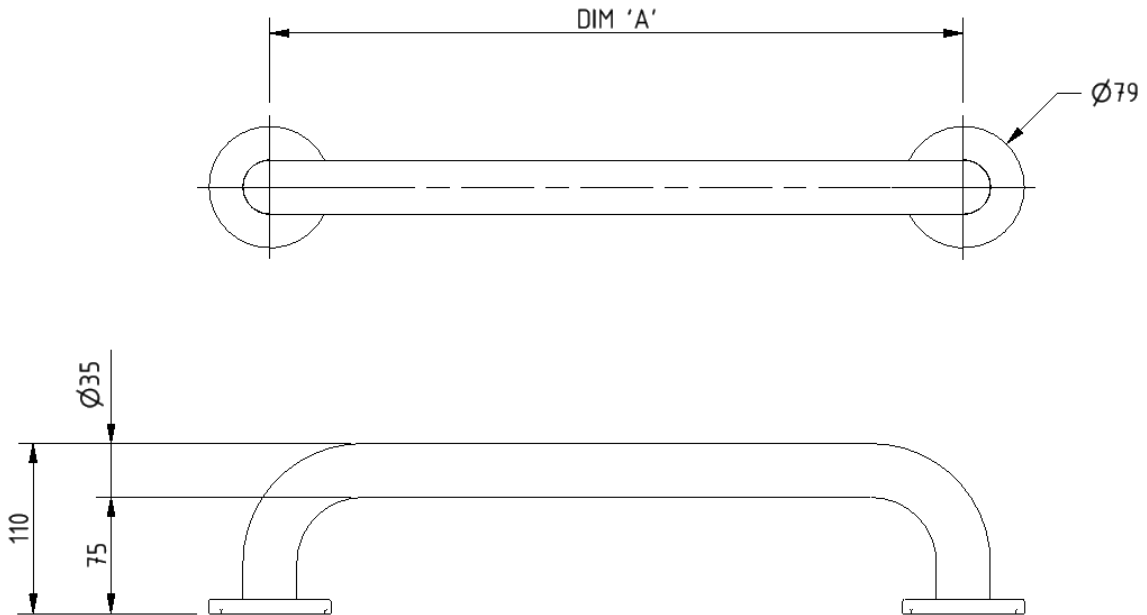
G1235C/**
G1835C/**
G2435C/**
G3635C/**

Replace ** with finish option code above e.g., G2435C/DB

Disclaimer

NYMAS Group makes every effort to ensure that the information provided on this data sheet is correct. However, we cannot guarantee this, and accept no liability for any information or advice given on this data sheet.

Dimensions (mm)



PRODUCT CODE	G1235C/**	G1835C/**	G2435C/**	G3635C/**
DIM 'A'	300	450	600	900

Lift and lock steel hinged support rail with toilet roll holder



Product details

Warranty: 2 years

Max rated load: 115 kg

Doc M compliant: Yes (800mm variant only)

Suitable for wet areas: No

Features

- Lift and lock folding mechanism
- Integral toilet roll holder
- Robust steel construction
- Durable epoxy polyester coating
- Complies with Part M of the Building Regulations (800mm variant only)

Finish options

WH

White
RAL 9016

DB

Dark blue
RAL 5011

DG

Dark grey
RAL 7016

GY

Grey
RAL 7005

Product description

Trombone lift and lock hinged support rail, steel, toilet roll holder, 550mm

Trombone lift and lock hinged support rail, steel, toilet roll holder, 800mm

Product code

112055/**

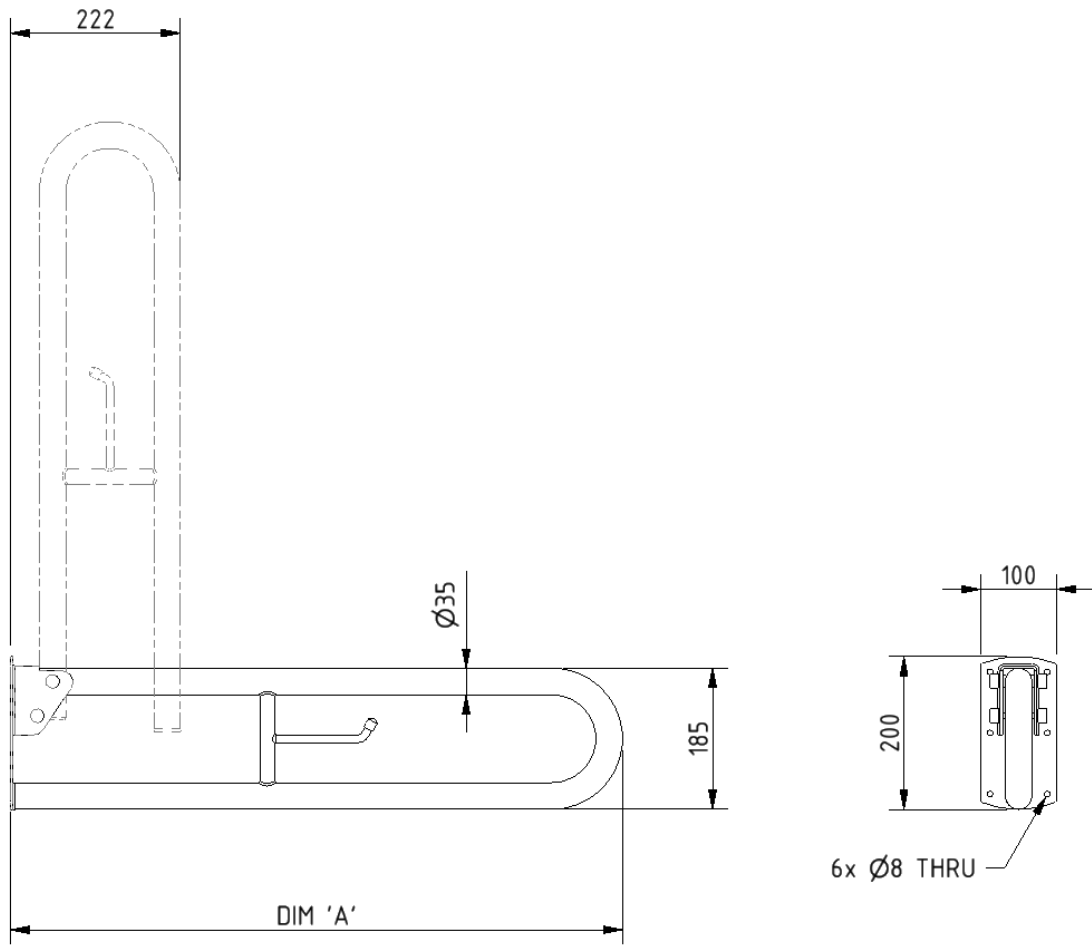
DDGR-B/**

Replace ** with finish option code above e.g., DDGR-B/DB

Disclaimer

NYMAS Group makes every effort to ensure that the information provided on this data sheet is correct. However, we cannot guarantee this, and accept no liability for any information or advice given on this data sheet.

Dimensions (mm)



PRODUCT CODE	112055/**	DDGR-B/**
DIM 'A'	550	800

Steel back rest rail with concealed fixings and white pad, 270mm projection

Product details

Warranty: 2 years

Max rated load: n/a

Doc M compliant: Yes

Suitable for wet areas: No



Features

- Complies with Part M of the Building Regulations
- Robust steel construction
- Durable wipe clean closed cell polyurethane pad for cleanliness and comfort
- Saddle clips for fixing pad to rail
- Concealed fixings

Finish options

WH

White
RAL 9016

DB

Dark blue
RAL 5011

DG

Dark grey
RAL 7016

GY

Grey
RAL 7005

Product description

Back rest rail with white pad, steel, 270mm projection, concealed fixings, white (RAL 9016)

Back rest rail with white pad, steel, 270mm projection, concealed fixings, dark blue (RAL 5011)

Back rest rail with white pad, steel, 270mm projection, concealed fixings, dark grey (RAL 7016)

Back rest rail with white pad, steel, 270mm projection, concealed fixings, grey (RAL 7005)

Product code

BR-270C/WH

BR-270C/DB

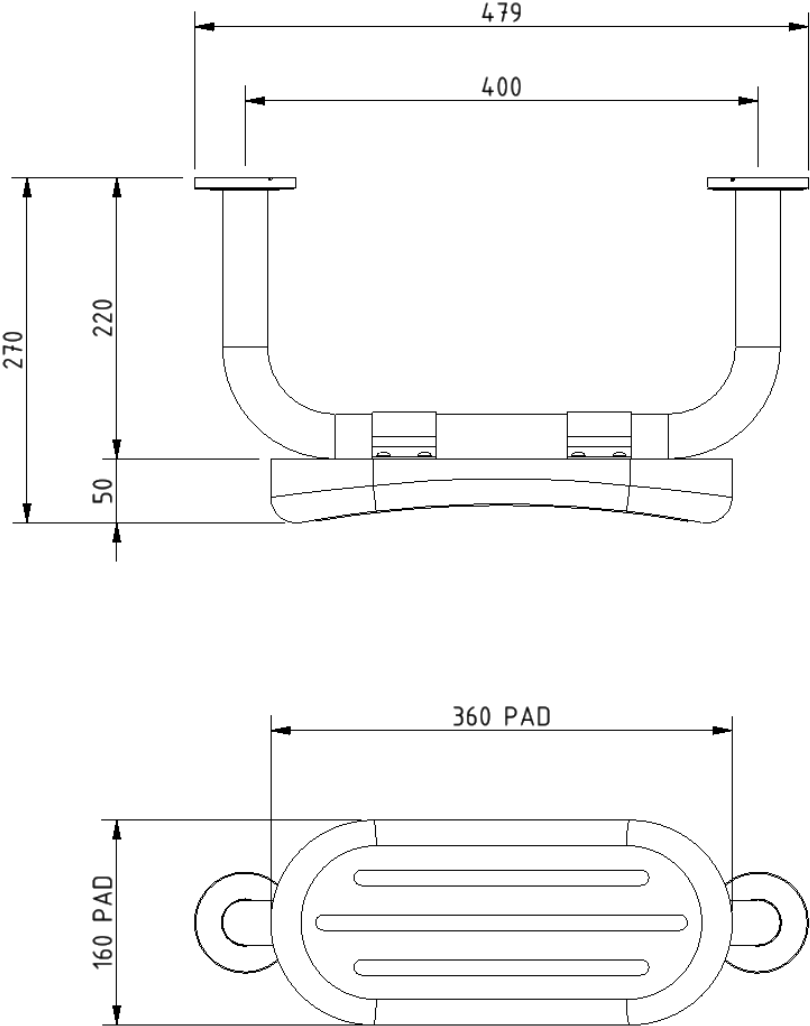
BR-270C/DG

BR-270C/GY

Disclaimer

NYMAS Group makes every effort to ensure that the information provided on this data sheet is correct. However, we cannot guarantee this, and accept no liability for any information or advice given on this data sheet.

Dimensions (mm)



TMV3 inline thermostatic mixing valve



Product details

Warranty:	2 years
Max rated load:	n/a
Doc M compliant:	Yes
Suitable for wet areas:	Yes

Features

- TMV3 approved & Reg 4 Certified (WRAS, NSF, Kiwa, etc.)
- Complies with Part M of the Building Regulations
- Building Regulations Part G compliant
- Highly resistant to scaling
- Anti-tamper proof head

Finish options



CP

Polished
chrome

Product description

TMV3 inline thermostatic mixing valve - 15mm

Product code

BPLTMV

Disclaimer

NYMAS Group makes every effort to ensure that the information provided on this data sheet is correct. However, we cannot guarantee this, and accept no liability for any information or advice given on this data sheet.

Dimensions (mm)

