

## Low level Doc M ware set with ring only seat



### Product details

- Warranty:** See individual products
- Doc M compliant:** Yes
- Suitable for wet areas:** Yes

### Features

- Complies with Part M of the Building Regulations
- Low level pan & cistern assembly
- Inlet valve and syphon Reg 4 Certified (WRAS, NSF, Kiwa, etc.)

### Finish options



**WH**

White  
RAL 9016



**DB**

Dark blue  
RAL 5011



**DG**

Dark grey  
RAL 7016



**GY**

Grey  
RAL 7005

### Product description

Low level Doc M ware set, pan & cistern assembly, ring only seat, white (RAL 9016)

Low level Doc M ware set, pan & cistern assembly, ring only seat, dark blue (RAL 5011)

Low level Doc M ware set, pan & cistern assembly, ring only seat, dark grey (RAL 7016)

Low level Doc M ware set, pan & cistern assembly, ring only seat, grey (RAL 7005)

Low level Doc M ware set, pan & lockable cistern assembly, ring only seat, white (RAL 9016)

Low level Doc M ware set, pan & lockable cistern assembly, ring only seat, dark blue (RAL 5011)

Low level Doc M ware set, pan & lockable cistern assembly, ring only seat, dark grey (RAL 7016)

Low level Doc M ware set, pan & lockable cistern assembly, ring only seat, grey (RAL 7005)

### Product code

LLWARESET/WH

LLWARESET/DB

LLWARESET/DG

LLWARESET/GY

LLWARESET/LC/WH

LLWARESET/LC/DB

LLWARESET/LC/DG

LLWARESET/LC/GY

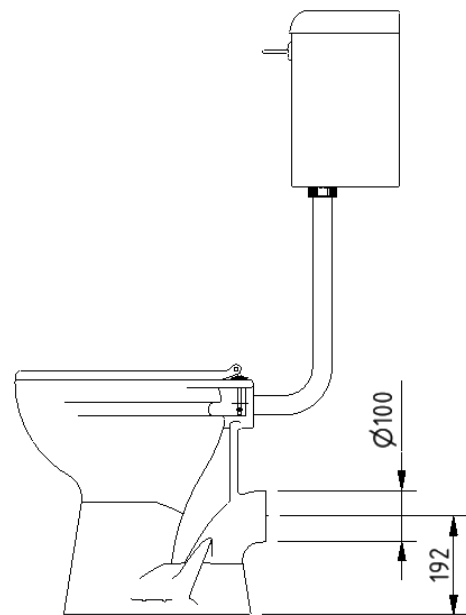
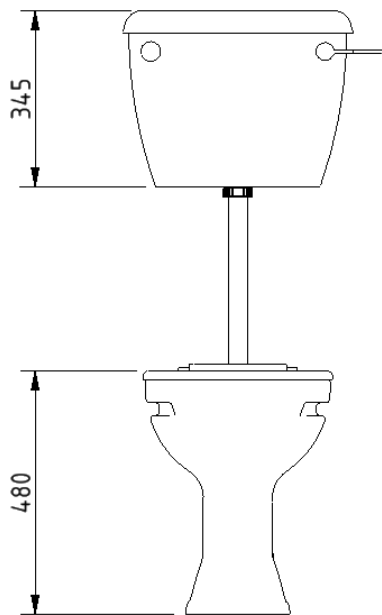
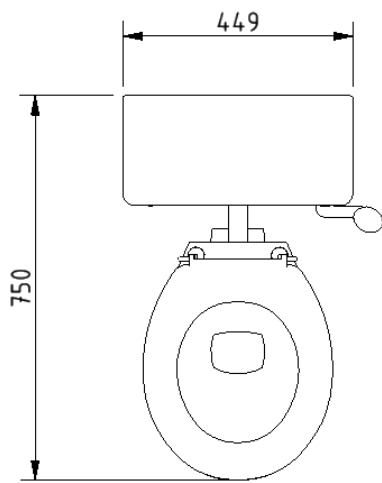
### Disclaimer

NYMAS Group makes every effort to ensure that the information provided on this data sheet is correct. However, we cannot guarantee this, and accept no liability for any information or advice given on this data sheet.

## Pack contents

- 1 x Low level box rim Doc M pan
- 1 x Low level cistern for box rim pan (optional lockable lid)
- 1 x Low level cistern fittings pack with Doc M spatula lever and flush pipe
- 1 x Ring only toilet seat

## Dimensions (mm)



## Low level box rim Doc M pan



### Product details

**Warranty:** Lifetime

**Max rated load:** 400 kg

**Doc M compliant:** Yes

**Suitable for wet areas:** Yes

### Features

- Complies with Part M of the Building Regulations
- UKCA and CE compliant
- Comfort height to allow easier side transfer from wheelchair

## Finish options

**WH**

White  
RAL 9016

## Product description

Low level box rim Doc M pan, white

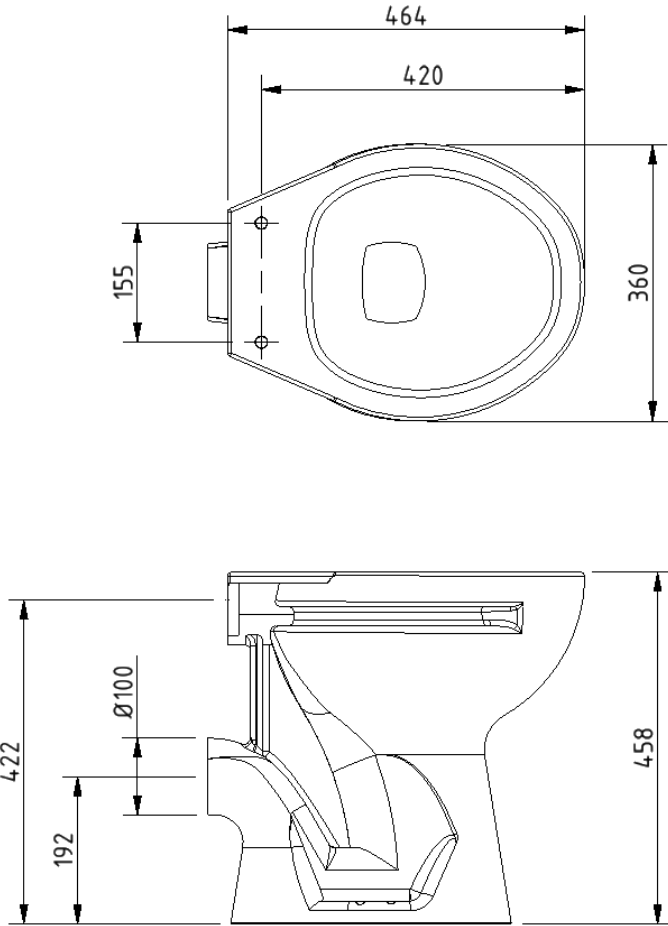
## Product code

B-BWPANLL-1

## Disclaimer

NYMAS Group makes every effort to ensure that the information provided on this data sheet is correct. However, we cannot guarantee this, and accept no liability for any information or advice given on this data sheet.

## Dimensions (mm)



## Low level cistern for box rim pan



### Product details

<b>Warranty:</b>	Lifetime
<b>Max rated load:</b>	n/a
<b>Doc M compliant:</b>	Yes
<b>Suitable for wet areas:</b>	Yes

### Features

- Complies with Part M of the Building Regulations
- UKCA & CE compliant
- Suitable for front lever
- Bottom inlet
- Universal - either left or right handed
- Lockable lid option

## Finish options

**WH**

White  
RAL 9016

### Product description

Low level cistern for box rim pan

Low level cistern with lockable lid for box rim pan

### Product code

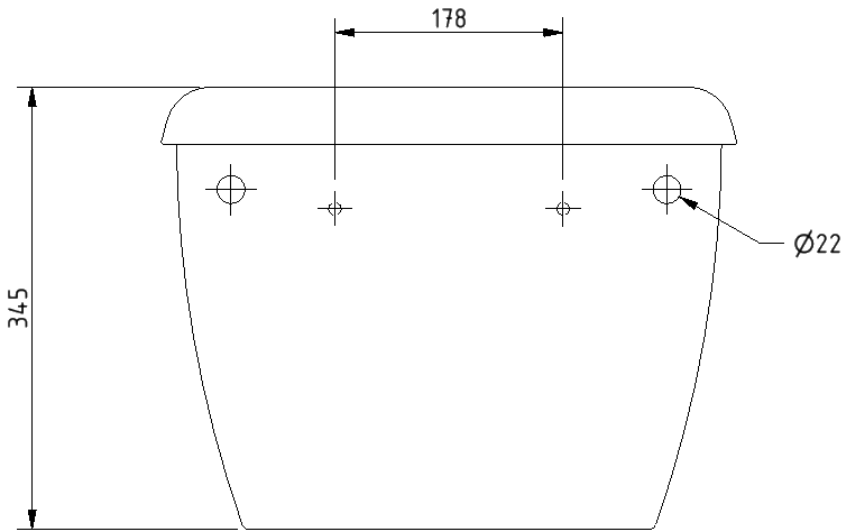
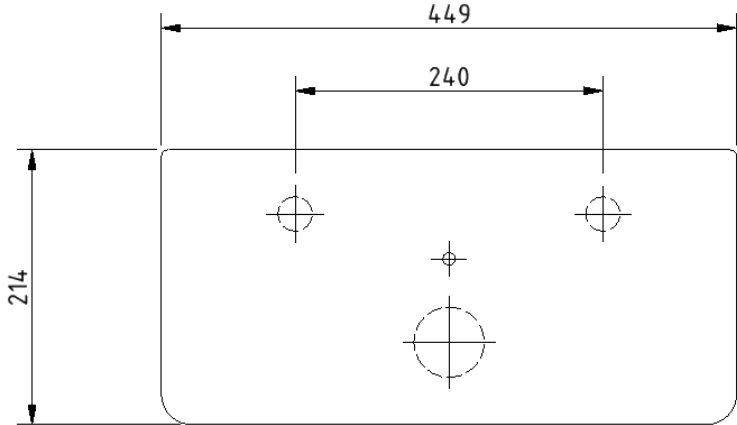
NY01-SW-21090-WH

NY01-SW-21099-WH

### Disclaimer

NYMAS Group makes every effort to ensure that the information provided on this data sheet is correct. However, we cannot guarantee this, and accept no liability for any information or advice given on this data sheet.

## Dimensions (mm)



## Toilet seat, ring only, stainless steel pillar hinge



### Product details

<b>Warranty:</b>	2 years
<b>Max rated load:</b>	150 kg
<b>Doc M compliant:</b>	Yes
<b>Suitable for wet areas:</b>	Yes

### Features

- Complies with Part M of the Building Regulations
- Anti-bacterial, strong and durable Duroplast seat
- Ergonomic and comfortable shape
- Stainless steel hinge (bottom fix as standard)  
Additional hinge pack to convert to top fix: NY-TOPFIXHINGE
- Adjustable locating buffers
- Fits close coupled, low level, back to wall and wall hung pans

### Finish options



White  
RAL 9016



Dark blue  
RAL 5011



Dark grey  
RAL 7016



Grey  
RAL 7005

### Product description

### Product code

Toilet seat, ring only, stainless steel pillar hinge, dark blue (RAL 5011)	260015/DB
Toilet seat, ring only, stainless steel pillar hinge, dark grey (RAL 7016)	260015/DG
Toilet seat, ring only, stainless steel pillar hinge, grey (RAL 7005)	260015/GY
Toilet seat, ring only, stainless steel pillar hinge, white (RAL 9016)	260015/WH

### Disclaimer

NYMAS Group makes every effort to ensure that the information provided on this data sheet is correct. However, we cannot guarantee this, and accept no liability for any information or advice given on this data sheet.

Dimensions (mm)

