

## Back to wall ambulant Doc M toilet pack with steel exposed fixing grab rails



### Product details

<b>Warranty:</b>	See individual products
<b>Max rated load:</b>	See individual products
<b>Doc M compliant:</b>	Yes
<b>Suitable for wet areas:</b>	No

### Features

- Complies with Part M of the Building Regulations
- WRAS approved inlet valve and syphon

### Finish options



White  
RAL 9016



Dark blue  
RAL 5011



Dark grey  
RAL 7016



Grey  
RAL 7005

### Product description

Back to wall ambulant Doc M toilet pack, steel, exposed fixings, dark blue (RAL 5011)  
 Back to wall ambulant Doc M toilet pack, steel, exposed fixings, dark grey (RAL 7016)  
 Back to wall ambulant Doc M toilet pack, steel, exposed fixings, grey (RAL 7005)  
 Back to wall ambulant Doc M toilet pack, steel, exposed fixings, white (RAL 9016)

### Product code

AMBBTW/DB  
 AMBBTW/DG  
 AMBBTW/GY  
 AMBBTW/WH

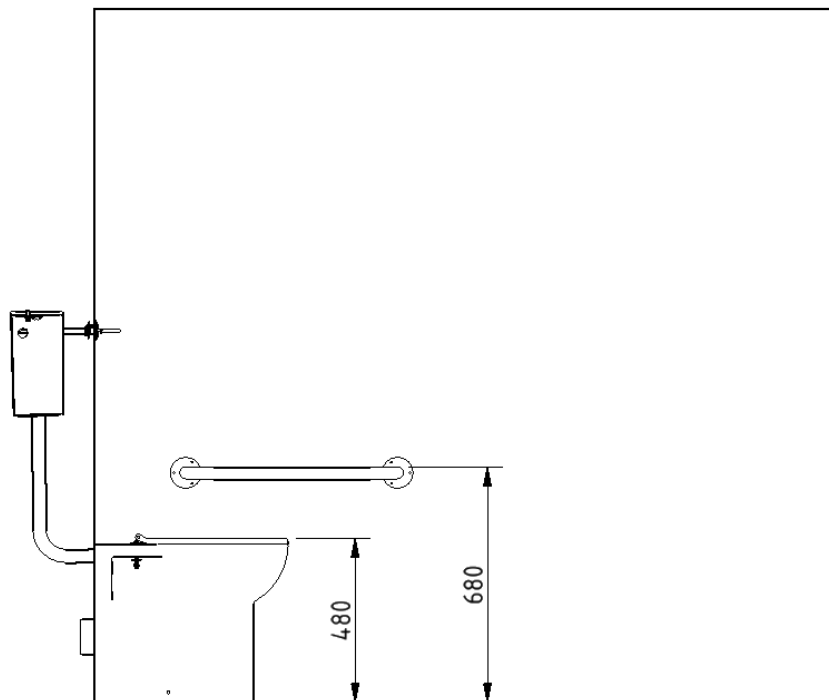
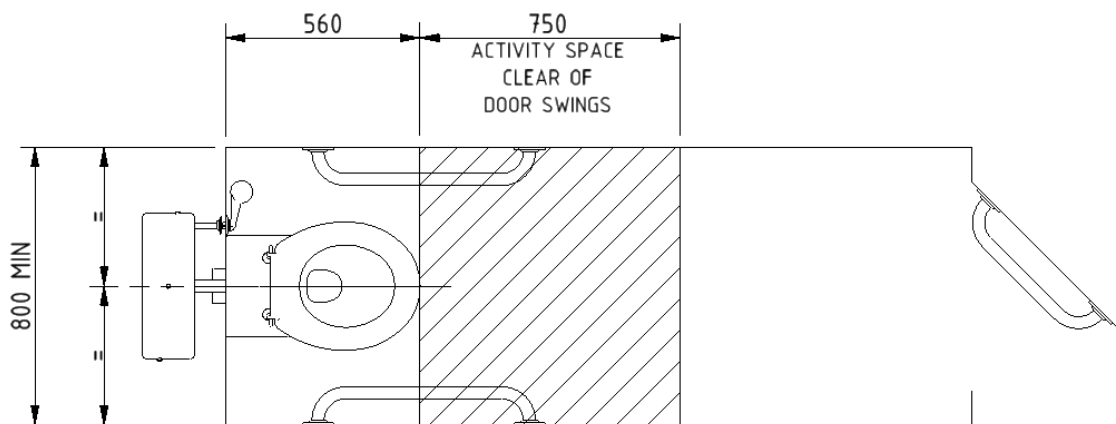
### Disclaimer

NYMAS Group makes every effort to ensure that the information provided on this data sheet is correct. However, we cannot guarantee this, and accept no liability for any information or advice given on this data sheet.

## Pack contents

- 2 x 600mm coated steel grab rails with exposed fixings
- 1x 450mm coated steel grab rail with exposed fixings
- 1 x Back to wall box rim Doc M pan
- 1 x Concealed cistern with fittings, flush pipe, and Doc M concealed cistern spatula lever
- 1 x Ring only toilet seat

## Dimensions (mm)



## Back to wall box rim Doc M pan



### Product details

<b>Warranty:</b>	Lifetime
<b>Max rated load:</b>	400 kg
<b>Doc M compliant:</b>	Yes
<b>Suitable for wet areas:</b>	Yes

### Features

- Complies with Part M of the Building Regulations when used in conjunction with back box (BPLBOX)
- UKCA and CE compliant
- Comfort height to allow easier side transfer from wheelchair

## Finish options

**WH**

White  
RAL 9016

## Product description

Back to wall box rim Doc M pan

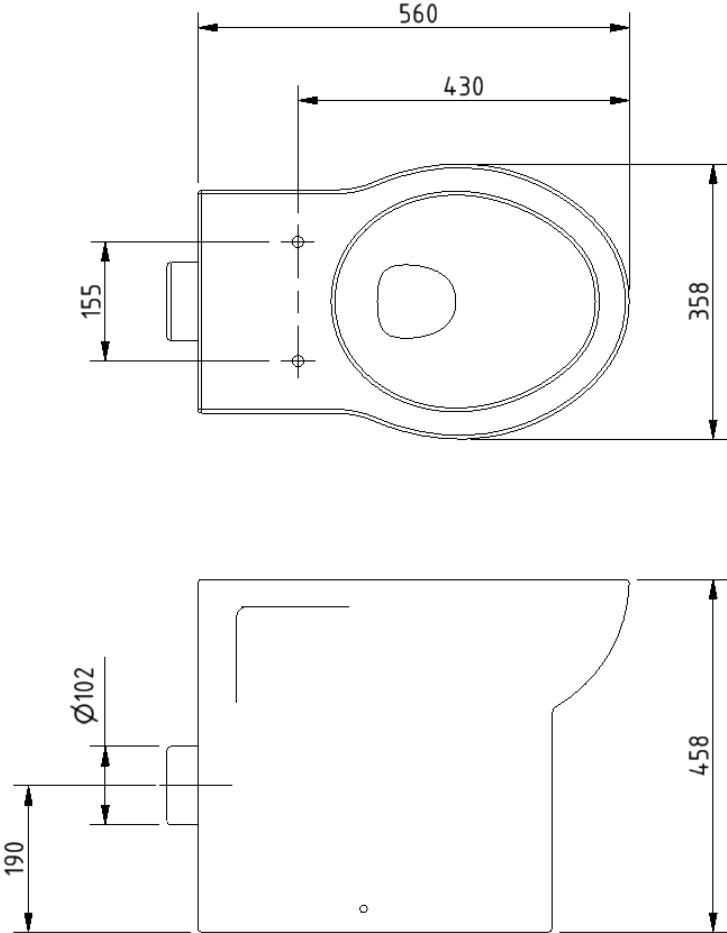
## Product code

NY01-SW-31000-WH

## Disclaimer

NYMAS Group makes every effort to ensure that the information provided on this data sheet is correct. However, we cannot guarantee this, and accept no liability for any information or advice given on this data sheet.

## Dimensions (mm)



## Concealed cistern and fittings



### Product details

**Warranty:** 2 years

**Max rated load:** N/A

**Doc M compliant:** N/A

**Suitable for wet areas:** Yes

### Features

- Syphon and inlet valve Reg 4 Certified (WRAS, NSF, Kiwa, etc.)
- Top access
- 6 litre flush
- Internal / external overflow warning
- High density polystyrene construction

Does not come with flush lever or flush pipe

### Product description

Concealed cistern and fittings, no lever or flush pipe

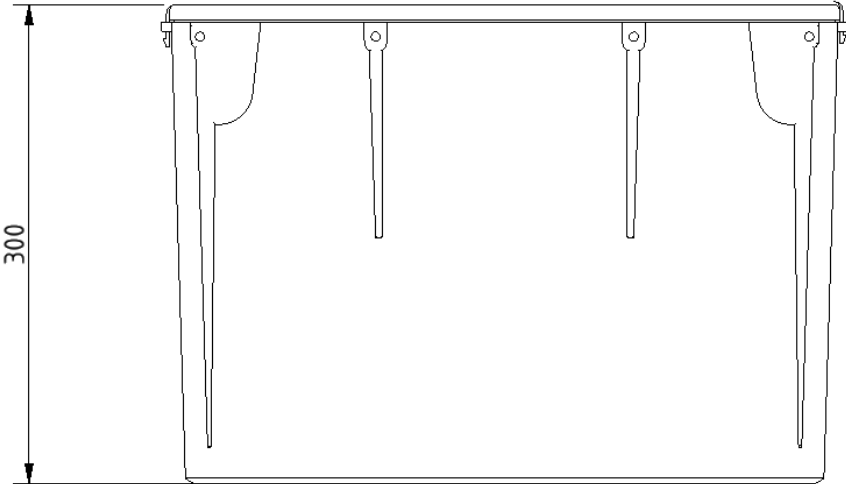
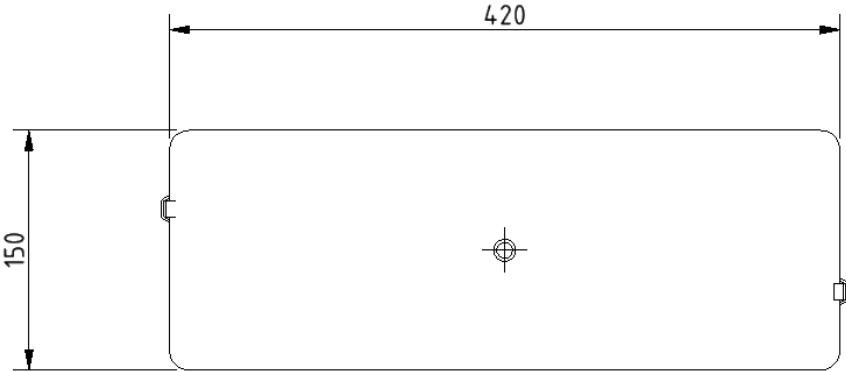
### Product code

B-CISTHIDE

### Disclaimer

NYMAS Group makes every effort to ensure that the information provided on this data sheet is correct. However, we cannot guarantee this, and accept no liability for any information or advice given on this data sheet.

**Dimensions (mm)**



## Concealed cistern spatula lever



### Product details

Warranty: 2 years

Max rated load: n/a

Doc M compliant: Yes

Suitable for wet areas: Yes

### Features

- Complies with Part M of the Building Regulations
- Easy operation for users with limited dexterity
- For use with concealed cisterns

## Finish options



Polished  
chrome

## Product description

Concealed cistern spatula lever, 215mm spindle, polished chrome

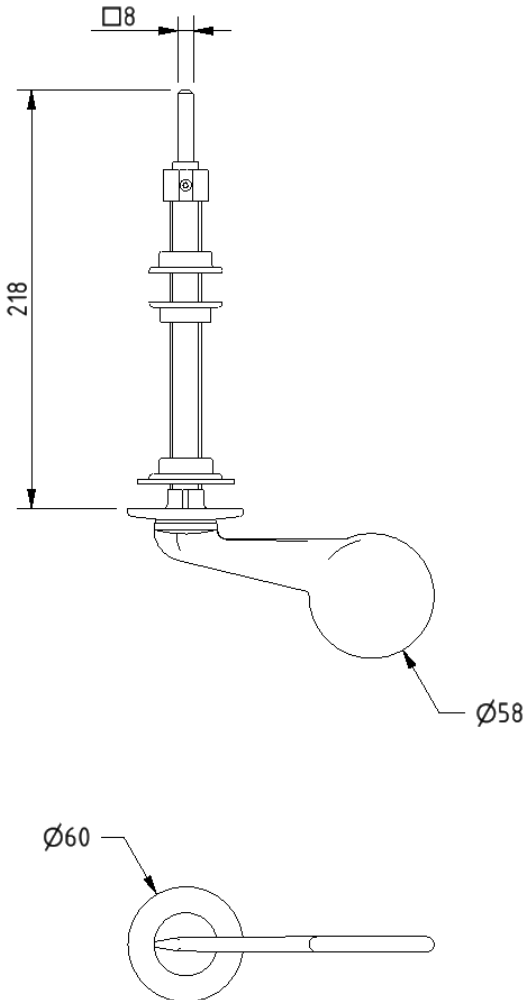
## Product code

P-000243-X00X

## Disclaimer

NYMAS Group makes every effort to ensure that the information provided on this data sheet is correct. However, we cannot guarantee this, and accept no liability for any information or advice given on this data sheet.

Dimensions (mm)





## Toilet seat, ring only, stainless steel pillar hinge



### Product details

<b>Warranty:</b>	2 years
<b>Max rated load:</b>	150 kg
<b>Doc M compliant:</b>	Yes
<b>Suitable for wet areas:</b>	Yes

### Features

- Complies with Part M of the Building Regulations
- Anti-bacterial, strong and durable Duroplast seat
- Ergonomic and comfortable shape
- Stainless steel hinge (bottom fix as standard)  
Additional hinge pack to convert to top fix: NY-TOPFIXHINGE
- Adjustable locating buffers
- Fits close coupled, low level, back to wall and wall hung pans

### Finish options



White  
RAL 9016



Dark blue  
RAL 5011



Dark grey  
RAL 7016



Grey  
RAL 7005

### Product description

Toilet seat, ring only, stainless steel pillar hinge, dark blue (RAL 5011)
Toilet seat, ring only, stainless steel pillar hinge, dark grey (RAL 7016)
Toilet seat, ring only, stainless steel pillar hinge, grey (RAL 7005)
Toilet seat, ring only, stainless steel pillar hinge, white (RAL 9016)

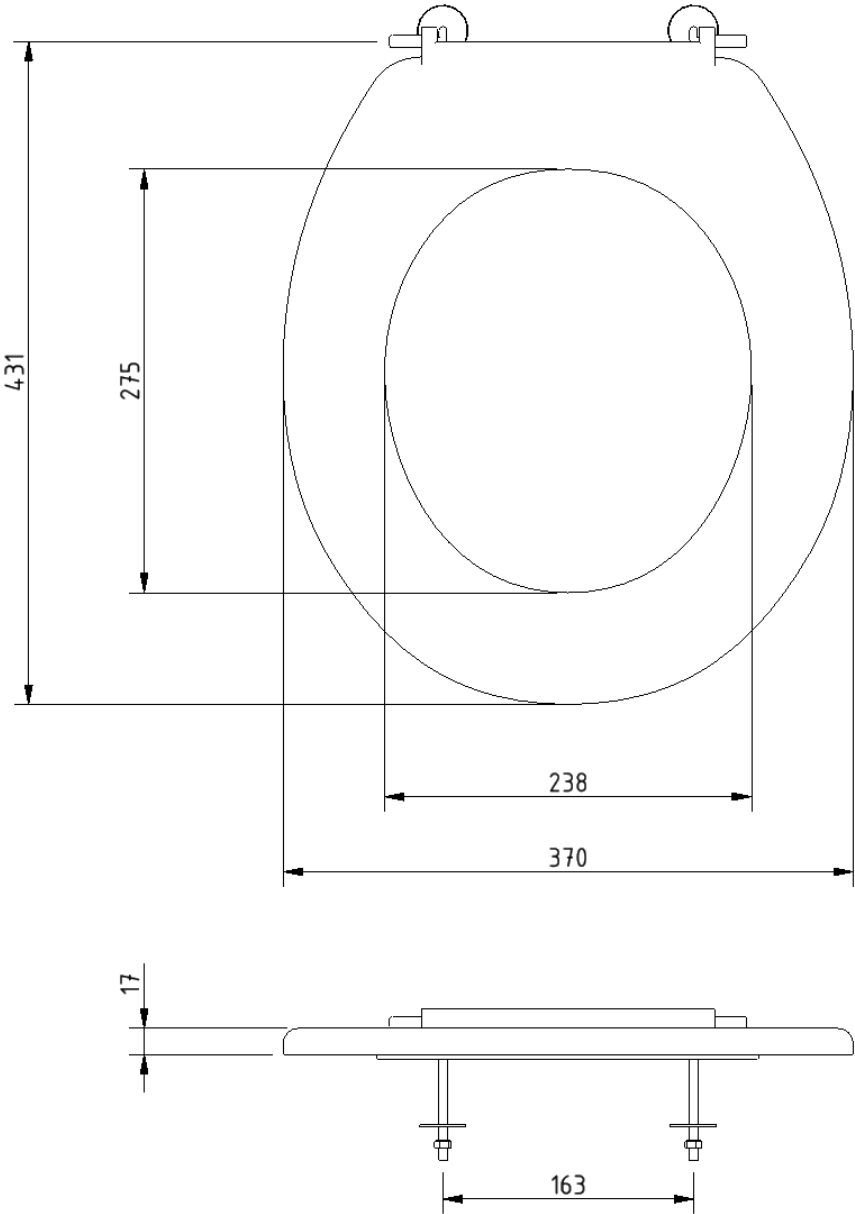
### Product code

260015/DB
260015/DG
260015/GY
260015/WH

### Disclaimer

NYMAS Group makes every effort to ensure that the information provided on this data sheet is correct. However, we cannot guarantee this, and accept no liability for any information or advice given on this data sheet.

**Dimensions (mm)**



## Round flange steel grab rail with exposed fixings, 35mm diameter tube



### Product details

Warranty:	2 years
Max rated load:	200 kg
Doc M compliant:	Yes
Suitable for wet areas:	No

### Features

- Complies with Part M of the Building Regulations
- Robust steel construction
- Durable epoxy polyester coated finish

### Finish options



**WH**

White  
RAL 9016



**DB**

Dark blue  
RAL 5011



**DG**

Dark grey  
RAL 7016



**GY**

Grey  
RAL 7005

### Product description

Round flange grab rail, steel, exposed fixings, 35mm diameter, 305mm  
 Round flange grab rail, steel, exposed fixings, 35mm diameter, 455mm  
 Round flange grab rail, steel, exposed fixings, 35mm diameter, 610mm  
 Round flange grab rail, steel, exposed fixings, 35mm diameter, 900mm

### Product code

GR-12/35/\*\*  
 GR-18/35/\*\*  
 GR-24/35/\*\*  
 GR-36/35/\*\*

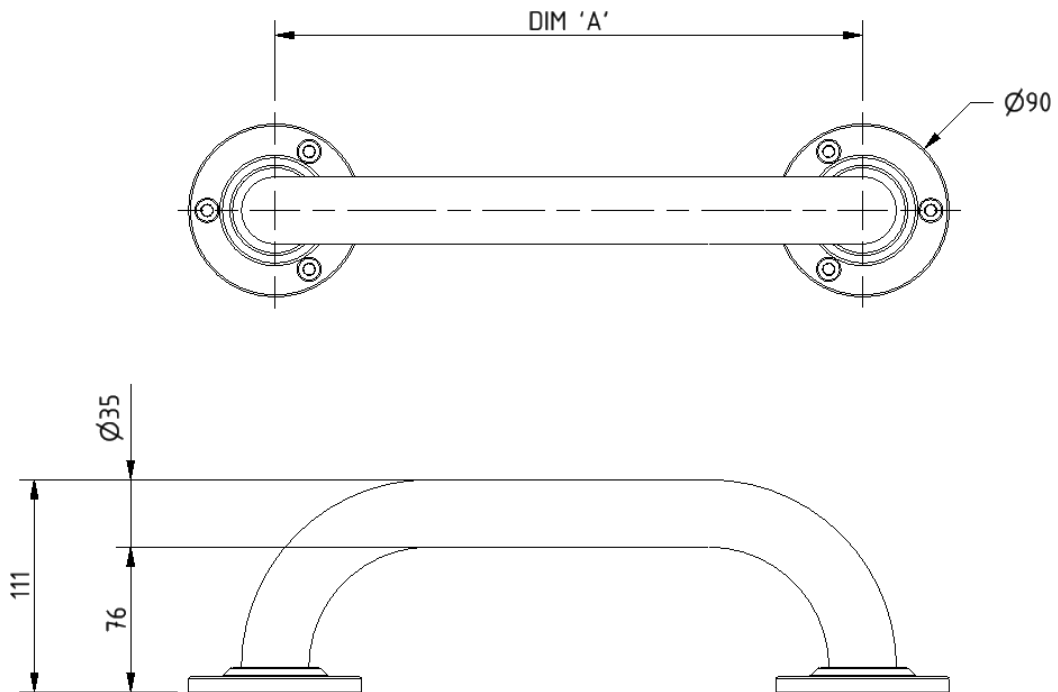
Replace \*\* with finish option code above e.g., GR-18/35/DB

**Note:** GR-12/35 is only available in WH finish

### Disclaimer

NYMAS Group makes every effort to ensure that the information provided on this data sheet is correct. However, we cannot guarantee this, and accept no liability for any information or advice given on this data sheet.

## Dimensions (mm)



PRODUCT CODE	GR-12/35/**	GR-18/35/**	GR-24/35/**	GR-36/35/**
DIM 'A'	305	455	610	900