

## Close coupled ambulant Doc M toilet pack with stainless steel concealed fixing grab rails



### Product details

<b>Warranty:</b>	See individual products
<b>Max rated load:</b>	See individual products
<b>Doc M compliant:</b>	Yes
<b>Suitable for wet areas:</b>	Yes

### Features

- Complies with Part M of the Building Regulations
- Inlet valve and syphon Reg 4 Certified (WRAS, NSF, Kiwa, etc.)
- Lockable cistern option available (AMBCCCS/LC/\*\*)
- Concealed fixing stainless steel grab rails
- Simple one box solution

### Finish options



**WH**

White  
RAL 9016



**DB**

Dark blue  
RAL 5011



**DG**

Dark grey  
RAL 7016



**GY**

Grey  
RAL 7005



**SS**

Satin  
Stainless Steel



**SP**

Polished  
Stainless Steel

### Product description

Close coupled ambulant Doc M toilet pack, stainless steel, concealed fixings

Close coupled ambulant Doc M toilet pack, lockable cistern lid, stainless steel, concealed fixings

Replace \*\* with finish option code above e.g., AMBCCCS/DB

Please note AMBCCCS/LC is only available in SS and SP finishes

### Product code

AMBCCCS/\*\*

AMBCCCS/LC/\*\*

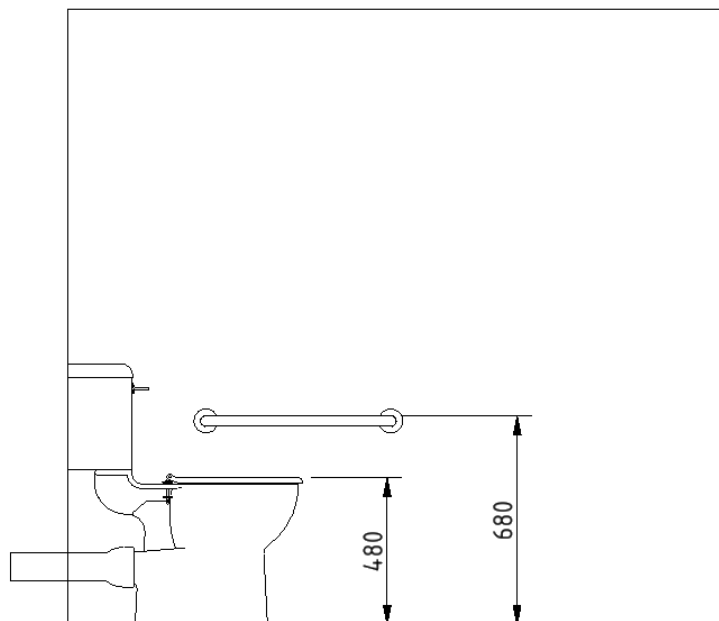
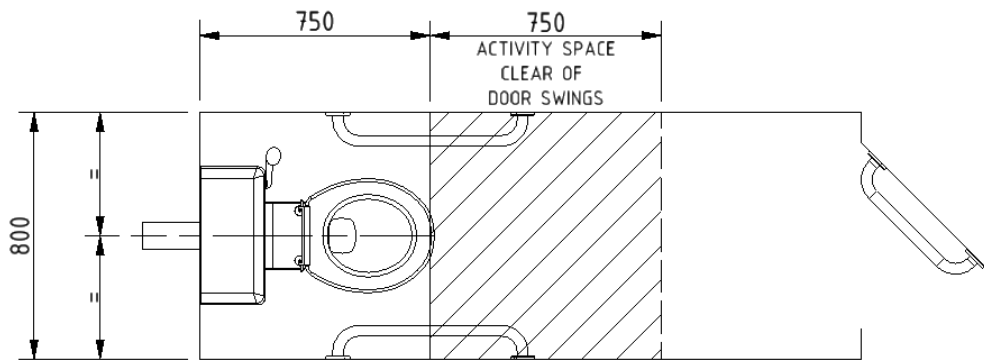
### Disclaimer

NYMAS Group makes every effort to ensure that the information provided on this data sheet is correct. However, we cannot guarantee this, and accept no liability for any information or advice given on this data sheet.

## Pack contents

- 2 x 600mm stainless steel grab rails with concealed fixings
- 1 x 450mm stainless steel grab rails with concealed fixings
- 1 x Close coupled box rim Doc M pan
- 1 x Close coupled cistern for box rim pan (optional lockable lid)
- 1 x Close coupled cistern fitting pack with Doc M spatula lever
- 1 x Ring only toilet seat

## Dimensions (mm)



## Close coupled box rim Doc M pan



### Product details

<b>Warranty:</b>	Lifetime
<b>Max rated load:</b>	400 kg
<b>Doc M compliant:</b>	Yes
<b>Suitable for wet areas:</b>	Yes

### Features

- Extended projection to aid compliance with Part M of the Building Regulations.
- UKCA and CE compliant
- Comfort height to allow easier side transfer from wheelchair

## Finish options

**WH**

White  
RAL 9016

### Product description

Close coupled box rim Doc M pan, white

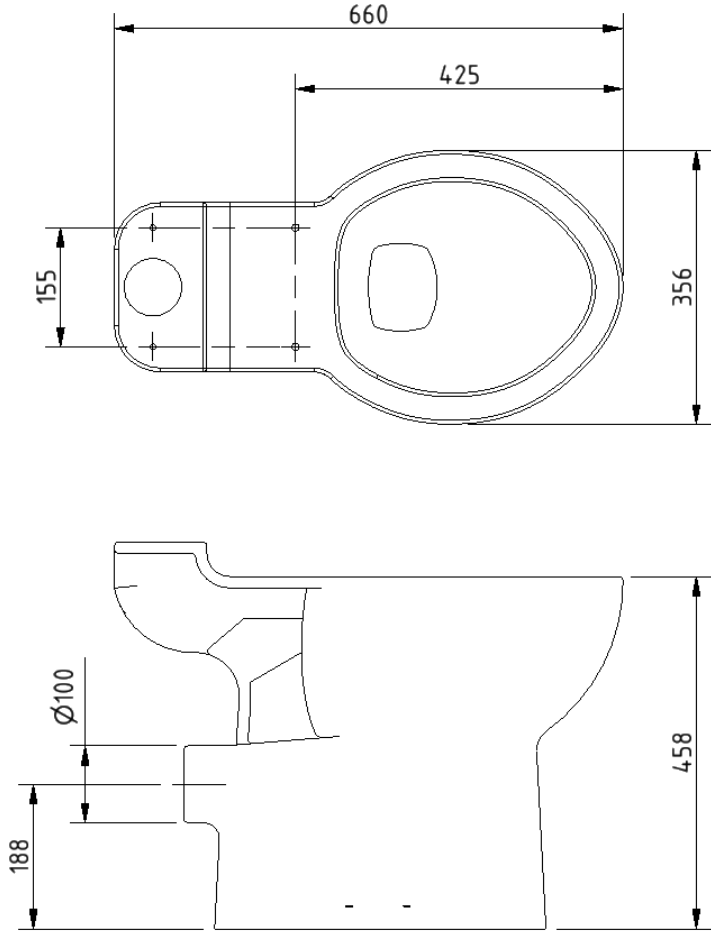
### Product code

B-BWPANCC2-1

### Disclaimer

NYMAS Group makes every effort to ensure that the information provided on this data sheet is correct. However, we cannot guarantee this, and accept no liability for any information or advice given on this data sheet.

Dimensions (mm)



## Close coupled cistern for box rim pan



### Product details

<b>Warranty:</b>	Lifetime
<b>Max rated load:</b>	n/a
<b>Doc M compliant:</b>	Yes
<b>Suitable for wet areas:</b>	Yes

### Features

- Complies with Part M of the Building Regulations
- UKCA & CE compliant
- Suitable for front lever
- Bottom inlet
- Universal - either left or right handed
- Lockable lid option

## Finish options

**WH**

White  
RAL 9016

### Product description

Close coupled cistern for box rim pan

Close coupled cistern with lockable lid for box rim pan

### Product code

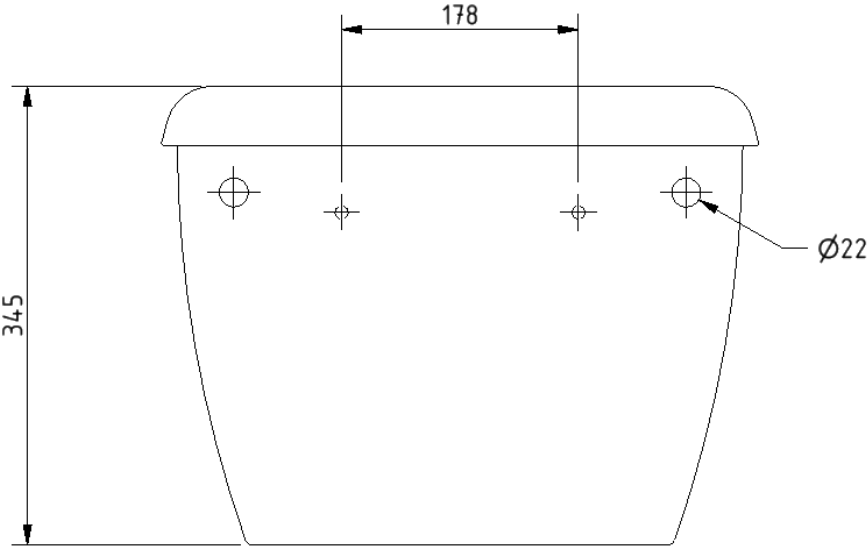
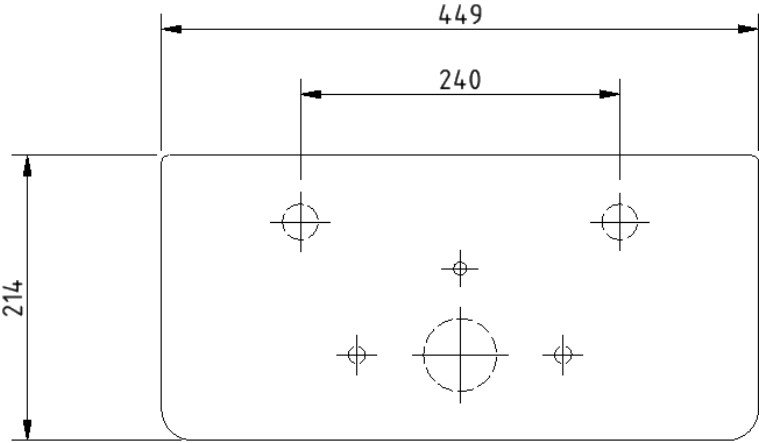
NY01-SW-11090-WH

NY01-SW-11099-WH

### Disclaimer

NYMAS Group makes every effort to ensure that the information provided on this data sheet is correct. However, we cannot guarantee this, and accept no liability for any information or advice given on this data sheet.

Dimensions (mm)



## Toilet seat, ring only, stainless steel pillar hinge



### Product details

<b>Warranty:</b>	2 years
<b>Max rated load:</b>	150 kg
<b>Doc M compliant:</b>	Yes
<b>Suitable for wet areas:</b>	Yes

### Features

- Complies with Part M of the Building Regulations
- Anti-bacterial, strong and durable Duroplast seat
- Ergonomic and comfortable shape
- Stainless steel hinge (bottom fix as standard)  
Additional hinge pack to convert to top fix: NY-TOPFIXHINGE
- Adjustable locating buffers
- Fits close coupled, low level, back to wall and wall hung pans

### Finish options



White  
RAL 9016



Dark blue  
RAL 5011



Dark grey  
RAL 7016



Grey  
RAL 7005

### Product description

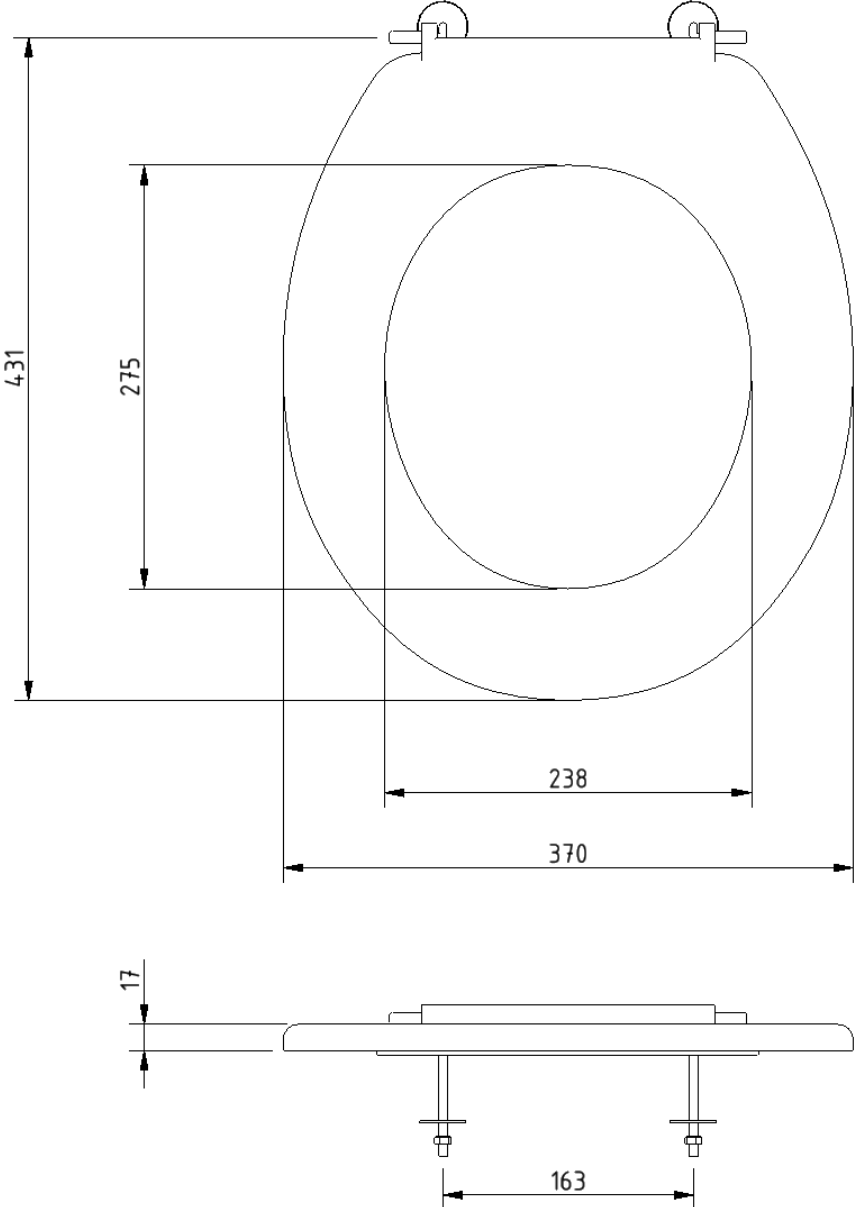
### Product code

Toilet seat, ring only, stainless steel pillar hinge, dark blue (RAL 5011)	260015/DB
Toilet seat, ring only, stainless steel pillar hinge, dark grey (RAL 7016)	260015/DG
Toilet seat, ring only, stainless steel pillar hinge, grey (RAL 7005)	260015/GY
Toilet seat, ring only, stainless steel pillar hinge, white (RAL 9016)	260015/WH

### Disclaimer

NYMAS Group makes every effort to ensure that the information provided on this data sheet is correct. However, we cannot guarantee this, and accept no liability for any information or advice given on this data sheet.

**Dimensions (mm)**





## Stainless steel grab rail with concealed fixings, 35mm diameter tube



### Product details

<b>Warranty:</b>	5 years
<b>Max rated load:</b>	185 kg
<b>Doc M compliant:</b>	Yes
<b>Suitable for wet areas:</b>	Yes

### Features

- Non-corrosive stainless steel construction
- Durable powder coated finish
- Concealed fixing
- Non-standard colour options available

### Finish options



White  
RAL 9016



Dark blue  
RAL 5011



Dark grey  
RAL 7016



Grey  
RAL 7005

### Product description

Grab rail, stainless steel, concealed fixings, 35mm diameter, 300mm
Grab rail, stainless steel, concealed fixings, 35mm diameter, 450mm
Grab rail, stainless steel, concealed fixings, 35mm diameter, 600mm
Grab rail, stainless steel, concealed fixings, 35mm diameter, 900mm

### Product code

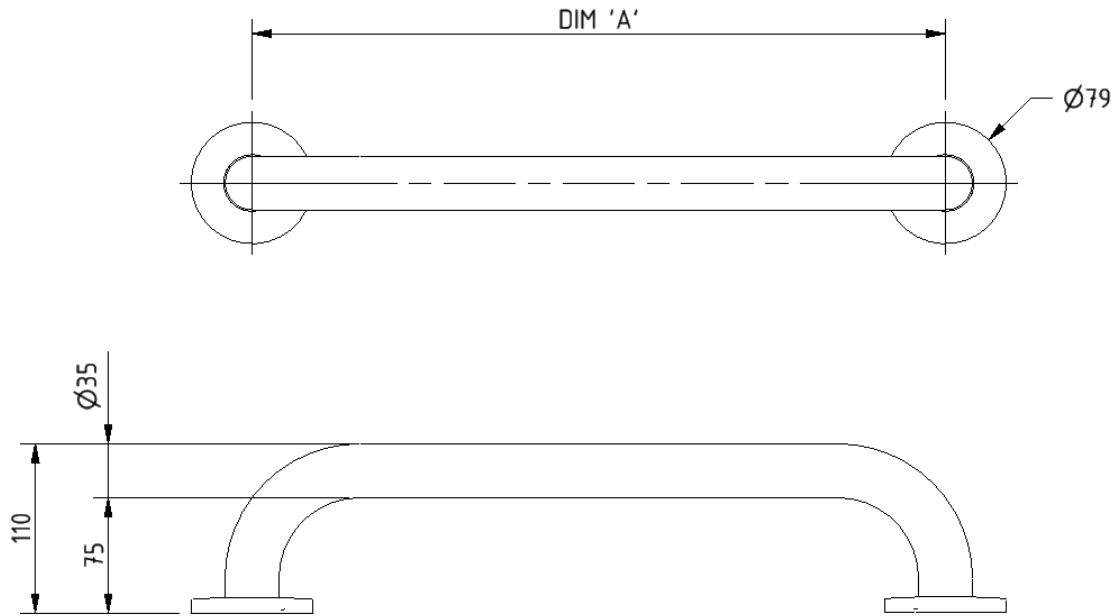
210130/**
210145/**
210160/**
210190/**

Replace \*\* with finish option code above e.g., 210160/DB

### Disclaimer

NYMAS Group makes every effort to ensure that the information provided on this data sheet is correct. However, we cannot guarantee this, and accept no liability for any information or advice given on this data sheet.

## Dimensions (mm)



PRODUCT CODE	210130/**	210145/**	210160/**	210190/**
DIM 'A'	300	450	600	900

## Round flange stainless steel grab rail with concealed fixings, 32mm diameter



### Product details

**Warranty:** 5 years

**Max rated load:** 200 kg

**Doc M compliant:** Yes

**Suitable for wet areas:** Yes

### Features

- Non-corrosive stainless steel construction
- Concealed fixings
- Complies with Part M of the Building Regulations

### Finish options



Satin  
Stainless Steel



Polished  
Stainless Steel

### Product description

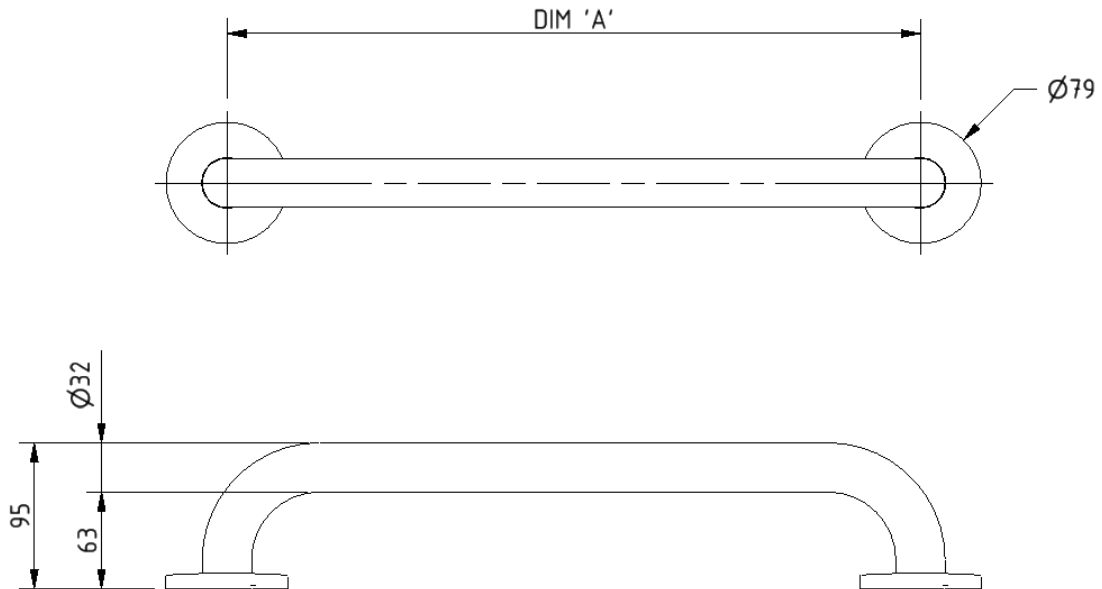
### Product code

Grab rail, stainless steel, concealed fixings, 32mm diameter, 300mm, polished	GR-12/32C/SP
Grab rail, stainless steel, concealed fixings, 32mm diameter, 300mm, satin	GR-12/32C/SS
Grab rail, stainless steel, concealed fixings, 32mm diameter, 450mm, polished	GR-18/32C/SP
Grab rail, stainless steel, concealed fixings, 32mm diameter, 450mm, satin	GR-18/32C/SS
Grab rail, stainless steel, concealed fixings, 32mm diameter, 600mm, polished	GR-24/32C/SP
Grab rail, stainless steel, concealed fixings, 32mm diameter, 600mm, satin	GR-24/32C/SS
Grab rail, stainless steel, concealed fixings, 32mm diameter, 900mm, polished	211090/SP
Grab rail, stainless steel, concealed fixings, 32mm diameter, 900mm, satin	211090/SS

### Disclaimer

NYMAS Group makes every effort to ensure that the information provided on this data sheet is correct. However, we cannot guarantee this, and accept no liability for any information or advice given on this data sheet.

## Dimensions (mm)



PRODUCT CODE	GR-12/32C**	GR-18/32C**	GR-24/32C**	211090/**
DIM 'A'	300	450	600	900