

Close coupled ambulant Doc M toilet pack with steel concealed fixing grab rails



Product details

Warranty:	See individual products
Max rated load:	See individual products
Doc M compliant:	Yes
Suitable for wet areas:	No

Features

- Complies with Part M of the Building Regulations
- Inlet valve and syphon Reg 4 Certified (WRAS, NSF, Kiwa, etc.)
- Lockable cistern option available (AMBCCC/LC/**)
- Concealed fixing grab rails
- Simple one box solution

Finish options



White
RAL 9016



Dark blue
RAL 5011



Dark grey
RAL 7016



Grey
RAL 7005

Product description

Close coupled ambulant Doc M toilet pack, steel, concealed fixings

Close coupled ambulant Doc M toilet pack, lockable cistern lid, steel, concealed fixings

Product code

AMBCCC/**

AMBCCC/LC/**

Replace ** with finish option code above e.g., AMBCCC/DB

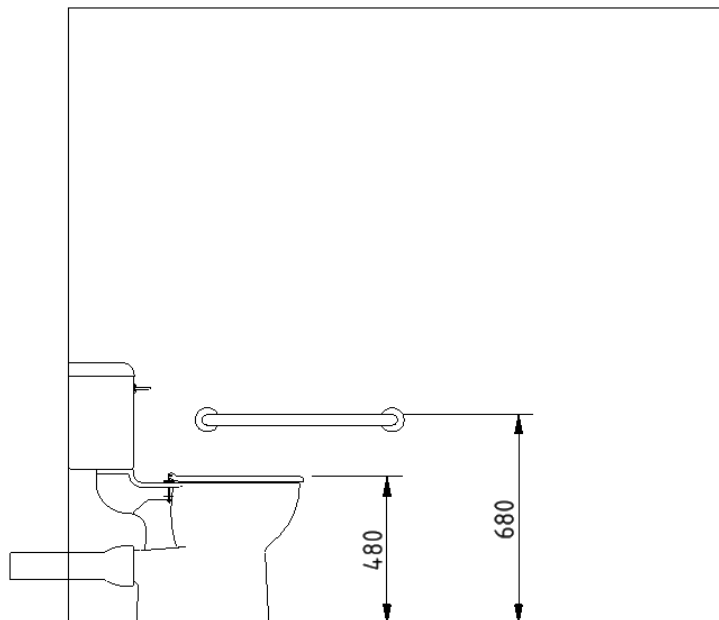
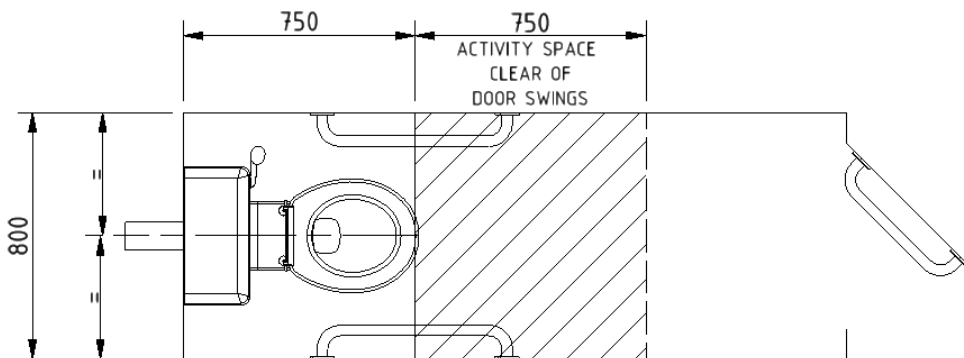
Disclaimer

NYMAS Group makes every effort to ensure that the information provided on this data sheet is correct. However, we cannot guarantee this, and accept no liability for any information or advice given on this data sheet.

Pack contents

- 2 x 600mm coated steel grab rails with concealed fixings
- 1 x 450mm coated steel grab rails with concealed fixings
- 1 x Close coupled box rim Doc M pan
- 1 x Close coupled cistern for box rim pan (optional lockable lid)
- 1 x Close coupled cistern fitting pack with Doc M spatula lever
- 1 x Ring only toilet seat

Dimensions (mm)



Close coupled box rim Doc M pan



Product details

Warranty:	Lifetime
Max rated load:	400 kg
Doc M compliant:	Yes
Suitable for wet areas:	Yes

Features

- Extended projection to aid compliance with Part M of the Building Regulations.
- UKCA and CE compliant
- Comfort height to allow easier side transfer from wheelchair

Finish options

WH

White
RAL 9016

Product description

Close coupled box rim Doc M pan, white

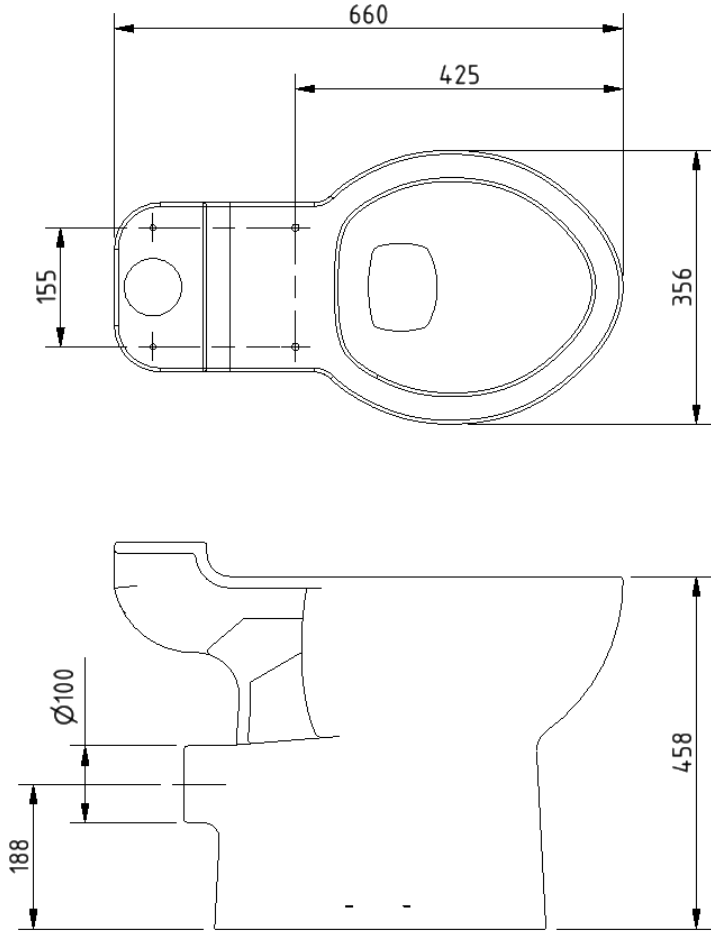
Product code

B-BWPANCC2-1

Disclaimer

NYMAS Group makes every effort to ensure that the information provided on this data sheet is correct. However, we cannot guarantee this, and accept no liability for any information or advice given on this data sheet.

Dimensions (mm)



Close coupled cistern for box rim pan



Product details

Warranty:	Lifetime
Max rated load:	n/a
Doc M compliant:	Yes
Suitable for wet areas:	Yes

Features

- Complies with Part M of the Building Regulations
- UKCA & CE compliant
- Suitable for front lever
- Bottom inlet
- Universal - either left or right handed
- Lockable lid option

Finish options

WH

White
RAL 9016

Product description

Close coupled cistern for box rim pan

Close coupled cistern with lockable lid for box rim pan

Product code

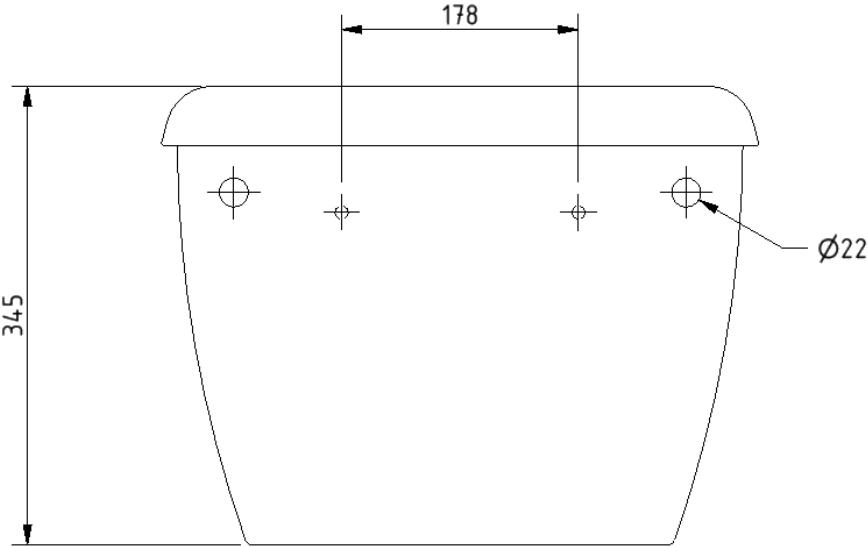
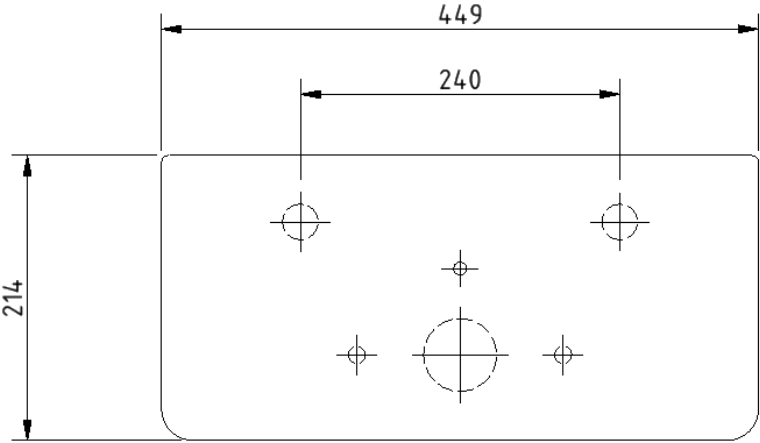
NY01-SW-11090-WH

NY01-SW-11099-WH

Disclaimer

NYMAS Group makes every effort to ensure that the information provided on this data sheet is correct. However, we cannot guarantee this, and accept no liability for any information or advice given on this data sheet.

Dimensions (mm)



Toilet seat, ring only, stainless steel pillar hinge



Product details

Warranty:	2 years
Max rated load:	150 kg
Doc M compliant:	Yes
Suitable for wet areas:	Yes

Features

- Complies with Part M of the Building Regulations
- Anti-bacterial, strong and durable Duroplast seat
- Ergonomic and comfortable shape
- Stainless steel hinge (bottom fix as standard)
Additional hinge pack to convert to top fix: NY-TOPFIXHINGE
- Adjustable locating buffers
- Fits close coupled, low level, back to wall and wall hung pans

Finish options



White
RAL 9016



Dark blue
RAL 5011



Dark grey
RAL 7016



Grey
RAL 7005

Product description

Toilet seat, ring only, stainless steel pillar hinge, dark blue (RAL 5011)
Toilet seat, ring only, stainless steel pillar hinge, dark grey (RAL 7016)
Toilet seat, ring only, stainless steel pillar hinge, grey (RAL 7005)
Toilet seat, ring only, stainless steel pillar hinge, white (RAL 9016)

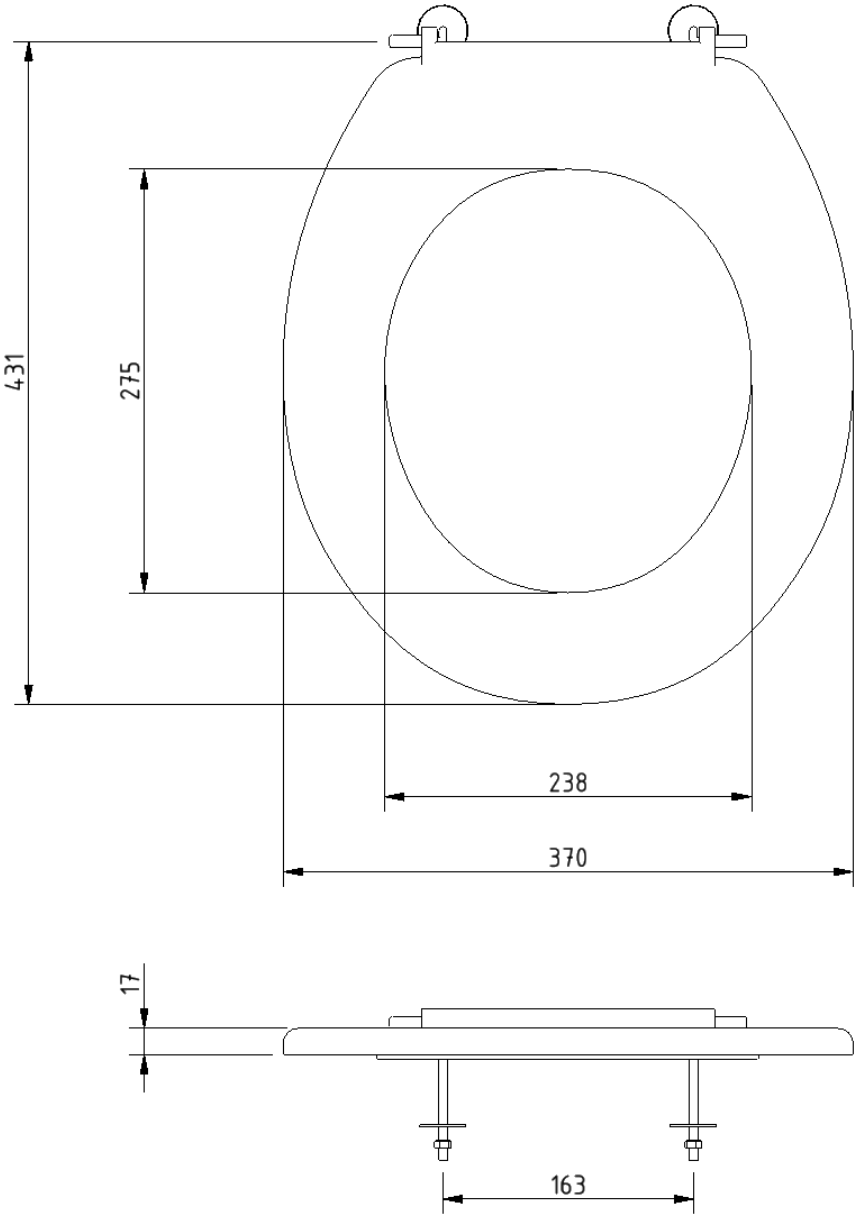
Product code

260015/DB
260015/DG
260015/GY
260015/WH

Disclaimer

NYMAS Group makes every effort to ensure that the information provided on this data sheet is correct. However, we cannot guarantee this, and accept no liability for any information or advice given on this data sheet.

Dimensions (mm)



Round flange steel grab rail with concealed fixings, 35mm diameter tube



Product details

Warranty:	2 years
Max rated load:	200 kg
Doc M compliant:	Yes
Suitable for wet areas:	No

Features

- Complies with Part M of the Building Regulations
- Robust steel construction
- Durable epoxy polyester coated finish
- Concealed fixing grab rails

Finish options



White
RAL 9016



Dark blue
RAL 5011



Dark grey
RAL 7016



Grey
RAL 7005

Product description

Round flange grab rail, steel, concealed fixings, 35mm diameter, 300mm
 Round flange grab rail, steel, concealed fixings, 35mm diameter, 450mm
 Round flange grab rail, steel, concealed fixings, 35mm diameter, 600mm
 Round flange grab rail, steel, concealed fixings, 35mm diameter, 900mm

Product code

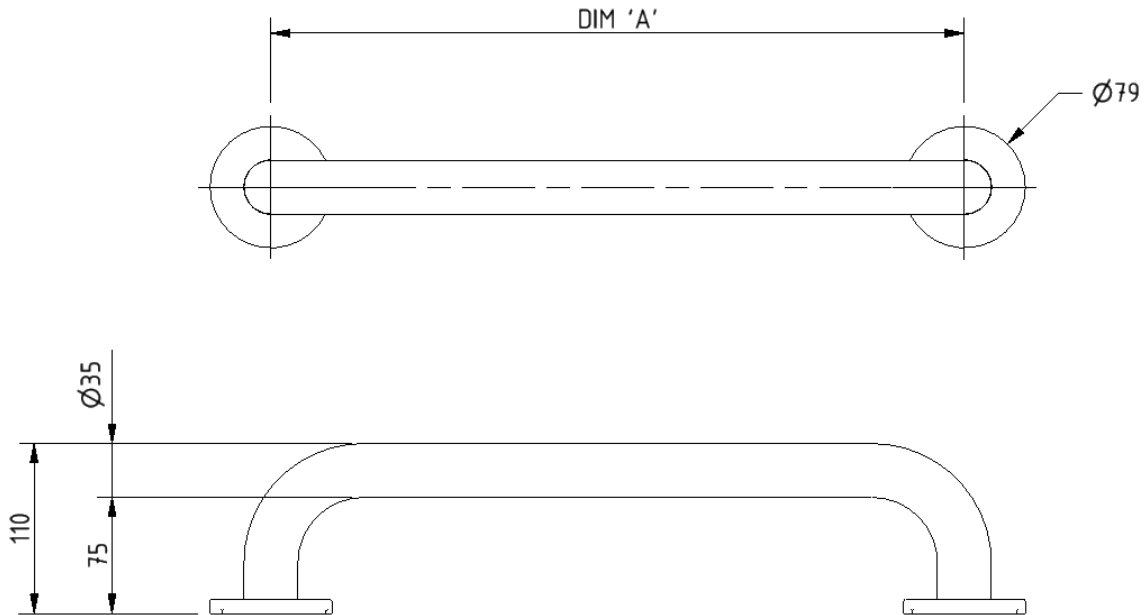
G1235C/**
 G1835C/**
 G2435C/**
 G3635C/**

Replace ** with finish option code above e.g., G2435C/DB

Disclaimer

NYMAS Group makes every effort to ensure that the information provided on this data sheet is correct. However, we cannot guarantee this, and accept no liability for any information or advice given on this data sheet.

Dimensions (mm)



PRODUCT CODE	G1235C/**	G1835C/**	G2435C/**	G3635C/**
DIM 'A'	300	450	600	900