

Close coupled ambulant Doc M toilet pack with steel exposed fixing grab rails



Product details

Warranty:	See individual products
Max rated load:	See individual products
Doc M compliant:	Yes
Suitable for wet areas:	No

Features

- Complies with Part M of the Building Regulations
- Inlet valve and syphon Reg 4 Certified (WRAS, NSF, Kiwa, etc.)
- Toilet seat with adjustable buffers and stainless steel hinge
- Simple one box solution

Finish options

WH

White
RAL 9016

DB

Dark blue
RAL 5011

DG

Dark grey
RAL 7016

GY

Grey
RAL 7005

Product description

- Close coupled ambulant Doc M toilet pack, steel, exposed fixings, white (RAL 9016)
- Close coupled ambulant Doc M toilet pack, steel, exposed fixings, dark blue (RAL 5011)
- Close coupled ambulant Doc M toilet pack, steel, exposed fixings, dark grey (RAL 7016)
- Close coupled ambulant Doc M toilet pack, steel, exposed fixings, grey (RAL 7005)

Product code

- AMBCC/WH
- AMBCC/DB
- AMBCC/DG
- AMBCC/GY

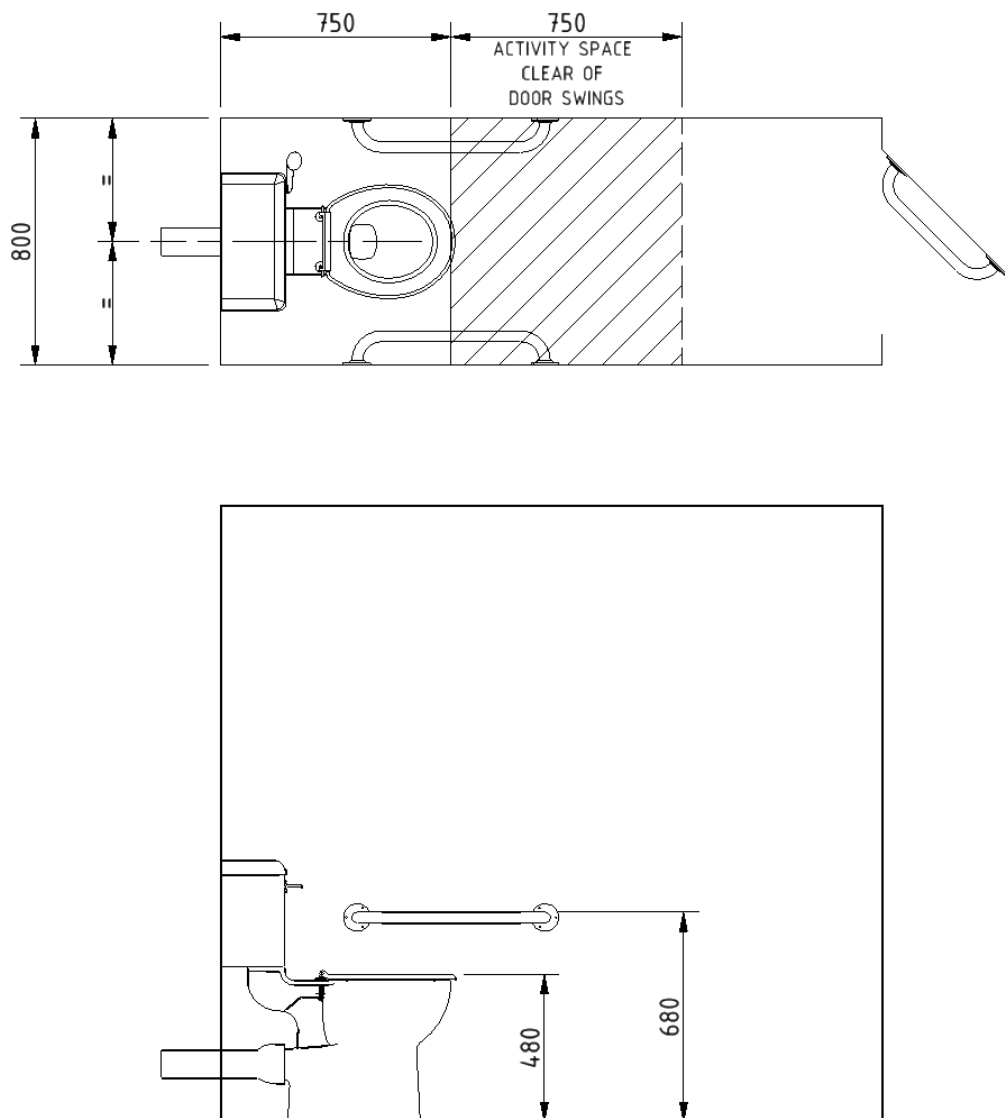
Disclaimer

NYMAS Group makes every effort to ensure that the information provided on this data sheet is correct. However, we cannot guarantee this, and accept no liability for any information or advice given on this data sheet.

Pack contents

- 2 x 600mm coated steel grab rail with exposed fixings
- 1x 450mm coated steel grab rail with exposed fixings
- 1 x Close coupled box rim Doc M pan
- 1 x Close coupled cistern for box rim pan
- 1 x Close coupled cistern fitting pack with Doc M spatula lever
- 1 x Ring only toilet seat

Dimensions (mm)



Close coupled box rim Doc M pan



Product details

Warranty:	Lifetime
Max rated load:	400 kg
Doc M compliant:	Yes
Suitable for wet areas:	Yes

Features

- Extended projection to aid compliance with Part M of the Building Regulations.
- UKCA and CE compliant
- Comfort height to allow easier side transfer from wheelchair

Finish options

WH

White
RAL 9016

Product description

Close coupled box rim Doc M pan, white

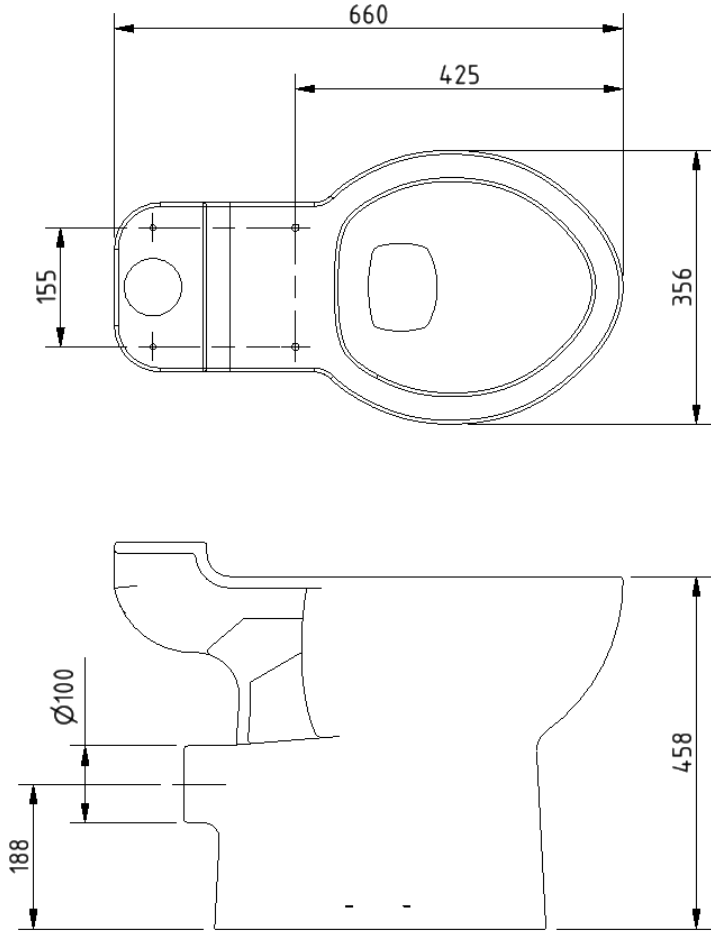
Product code

B-BWPANCC2-1

Disclaimer

NYMAS Group makes every effort to ensure that the information provided on this data sheet is correct. However, we cannot guarantee this, and accept no liability for any information or advice given on this data sheet.

Dimensions (mm)



Close coupled cistern for box rim pan



Product details

Warranty:	Lifetime
Max rated load:	n/a
Doc M compliant:	Yes
Suitable for wet areas:	Yes

Features

- Complies with Part M of the Building Regulations
- UKCA & CE compliant
- Suitable for front lever
- Bottom inlet
- Universal - either left or right handed
- Lockable lid option

Finish options

WH

White
RAL 9016

Product description

Close coupled cistern for box rim pan

Close coupled cistern with lockable lid for box rim pan

Product code

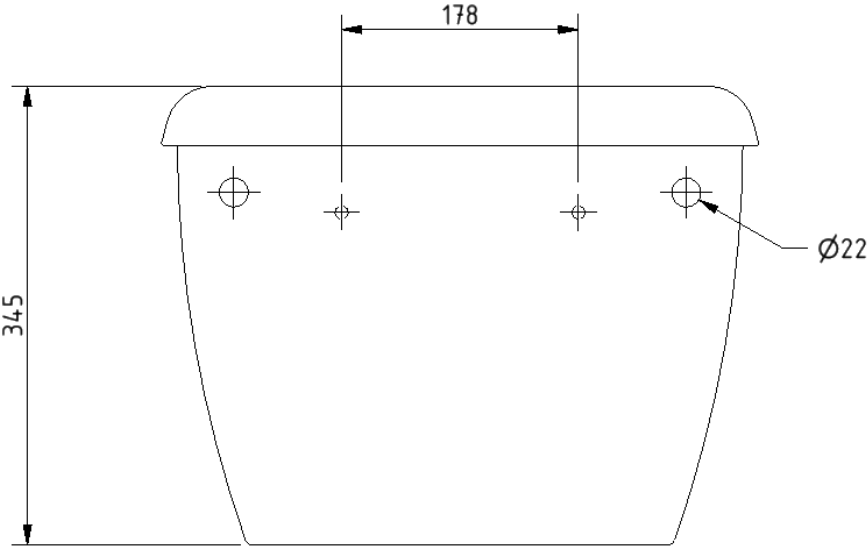
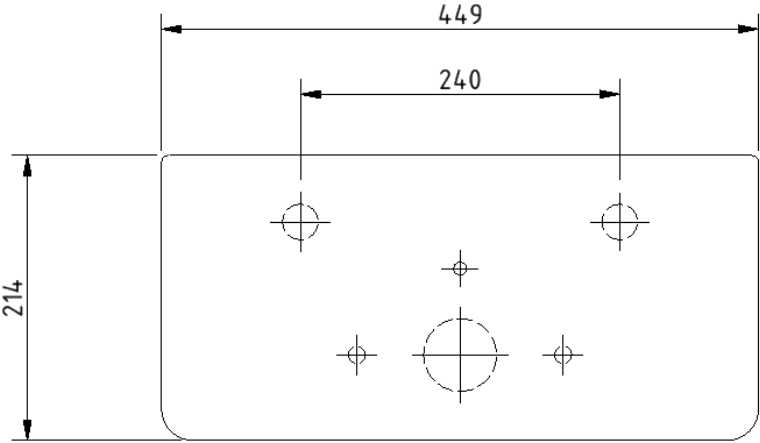
NY01-SW-11090-WH

NY01-SW-11099-WH

Disclaimer

NYMAS Group makes every effort to ensure that the information provided on this data sheet is correct. However, we cannot guarantee this, and accept no liability for any information or advice given on this data sheet.

Dimensions (mm)



Toilet seat, ring only, stainless steel pillar hinge



Product details

Warranty:	2 years
Max rated load:	150 kg
Doc M compliant:	Yes
Suitable for wet areas:	Yes

Features

- Complies with Part M of the Building Regulations
- Anti-bacterial, strong and durable Duroplast seat
- Ergonomic and comfortable shape
- Stainless steel hinge (bottom fix as standard)
Additional hinge pack to convert to top fix: NY-TOPFIXHINGE
- Adjustable locating buffers
- Fits close coupled, low level, back to wall and wall hung pans

Finish options



White
RAL 9016



Dark blue
RAL 5011



Dark grey
RAL 7016



Grey
RAL 7005

Product description

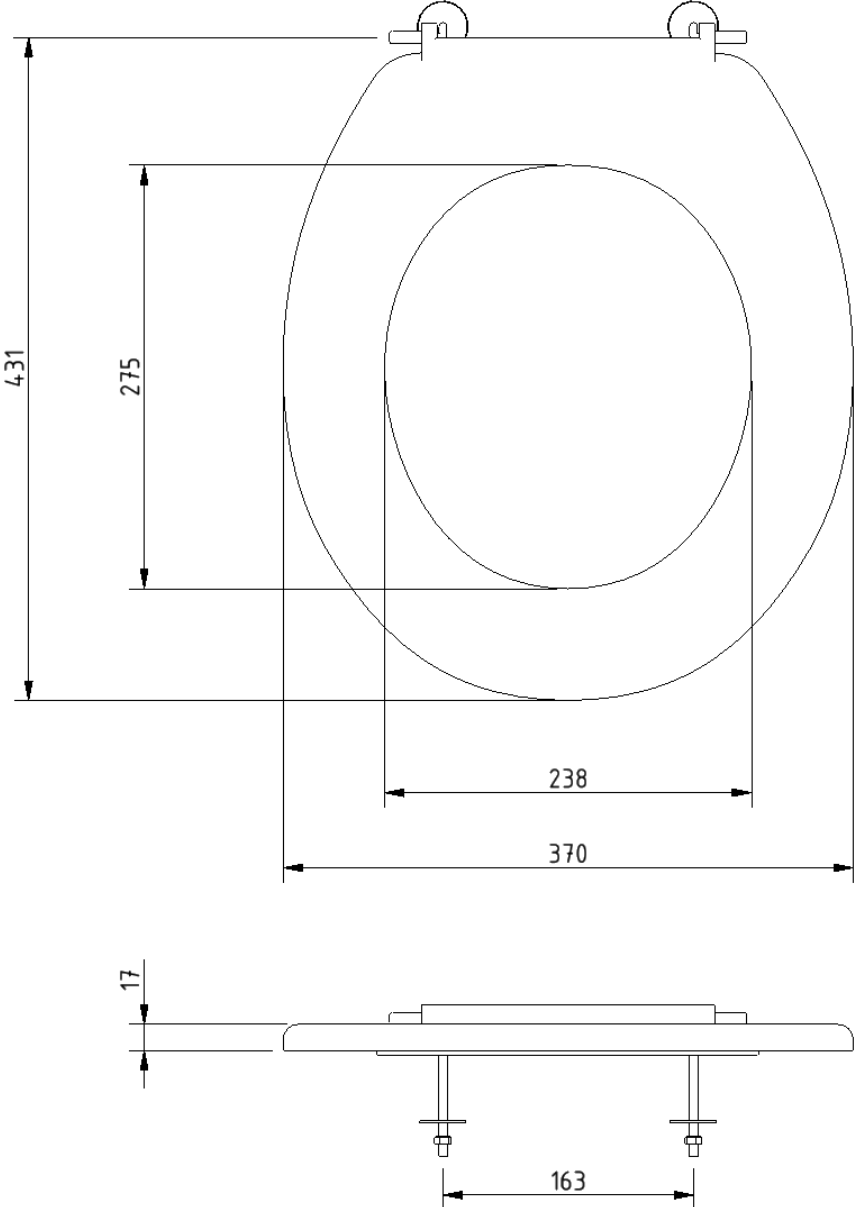
Product code

Toilet seat, ring only, stainless steel pillar hinge, dark blue (RAL 5011)	260015/DB
Toilet seat, ring only, stainless steel pillar hinge, dark grey (RAL 7016)	260015/DG
Toilet seat, ring only, stainless steel pillar hinge, grey (RAL 7005)	260015/GY
Toilet seat, ring only, stainless steel pillar hinge, white (RAL 9016)	260015/WH

Disclaimer

NYMAS Group makes every effort to ensure that the information provided on this data sheet is correct. However, we cannot guarantee this, and accept no liability for any information or advice given on this data sheet.

Dimensions (mm)



Round flange steel grab rail with exposed fixings, 35mm diameter tube



Product details

Warranty:	2 years
Max rated load:	200 kg
Doc M compliant:	Yes
Suitable for wet areas:	No

Features

- Complies with Part M of the Building Regulations
- Robust steel construction
- Durable epoxy polyester coated finish

Finish options

WH

White
RAL 9016

DB

Dark blue
RAL 5011

DG

Dark grey
RAL 7016

GY

Grey
RAL 7005

Product description

Round flange grab rail, steel, exposed fixings, 35mm diameter, 305mm
 Round flange grab rail, steel, exposed fixings, 35mm diameter, 455mm
 Round flange grab rail, steel, exposed fixings, 35mm diameter, 610mm
 Round flange grab rail, steel, exposed fixings, 35mm diameter, 900mm

Product code

GR-12/35/**
 GR-18/35/**
 GR-24/35/**
 GR-36/35/**

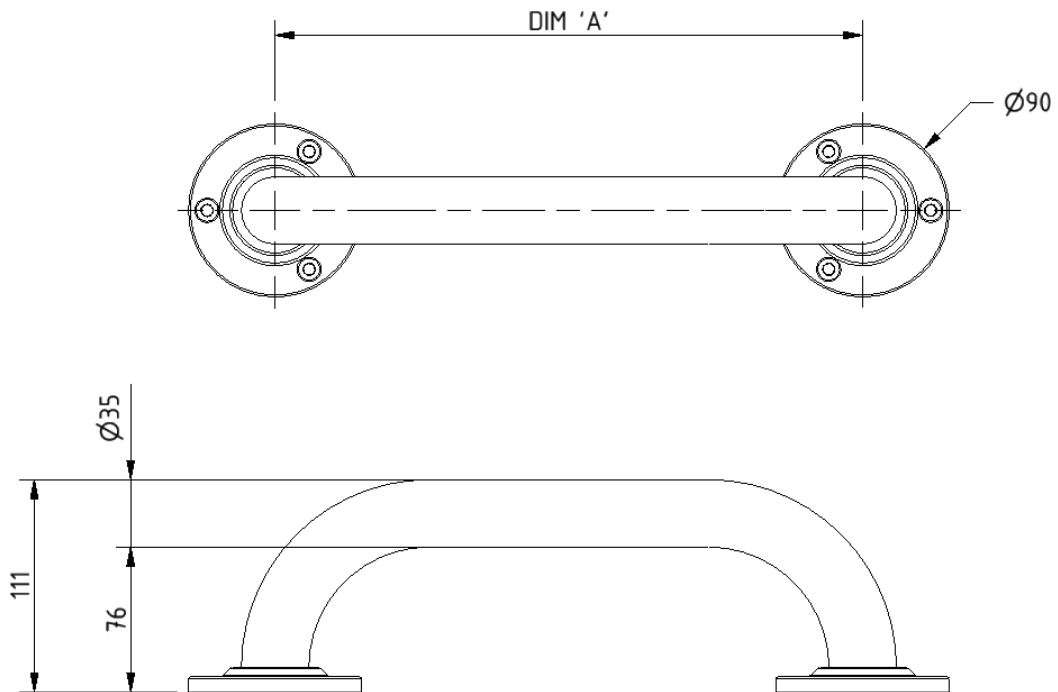
Replace ** with finish option code above e.g., GR-18/35/DB

Note: GR-12/35 is only available in WH finish

Disclaimer

NYMAS Group makes every effort to ensure that the information provided on this data sheet is correct. However, we cannot guarantee this, and accept no liability for any information or advice given on this data sheet.

Dimensions (mm)



PRODUCT CODE	GR-12/35/**	GR-18/35/**	GR-24/35/**	GR-36/35/**
DIM 'A'	305	455	610	900