



Installation and Operating Instructions

Premium wall mounted shower seat with legs, backrest and pads



Premium wall mounted shower seat with legs & pad

335002/BL

Premium wall mounted shower seat with legs, backrest & pads

335004/BL

Available colours: **BLACK (BL)**.

Congratulations on the purchase of your wall mounted folding shower seat. This shower seat has been designed for general domestic use to give users extra support in the shower. It provides support and assists with the independent sitting of persons while washing, regardless of physical ability.

Warnings:

- Always read the installation, operating and maintenance instructions.
- Due to manufacturing tolerances we do not recommend pre-drilling wall fixing holes before physically receiving this product.
- A thorough check must be carried out on receiving delivery of this product and report any defects immediately.
- Opening the packaging without due care and attention could result in damage to the product or injury to yourself or others.
- This product must be stored in a dry place, the right way up and not stacked under other equipment on site.
- The wall/floor on which the seat is installed must be flat and capable of taking the load.
- Non-corrosive fixings should be used to fix this product to the wall.
- Installation must be carried out by a qualified tradesman using suitable fixings for the wall substrate.
- Never alter the fixing holes as this could affect the strength and integrity of the shower seat.
- Improper installation / use can cause accidents and injuries. Make sure the legs are in a vertical position.
- IEE electrical earthing regulations may apply to this product. Consult a qualified electrician.
- The Max Rated load is 250kg.
- The Max Rated load for the arm rests is 100kg per pair.
- The arm rests are designed for user comfort and should not be used to take users weight.
- After installation, a functional test must be carried out prior to use and recheck the legs are in a vertical position.
- These instructions should be retained by the user of the product for its whole life time.
- Ensure that the adjustable legs are extended to the correct length for fitted height of the seat prior to use.
- Never adjust the leg heights after the seat has been fixed to the wall as this may make the seat unsafe to use.
- Do not unscrew the rubber foot any more than 30mm, the thread showing should be 30mm or less
- Do not use the shower seat for any purpose other than that for which it was designed.
- Do not use the seat if damaged / not securely fixed to the wall as this may cause injury.
- Do not place matches / cigarettes on or near this product.
- Keep poly bag packaging away from children.
- Beware the seat should not be subjected to impact.
- Beware due to trap hazards, ensure no part of the body is under, in the way of or in-between the seat mechanisms before folding the seat and / or armrests.
- Ensure the folding seat / leg frame label instruction is adhered to. To prevent damage to the mechanism.
- Ensure the armrests have some friction in the folding mechanism to hold themselves up when folding to the vertical position.
- This product should not be used for extended periods of time.
- Surfaces of this seat may become slippery when wet and soapy.
- Never use any part for support when folded up in the vertical position.
- To maintain the integrity and functionality of this product, regular cleaning and inspection is necessary.
- If in doubt, carry out your own risk assessment for each installation.

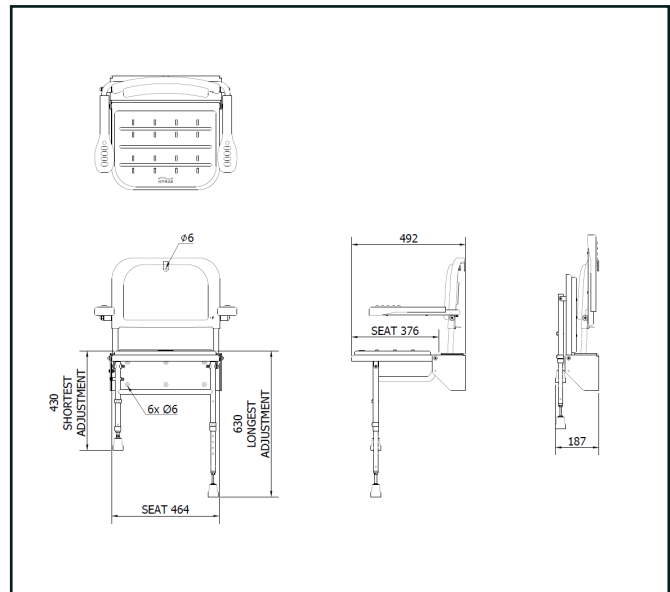


Installation and Operating Instructions

Installation:

Installation should be carried out by a suitably qualified tradesman using correct fixings for the floor substrate. Fixings are not supplied with this product to allow the correct fixing method to be selected per installation. Consult a fixing manufacturer if unsure of which type of fixings to use.

1. Once the correct wall fixings have been selected, 6 x 6mm fixings should be used. Seats with a backrest have 1 x extra seat 6mm diameter hole at the top centre of the backrest frame. The backrest will need to be slid up and unclipped off the frame to access this fixing hole.
2. Offer seat up to the wall at the height required and adjust the leg heights so that the seat is horizontal. Check the seat is level and both legs are at the same e-clip height adjustment. Fine levelling adjustment can be made using the threaded foot.
3. Mark the fixing hole locations.
4. Drill holes in the wall of a diameter and depth recommended by supplier of wall fixings. Make sure the legs are in a vertical position before fixing the seat into position.
5. Always carry out a functional test after installation and report any issues immediately.
6. Please leave these instructions with the user.



Using this product:

ALWAYS check the seat is fitted securely to the wall and shows no signs of wear or damage prior to use. The seat folds down from the wall by gently pulling out the leg frame before pulling the top of the seat to lower to horizontal position (as per frame label instruction). To fold the seat up against the wall, carefully lift the seat up towards the wall until it reaches the vertical position back against the wall or backrest. To ensure the seat stays in the vertical position when not in use, push the leg frame cross bar back as far as possible. Please keep these instructions in a safe place for future use. These instructions are available in braille if required.

Cleaning and maintenance:

This shower seat must be checked regularly by a qualified personnel to ensure that it is in perfect working order. This shower seat can be cleaned using only a very mild detergent. Do not use acidic, alkaline, chlorine based or abrasive cleaning materials. If the seat has a pad it is recommended that this is removed regularly for thorough cleaning.

Packaging:

This shower seat is supplied in a plastic (LDPE) bag and cardboard box to keep the product unsoiled until installation. Both are suitable for recycling operations and should be disposed of in accordance with local recycling regulations.

Warranty:

The standard of manufacture and quality control allows Nymas to offer warranties on all products. The W symbol denotes the number of years covered if different to the standard 1 year warranty. Where L appears this means the product is guaranteed for life (terms and conditions apply).

Disclaimer:

Nymas pursues a policy of continuing improvement in design and performance of its products and so reserves the right to change specifications without prior notice. The information contained on this document was correct at date of issue and dimensions are provided as a guide only. Some variation may occur due to manufacturing tolerances.

We accept no liability whatsoever for personal injury or damage to property that is or has been caused due to incorrect assembly, installation, or use of this product. Failure to install / use this product in line with these instructions will invalidate any warranty and may affect product safety.