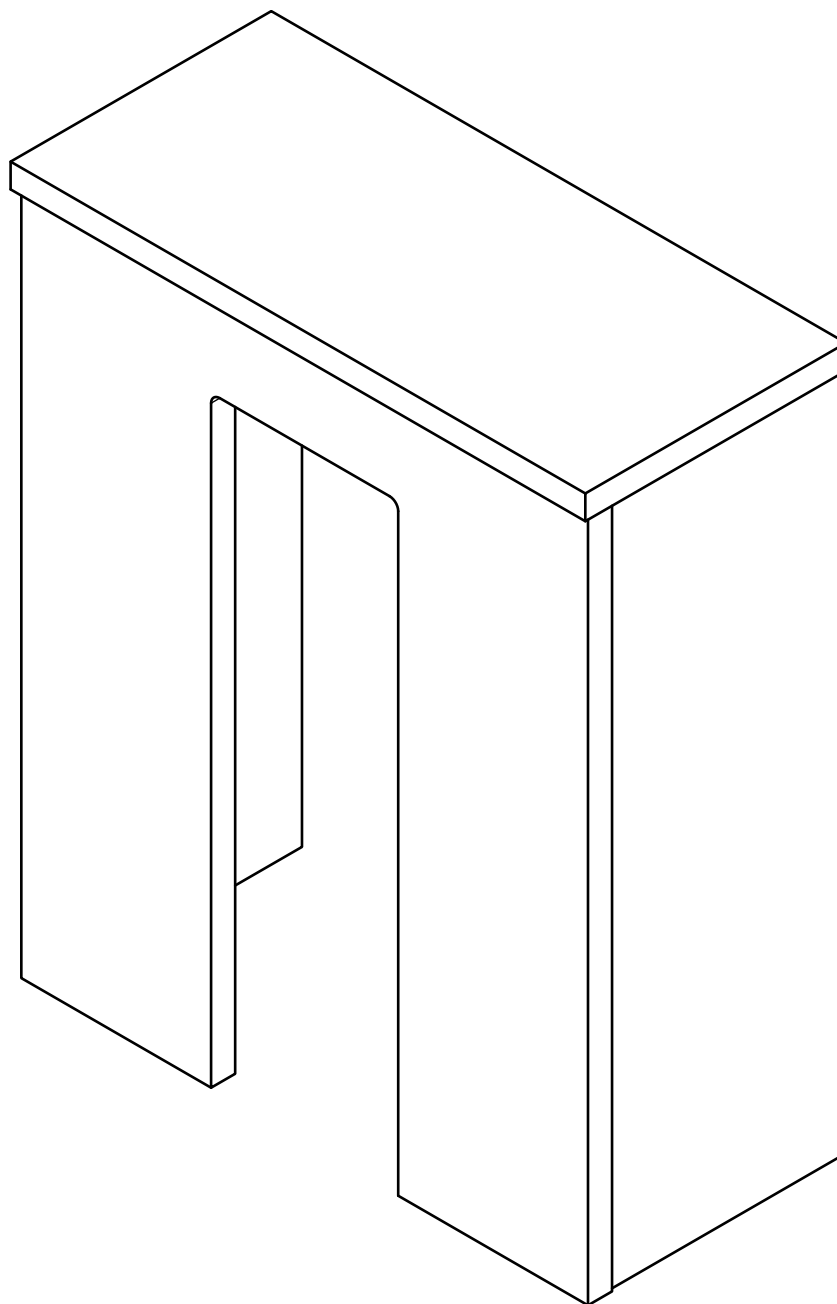


Installation, Operation, and Maintenance Manual



Product code: BPLBOX

Description: BACK BOX FOR BACK TO WALL PAN, WITH FIXINGS

Disclaimer:

NYMAS Group pursues a continuous improvement strategy in the design and performance of its products and reserves the right to change specifications without prior notice - terms and conditions apply. The information contained in this document is correct at date of issue. Dimensions are provided as a guide only - some variation may occur due to manufacturing tolerances.

NYMAS Group accepts no liability whatsoever for personal injury or damage to product(s) or property that has been caused by incorrect assembly, installation, or use of this product. Failure to install/use this product in line with the instructions in this manual will invalidate any warranty and may affect product safety.

Safety warnings:



Always read the installation, operation, and maintenance manual. Installation should be carried out by a suitably qualified tradesman using the correct wall fixings for the wall substrate. Familiarise yourself with these warning before beginning any work:

- Pre-drilling fixing holes is not recommended before physically receiving this product.
- A thorough check must be carried out upon receipt and any defects reported immediately.
- Opening the packaging without due care and attention could result in damage to the product or injury.
- This product must be stored in a dry place, the correct way up and not stacked under other equipment.
- Ensure that the surface which the product is to be fitted is flat.
- Non-corrosive fixings must be used to fix this product to the surface.
- The installer must thoroughly check the integrity of the assembled and installed product.
- Improper installation/use may cause accidents and injuries.
- This manual should be retained by the end user/property owner for the life of the product.
- The product should not be subjected to impact.
- Do not use the product if it appears damaged.
- If in doubt, carry out your own risk assessment and/or quality check for each installation.
- This product is not load bearing and under no circumstances should be used as a step / storage surface / shelf.

Product cleaning:



CAUTION - Improper cleaning can lead to surface damage and injury.

- Clean the product as and when needed.
- Follow the cleaning product manufacturer's advice about contact time, concentration, safety etc.
- Try on an inconspicuous area first.
- Do not use any cleaning products with an unknown composition.
- Note the material specific information on suitable/unsuitable cleaning products.

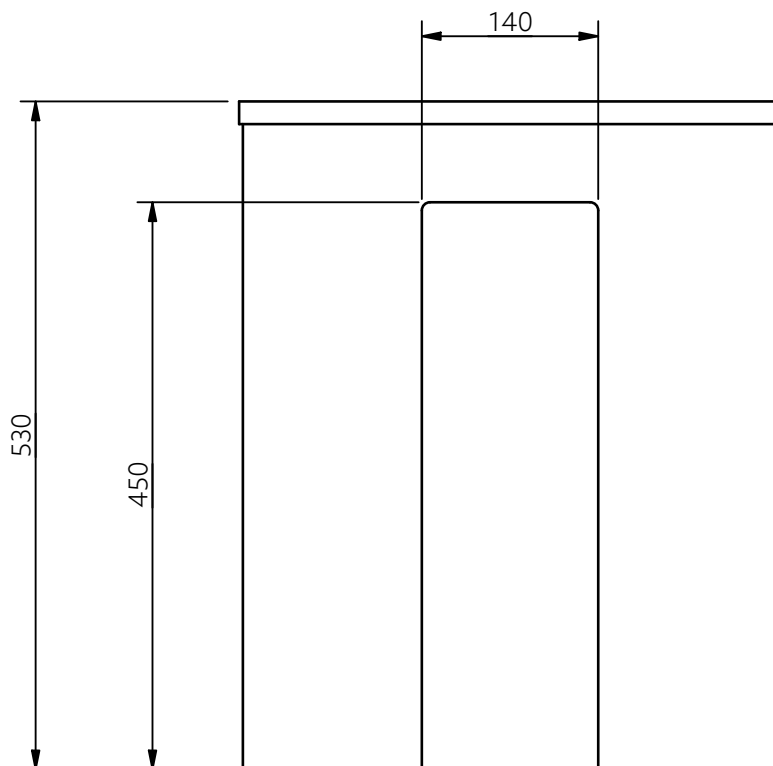
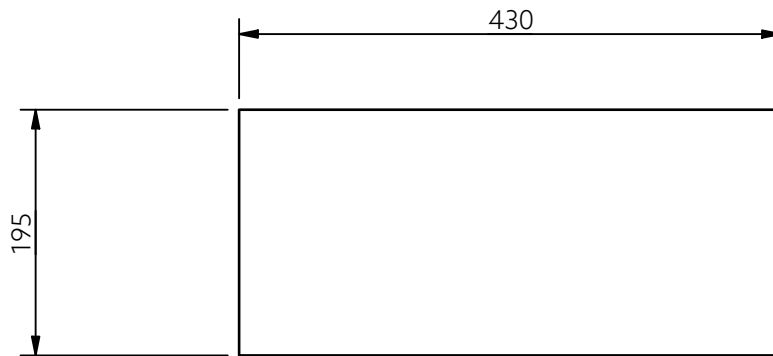
Unsuitable cleaning products:

- Abrasive products (e.g., scoured/scouring agents, brushes, steel wool, dirt easers, microfibers).
- Acidic, alkaline, chlorine and solvent based cleaning products.
- Steam cleaners.
- **DO NOT** use cleaning components containing iron (e.g., scour sponge, steel wool).
- **DO NOT** expose to excessive amounts of water.

Disposal:

Dispose of this product and packaging in line with local authority regulations.

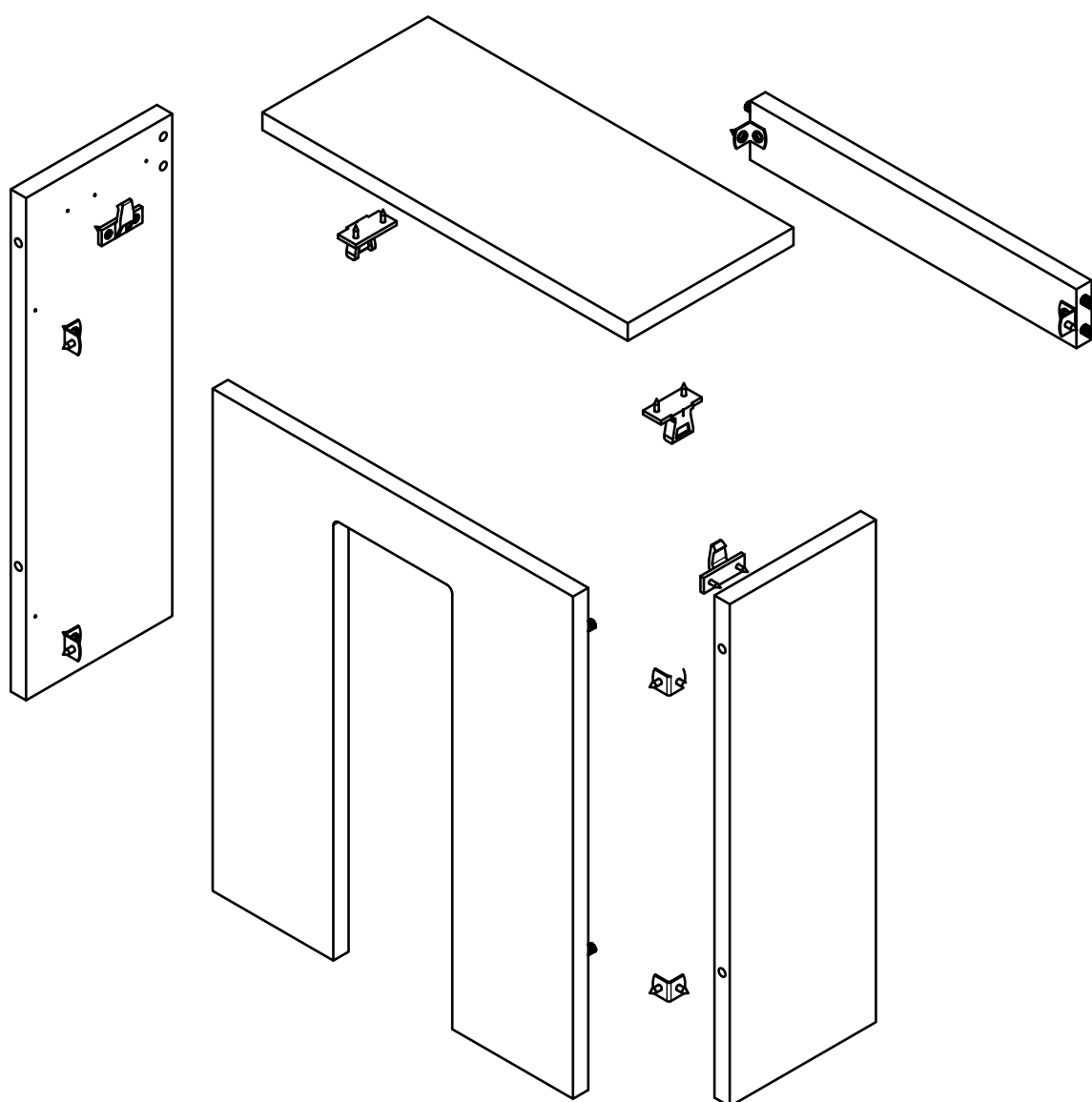
Product dimensions: (mm)



Tools required:



Exploded view:



Pre-installation:



CAUTION - Ensure safety warnings section of this document has been read.

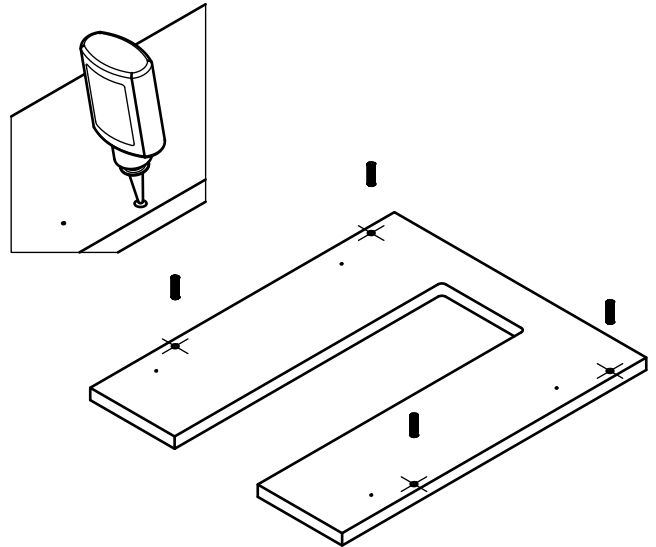
CAUTION - Use of power drill is not recommended.

Installation:

1.

The front panel is shown.

Apply a small amount of PVA glue to all of the dowel holes, then insert the 4 x dowels.



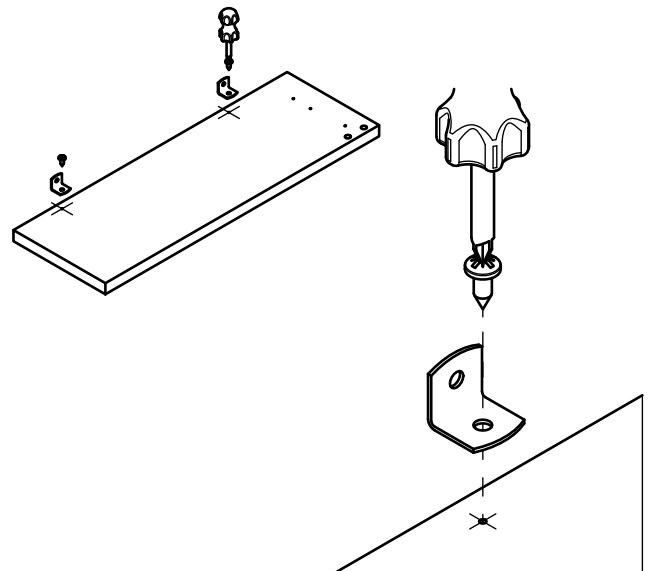
2.

The right hand side panel is shown.

Locate 2 x 19mm x 19mm angle brackets as shown; fix both brackets to the panel using 4.8mm X 13mm PZ2 Pan Head screw.

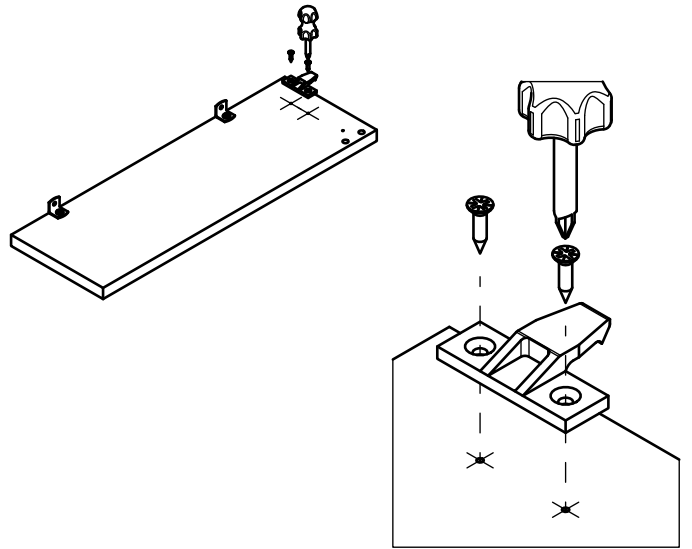


Do not fully tighten!



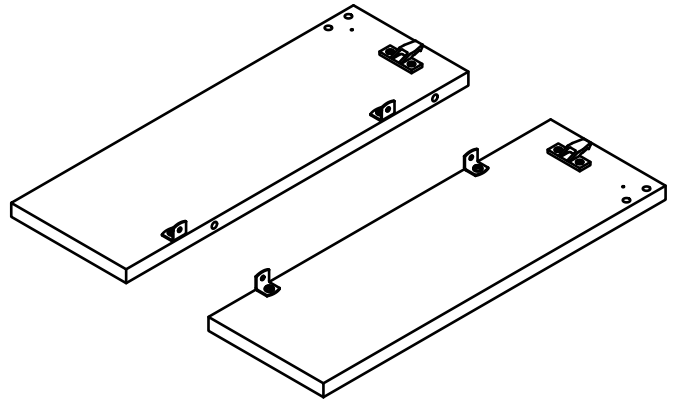
3.

Fix the bracket (flat component) to the 2 x holes.
Fix the components using Countersink Wood Screws - 3.5mm x 16mm.



4.

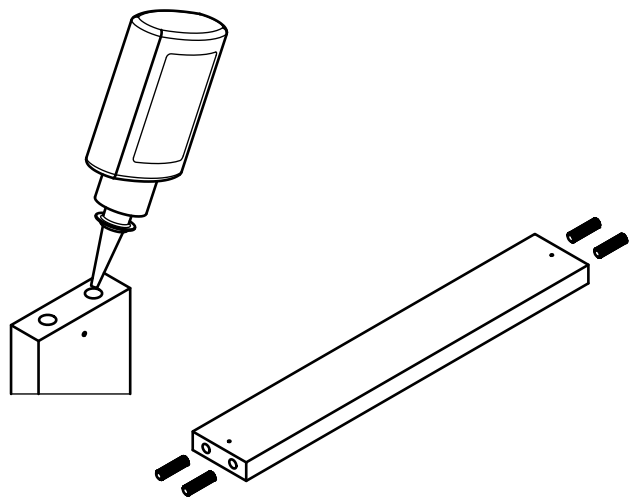
Repeat Steps 2 & 3 to assemble the left-hand side panel.



5.

Apply a small amount of PVA glue to the 4 x dowel holes on the brace.

Place all dowels into the glued holes. Knock in gently with hammer, ensuring they have a strong hold.

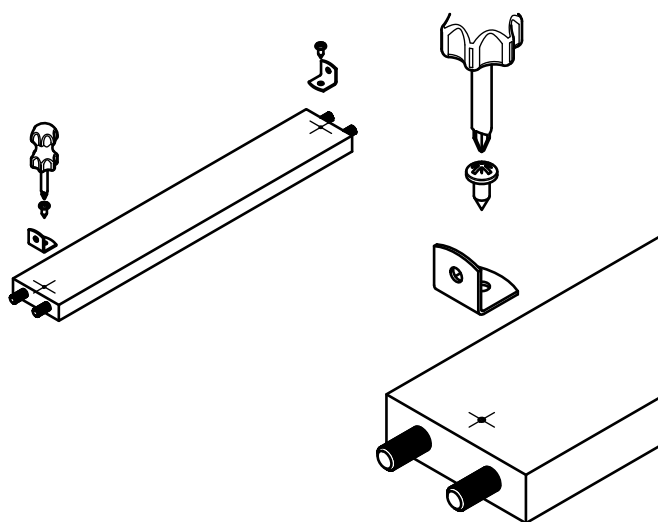


6.

Fix the 2 x 19mm x 19mm fixing brackets onto the brace, using 4.8mm X 13mm PZ2 SS Self Tap Pan Head.



Do not fully tighten.

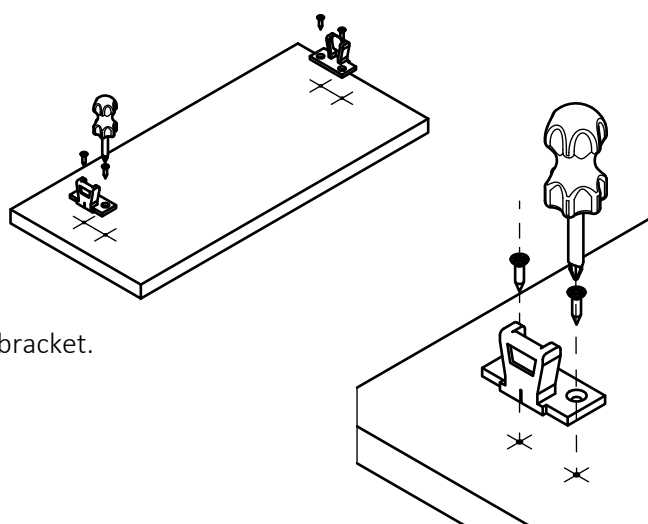


7.

The lid is shown.

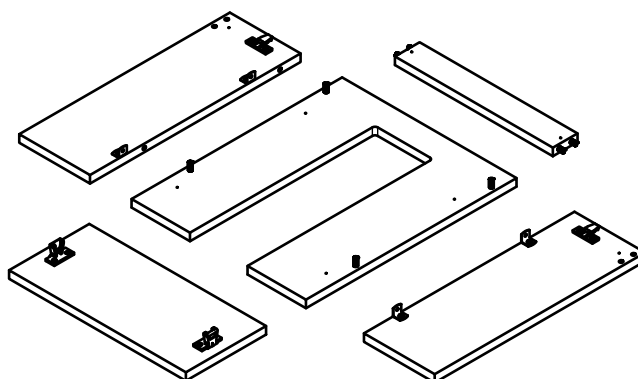
The 4 x fixing holes are intended for the secondary part of the fasteners set (right-angled component)..

Fix the right angled fastener using 2 x Countersink Wood Screws - 3.5mm x 16mm per bracket.



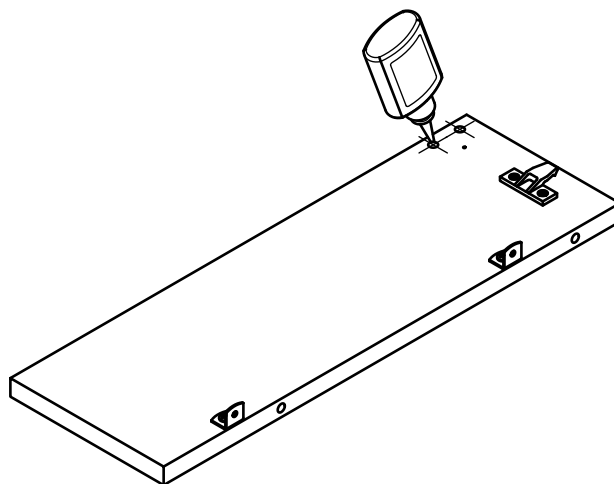
8.

All elements should now be assembled as pictured.



9.

Take the panel pictured and apply a small amount of glue to the 2 x dowel holes.



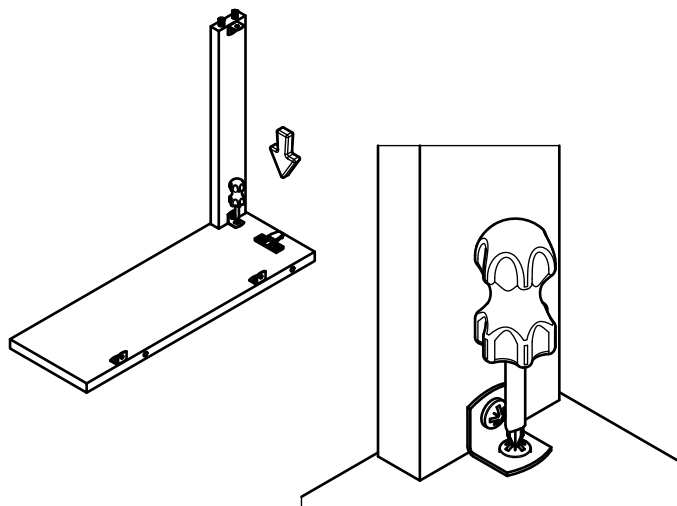
10.

Connect the brace to the side panel, positioning the end dowels into the glued holes.

Once the brace has a strong hold, use 4.8mm x 13mm PZ2 Pan Head screws to fix the L brackets to the side panel.



Do not fully tighten.

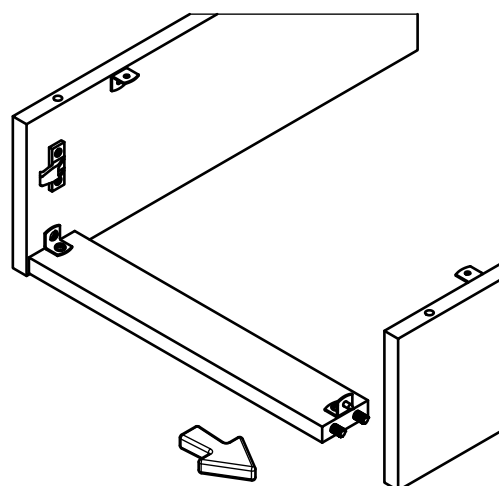


11.

Using the right handed side panel, repeat step 10. Wipe any excess glue away from surfaces.

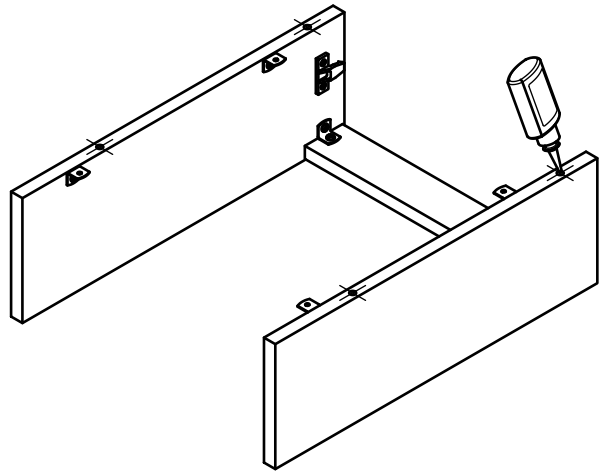


Caution - Excess glue may spill out, do not construct on soft furnishings / non-washable surfaces.



12.

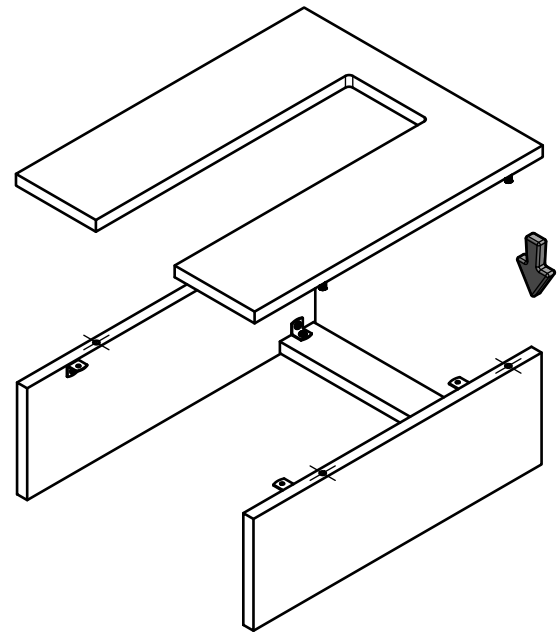
The side panels and brace are now assembled, apply PVA glue to the 4 dowel holes on the side panels as shown.



13.

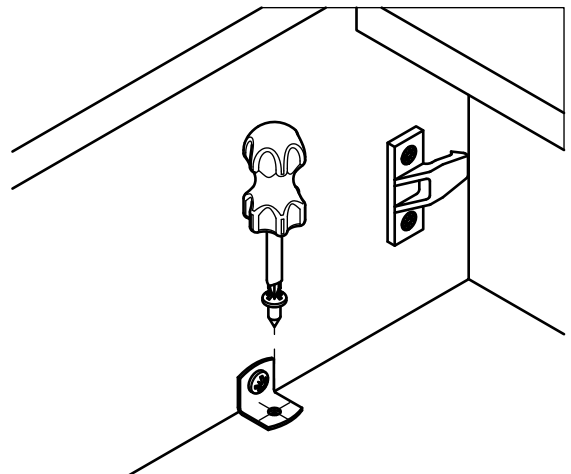
Position the front panel and align with the dowels.

Apply pressure and ensure panels align squarely.



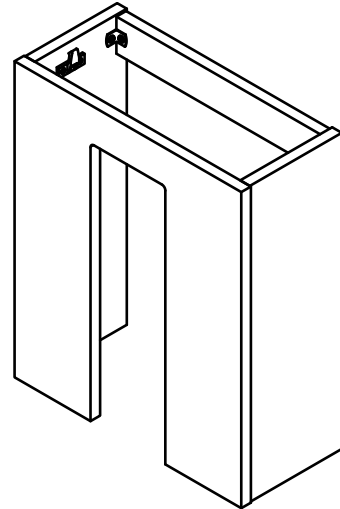
14.

Secure the front panel using 4 x L brackets, using 4.8mm X 13mm PZ2 Pan Head screws.



15.

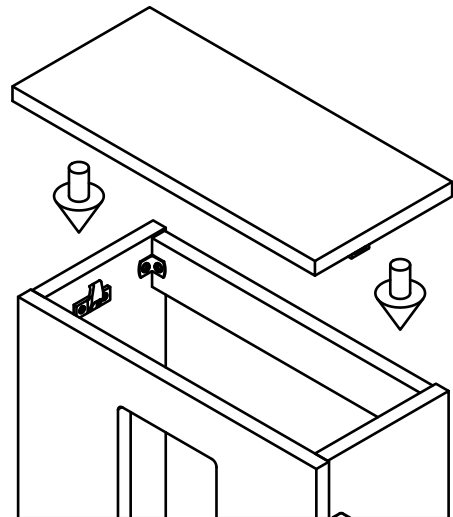
Stand the assembly on its base, ensure all screws are fastened securely and the unit sits squarely.



16.

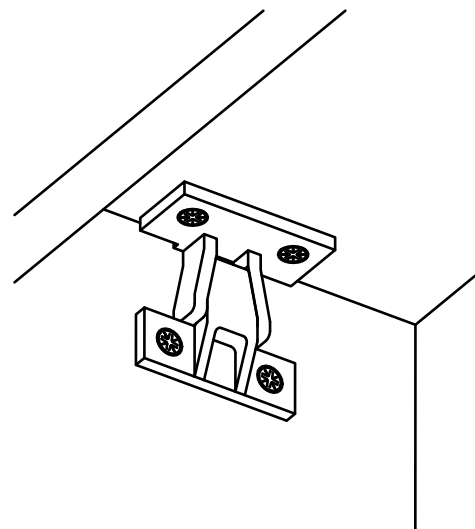
Align the lid, lining up the black right angled fasteners.

Push down gently - the lid will snap on and sit flush on top.



17.

Visually check the fastener engagement. The fasteners should appear as pictured and engage fully.



18.

Securing to wall:

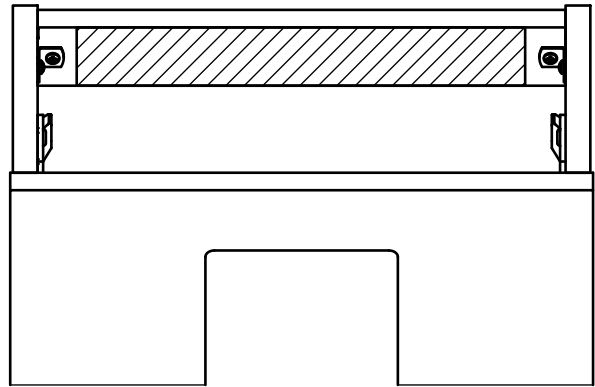
Remove lid to access the internals (lift the lid directly upwards with a small degree of force, the lid will then pop off).

The hatched area on the brace (right) shows the recommended area to add fixing holes.

2 wall fixings minimum suggested.

When drilling through the brace, start with small pilot holes to avoid damage to the chipboard material.

Replace lid once fixed to wall.



19.

The BPLBOX is now fully assembled.



No wall fixings are supplied with the product due to varying wall structures.

