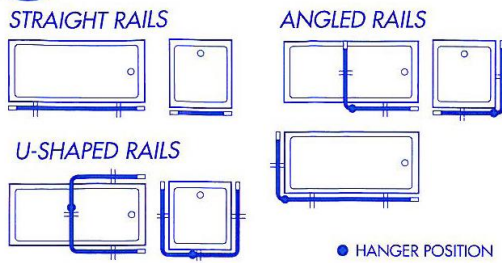


STRAIGHT ANGLE AND U RAIL FITTING INSTRUCTIONS

Fig. 1



Key

- | | |
|-------------------------------|-------------------------------------|
| No. 1 Rail | No. 9 Cover Strip |
| No. 2 Bracket | No. 10 Glider Clip |
| No. 3 1/2 No 6 Self tap Screw | No. 11 Hanger Bottom |
| No. 4 Clamping Bars | No. 12 Hanger Rod |
| No. 5 1 1/2 x 8 Wood Screws | No. 13 Hanger Top |
| No. 6 Red Plug | No. 14 1/4 No 4 Self tapping Screw |
| No. 7 Glider | No. 15 5/16 No 4 Self tapping Screw |
| No. 8 End Stop | |

Fig. 2

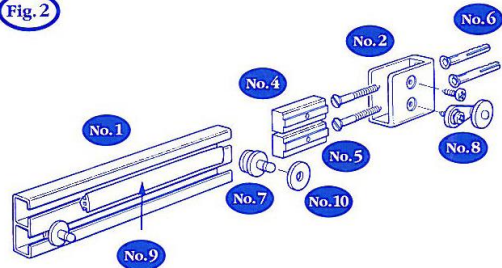


Fig. 3

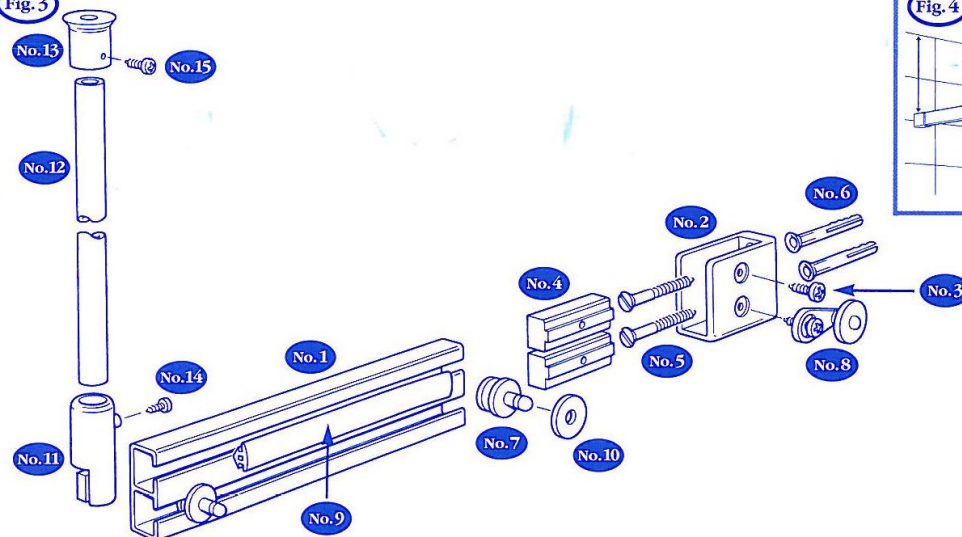
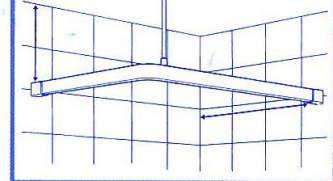


Fig. 4



STRAIGHT RAIL

- 1 Remove rail and fittings from protective sleeve.
- 2 Remove wall brackets (No.2) from rail (No.1) by removing screws (No.5), withdraw clamping bars (No.4) from rail (Fig.2).
- 3 After determining the correct distance from the ceiling and inside wall (Fig.4) mark holes in brackets (No.2) and fix with screws (No.5) and plugs (No.6).
- 4 Measure between brackets (No.2) and trim rail (No.1) to size with a junior hacksaw.
- 5 Place gliders (No.7) into bottom channel and then clamping bars (No.4) into the ends of both channels (Fig.2).
- 6 Offer rail (No.1) into top of brackets (No.2) and screw into clamping bars (No.4) with self tapping screws (No.3).
- 7 Place end stops* (No.8) into recess at bottom of brackets (No.2) and screw into clamping bar with self tapping screws (No.3) (Fig.2).
- 8 Fix cover strip (No.9) into top channel, cutting to length with a trimming knife (Fig.2).
- 9 Fix curtain to the end stops* (No.8) and gliders (No.7) with the round clips (No.10) (Fig.2).
- 10 Lubricate the gliding channel with the silicon pad provided.
- 11 Enjoy your shower.
*only 1 end stop (No.8) required with 36", 72" and 84" straight rail.

ANGLE RAIL

- 1 Remove rail and fittings from protective sleeve.
- 2 Remove wall brackets (No.2) clamping bars (No.4), screws (No.3) and cover strip (No.9) from rail (No.1) (Fig.3).
- 3 Offer rail (No.1) over bath to determine the size required (Fig.1) and trim to size with junior hacksaw.
- 4 Place brackets (No.2) over ends of rail (No.1) and offer cut size rail over bath making sure rail is correct distance from ceiling (Fig.4) mark around brackets screw and fix with screws (No.5) and plugs (No.6).
- 5 Place gliders (No.7) into bottom channel, hanger bottom (No.11) into top channel and clamping bars (No.4) into both channels (Fig.3).
- 6 Offer rail (No.1) into brackets (No.2) and screw into top clamping bars (No.4) with self tapping screws (No.3).
- 7 Place end stops* (No.8) into recess at bottom of brackets (No.2) and screw into clamping bars (No.4) with self tapping screws (No.3) (Fig.3).
- 8 Measure from top of rail to ceiling (Fig.4) and cut hanger rod $\frac{5}{8}$ " shorter than this measurement.
- 9 Offer hanger rod (No.12) into hanger top (No.13) places in hanger rod bottom (No.11) (Fig.3) slide to correct position (Fig.1) ensuring upright mark around hanger top (No.13) and screw to ceiling.
- 10 Secure hanger in place with self tapping screws (No.14) and (No.15) (Fig.3) making sure you use the longer screw for the hanger top.
- 11 Fix cover strip (No.9) into top channel cutting with a trimming knife around hanger bottom (No.11) (Fig.3).
- 12 Fix curtain to the end stops (No.8) and gliders (No.7) with glider clips (No.10) (Fig.3).
- 13 Lubricate the gliding channel with the silicon pad provided.
- 14 Enjoy your shower.
*only 1 end stop (No.8) required with 36" angle.
***U-Rails as above but with 2 hangers (& positions).**