

Product code: 3114xx/**

Description: Luxury grab rail, straight, stainless steel, concealed fixings

Intended purpose:

This product is intended to aid the independent standing / sitting of a person and to provide the user with extra support while moving from one position to another.

Disclaimer:

NYMAS pursues a continuous improvement strategy in the design and performance of its products and reserves the right to change specifications without prior notice – terms and conditions apply. The information contained in this document is correct at date of issue. Dimensions are provided as a guide only – some variation may occur due to manufacturing tolerances.

NYMAS accepts no liability whatsoever for personal injury or damage to product(s) or property that has been caused by incorrect assembly, installation, or use of this product. Failure to install/use this product in line with the instructions in this manual will invalidate any warranty and may affect product safety.

Safety warnings:



Always read the installation, operation, and maintenance manual. Installation should be carried out by a suitably qualified tradesman using the correct wall fixings for the wall substrate. Familiarise yourself with these warning before beginning any work:

- Due to manufacturing tolerances, pre-drilling fixing holes is not recommended before physically receiving this product.
- Never alter the fixing holes and use all fixing holes provided.
- A thorough check must be carried out upon receipt and any defects reported immediately.
- Opening the packaging without due care and attention could result in damage to the product or injury to yourself/others.
- This product must be stored in a dry place, the correct way up and not stacked under other equipment.
- Ensure that the surface which the product is to be fitted is flat.
- Non-corrosive fixings must be used to fix this product to the surface.
- The installer must thoroughly check the integrity of the assembled and installed product.
- Improper installation/use may cause accidents and injuries.
- This manual should be retained by the end user/property owner for the life of the product.
- The product should not be subjected to impact.
- Do not use the product if it appears damaged.
- If in doubt, carry out your own risk assessment and/or quality check for each installation.
- **Maximum user weight - 100kg**



Product cleaning:



CAUTION improper cleaning can lead to surface damage and injury.

- Clean the product as and when needed.
- Follow the cleaning product manufacturer's advice about contact time, concentration, safety etc.
- Try on an inconspicuous area first.
- Rinse with fresh water immediately after cleaning.
- Do not use any cleaning products with an unknown composition.
- Note the material specific information on suitable/unsuitable cleaning products.

Unsuitable cleaning products:

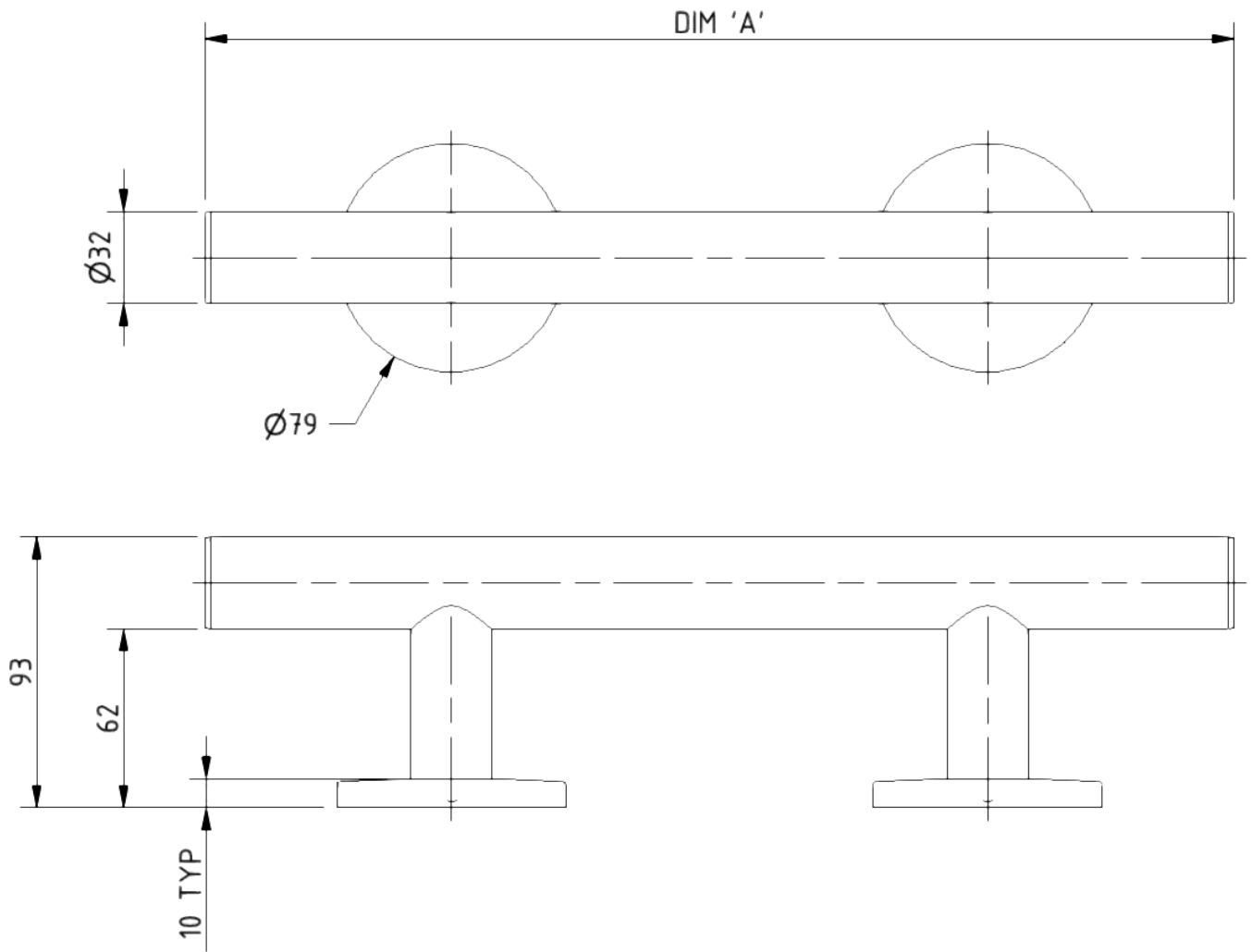
- Abrasive products (e.g., scoured/scouring agents, brushes, steel wool, dirt easers, microfibers).
- Acidic, alkaline, chlorine and solvent based cleaning products.
- Steam cleaners.
- **DO NOT** use cleaning components containing iron (e.g., scour sponge, steel wool).

Disposal:

Dispose of this product and packaging in line with local authority regulations.



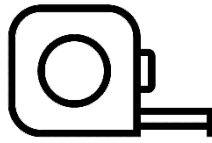
Product dimensions: (mm)



Variant table			
Product code	311435	311448	311462
Dim 'A'	355mm	480mm	620mm



Tools required:



Pre-installation:

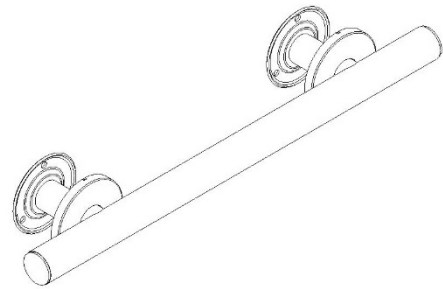


CAUTION, ensure that the safety warnings section of this document has been read.

Installation:

1.

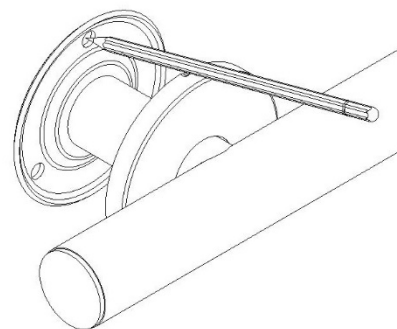
Unclip the flange covers from the flanges to gain access to the grab rail fixing holes.



Take care when moving flange covers to avoid causing damage to grab rail.

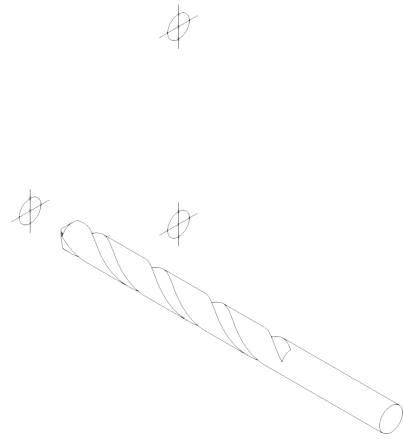
2.

Hold the grab rail in the desired fixing position.
Ensure the grab rail is level using a spirit level.
Mark the 6 fixing locations with a pencil.



3.

Using the fixing locations marked in step 2.
Drill the fixing holes to the depth and diameter recommended by the fixings manufacturer.

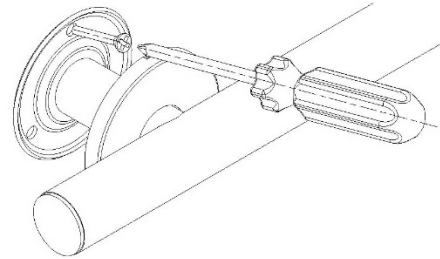


4.

Attach the grab rail in the desired fixing position.



All fixing holes **MUST** be used.
Non-corrosive fixings **MUST** be used.

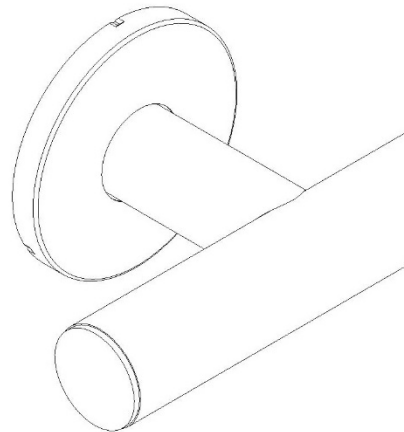


5.

Clip the flange covers back onto the flanges.



Take care when moving flange covers to avoid causing damage to grab rail.



6.

Perform a visual inspection of the grab rail to ensure that it is correctly installed and safe to use.

