

Stainless Steel Grab Rail with Concealed Fixings



Stainless Steel Grab Rail with Concealed Fixings, 300mm	GR-12/32C
Stainless Steel Grab Rail with Concealed Fixings, 450mm	GR-18/32C
Stainless Steel Grab Rail with Concealed Fixings, 600mm	GR-24/32C
Stainless Steel Grab Rail with Concealed Fixings, 900mm	211090

Available colours: POLISHED STAINLESS STEEL (SP), SATIN STAINLESS STEEL (SS)

Congratulations on the purchase of your grab rail. This grab rail has been designed to give users extra support while moving from one position to another and assists with the independent standing and sitting of persons regardless of physical ability.

Warnings:

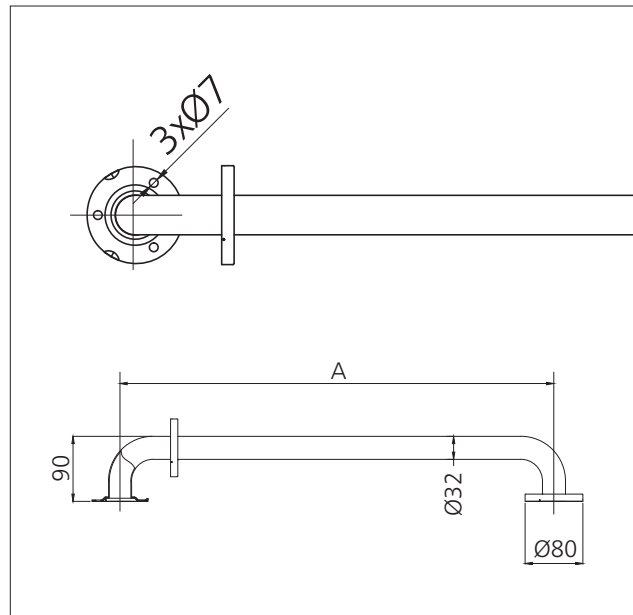
- Due to manufacturing tolerances we do not recommend pre-drilling fixing holes before physically receiving this product.
- On receiving delivery of this product, a thorough check must be carried out and any defects immediately reported. The product must be stored in a dry place and not stacked under other equipment.
- The wall on which the rail is installed must be flat and capable of taking the load.
- Installation must be carried out by a qualified tradesman using suitable fixings for the wall substrate.
- Improper installation/use can cause accidents and injuries.
- Do not use countersunk fixings.
- Do not over-tighten fixings.
- This rail has been tested with a max user weight of 200kg.
- After installation a functional test must be carried out prior to use.
- These instructions should be retained by the user of the product for its whole life.
- Never alter the fixing holes as this could affect the strength and integrity of the product.
- The grab rail should not be subjected to impact.
- The rail is designed to offer support to the user and should not be used in a way that would apply the users' full weight to the rail.
- Do not use the grab rail for any purpose other than that for which it was designed.

Installation and Operating Instructions

Installation:

Installation should be carried out by a suitably qualified tradesman using correct fixing for the wall substrate. No fixings are supplied with this product to allow the correct fixing method to be selected for the specific installation.

1. Once the correct wall fixing has been selected, all 3 fixings should be employed in each end of the rail.
2. Release the flange cover off each end of the rail
3. Offer grab rail up to the required location on the wall with the fixing holes visible and carefully mark the selected hole locations.
4. Drill the holes in the wall of a diameter and depth recommended by supplier of wall fixings.
5. Once screws are installed, clip the flange cover back over the flange.
6. Always carry out a functional test after installation and report any issues immediately
7. Please leave these instructions with the user.



Note: fixings not included

Using this product:

ALWAYS check the grab rail is fitted securely to the wall and shows no signs of wear or damage prior to use. Please keep these instructions in a safe place for future use.

Cleaning and maintenance:

The grab rail must be checked regularly by qualified personnel to ensure that it is in perfect working order. This grab rail can be cleaned using only a very mild detergent. Do not use acidic, alkaline, chlorine based or abrasive cleaning materials.

Disclaimer:

We accept no liability whatsoever for personal injury or damage to property that is or has been caused due to incorrect assembly, installation, or use of this product. Failure to install/use this product in line with these instructions will invalidate any warranty and may affect product safety.

Every effort has been made to ensure as much accuracy as possible. However, due to print restrictions exact colour match is not always possible. Featured products may also be changed from time to time, but are correct at time of print.