



Installation and Operating Instructions

Removable hinged support rail - 32mm diameter



Removable hinged support rail - 800mm

240380

Available colours: WHITE (WH). DARK BLUE (DB). GREY (GY). DARK GREY (DG). STAINLESS STEEL POLISHED (SP). STAINLESS STEEL SATIN (SS).

Congratulations on the purchase of your rail. This rail has been designed to provide users with extra support while moving from one position to another and assists with the independent standing/sitting of persons.

Warnings:

- Always read the installation, operating and maintenance instructions.
- Due to manufacturing tolerances we do not recommend pre-drilling fixing holes before physically receiving this product.
- A thorough check must be carried out on receiving delivery of this product and report any defects immediately.
- Opening the packaging without due care and attention could result in damage to the product or injury to yourself or others.
- This product must be stored in a dry place, the right way up and not stacked under other equipment on site.
- The wall on which the rail is installed must be flat and capable of taking the load.
- Installation must be carried out by a qualified tradesman using suitable fixings for the wall substrate.
- Never alter the fixing holes as this could affect the strength and integrity of the rail.
- Improper installation / use can cause accidents and injuries.
- Beware after installation a functional test must be carried out prior to use
- These instructions should be retained by the user of the product for its whole life time.
- Do not use the rail for any purpose other than that for which it was designed.
- Do not use the rail if damaged / not securely fixed as this may cause injury.
- Keep plastic bag packaging away from children.
- The rail should not be subjected to impact or downward force.
- To maintain the integrity and functionality of this product, regular cleaning and inspection is necessary.
- If in doubt, carry out your own risk assessment for each installation.
- Max rated load - 135kg.



Installation and Operating Instructions

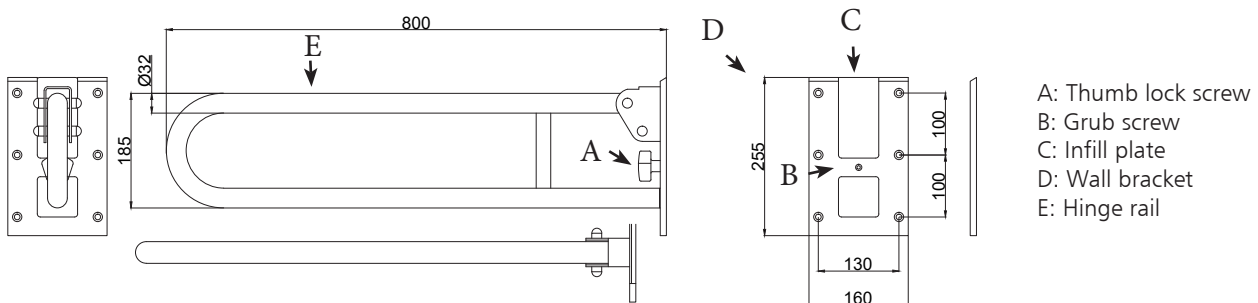
Installation:

Installation should be carried out by a suitably qualified tradesman using correct fixings for the wall substrate. Fixings are not supplied with this product to allow the correct fixing method to be selected per installation. Consult a fixing manufacturer if unsure of which type of fixings to use.

1. Once the correct wall fixings have been selected, 6x9mm fixings should be employed per flange
2. Offer the rail up to the wall at the position required
3. Mark the fixing hole locations.
4. Drill the holes in the wall of a diameter and depth recommended by supplier of wall fixings.
5. Once each flange is fixed, clip the flange covers back onto the flanges.
6. Always carry out a functional test after installation and report any issues immediately.
7. Please leave these instructions with the user.

Using this product:

Always check this rail is fitted securely to the wall and shows no signs of wear or damage prior to use. Please keep these instructions in a safe place for future use. These instructions are available in braille if required.



1. Unscrew Grub screw (B) from the Wall bracket (D)
2. Pull infill plate (C) up and out of the Wall bracket (D)
3. Slot the Hinge rail (E) into the Wall bracket (D)
4. Screw the Thumb lock screw (A) into (C) to secure the rail
5. Lock the hinge rail (A) with red key and take key away
6. To detach the rail, reverse this process

Cleaning and maintenance:

This rail must be checked regularly by a qualified personnel to ensure that it is in perfect working order. This rail can be cleaned using only a very mild detergent. Do not use acidic, alkaline, chlorine based or abrasive cleaning materials.

Packaging:

This post is supplied in plastic wrapping and cardboard carton to keep the product unsoiled until installation. Both are suitable for recycling operations and should be disposed of in accordance with local recycling regulations.

Warranty:

The standard of manufacture and quality control allows Nymas to offer warranties on all products. The W symbol denotes the number of years covered if different to the standard 1 year warranty. Where L appears this means the product is guaranteed for life (terms and conditions apply).

Disclaimer:

Nymas pursues a policy of continuing improvement in design and performance of its products and so reserves the right to change specifications without prior notice. The information contained on this document was correct at date of issue and dimensions are provided as a guide only. Some variation may occur due to manufacturing tolerances.

We accept no liability whatsoever for personal injury or damage to property that is or has been caused due to incorrect assembly, installation, or use of this product. Failure to install / use this product in line with these instructions will invalidate any warranty and may affect product safety.