

Product code: 211000/**

Description: Removable toilet roll holder for stainless hinged rails

Intended purpose:

This product is intended to provide a suitable place to store a toilet roll when used in conjunction with a NYMAS stainless steel hinged rail.

Disclaimer:

NYMAS pursues a continuous improvement strategy in the design and performance of its products and reserves the right to change specifications without prior notice – terms and conditions apply. The information contained in this document is correct at date of issue. Dimensions are provided as a guide only – some variation may occur due to manufacturing tolerances.

NYMAS accepts no liability whatsoever for personal injury or damage to product(s) or property that has been caused by incorrect assembly, installation, or use of this product. Failure to install/use this product in line with the instructions in this manual will invalidate any warranty and may affect product safety.

Safety warnings:



Always read the installation, operation, and maintenance manual. Familiarise yourself with these warning before beginning any work:

- A thorough check must be carried out upon receipt and any defects reported immediately.
- Opening the packaging without due care and attention could result in damage to the product or injury to yourself/others.
- This product must be stored in a dry place, the correct way up and not stacked under other equipment.
- The installer must thoroughly check the integrity of the assembled and installed product.
- Improper installation/use may cause accidents and injuries.
- This manual should be retained by the end user/property owner for the life of the product.
- The product should not be subjected to impact.
- Do not use the product if it appears damaged.
- If in doubt, carry out your own risk assessment and/or quality check for each installation.



Product cleaning:



CAUTION improper cleaning can lead to surface damage and injury.

- Clean the product as and when needed.
- Follow the cleaning product manufacturer's advice about contact time, concentration, safety etc.
- Try on an inconspicuous area first.
- Rinse with fresh water immediately after cleaning.
- Do not use any cleaning products with an unknown composition.
- Note the material specific information on suitable/unsuitable cleaning products.

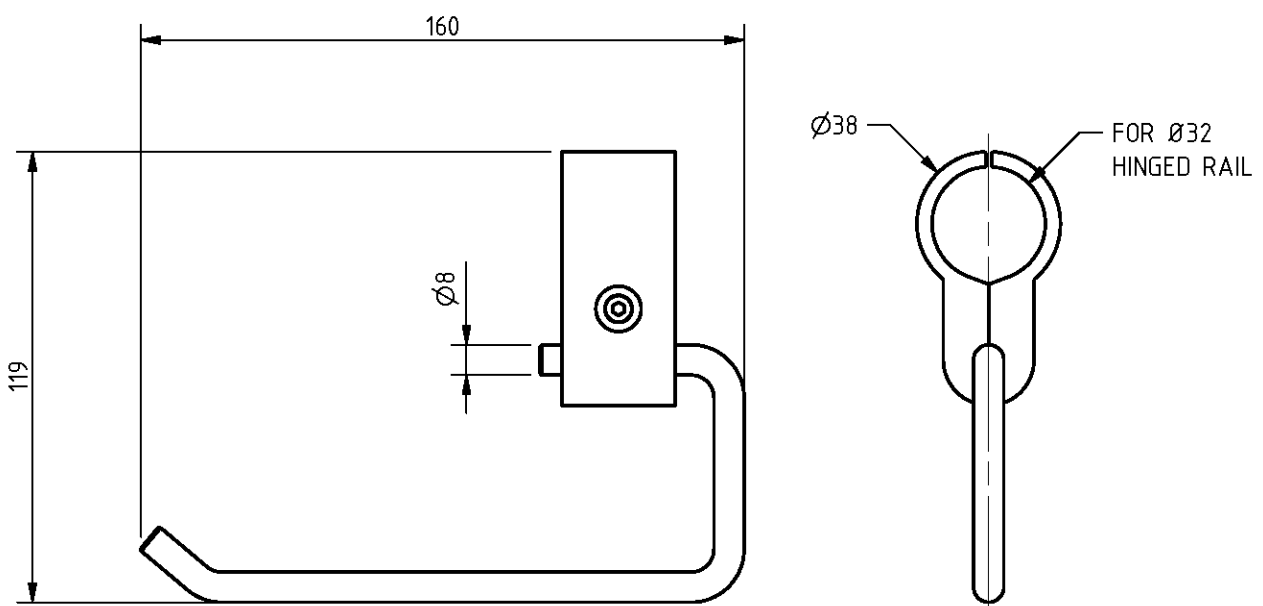
Unsuitable cleaning products:

- Abrasive products (e.g., scoured/scouring agents, brushes, steel wool, dirt easers, microfibers).
- Acidic, alkaline, chlorine and solvent based cleaning products.
- Steam cleaners.
- **DO NOT** use cleaning components containing iron (e.g., scour sponge, steel wool).

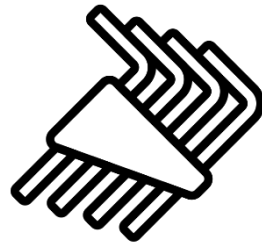
Disposal:

Dispose of this product and packaging in line with local authority regulations.

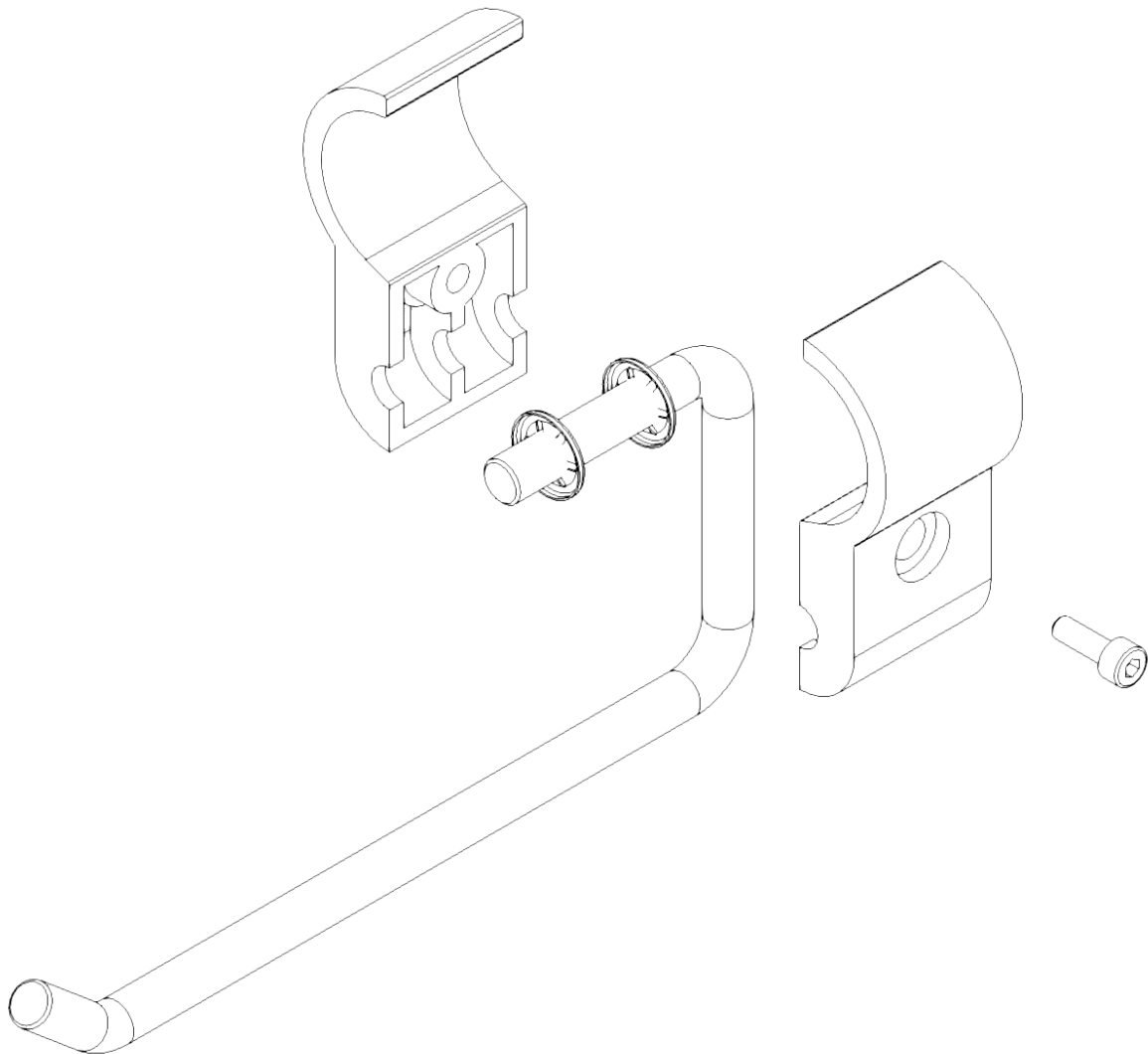
Product dimensions: (mm)



Tools required:



Exploded view:



Pre-installation:

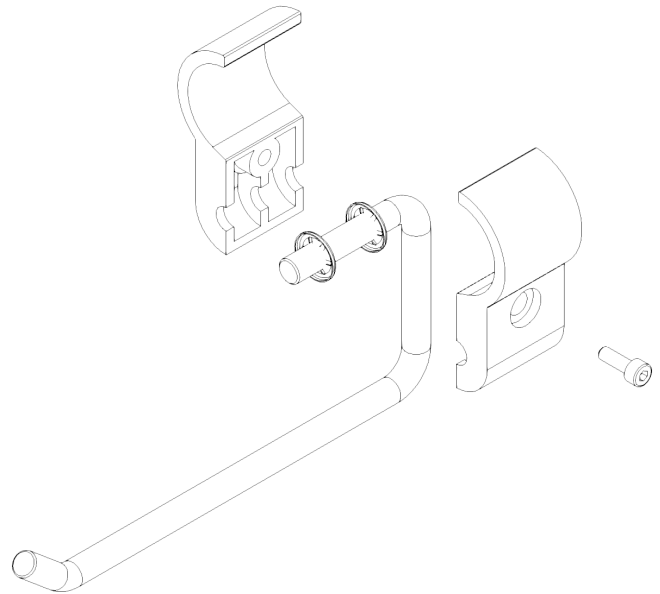


CAUTION, ensure that the safety warnings section of this document has been read.

Installation:

1.

Unscrew the fixing bolt using a size 3 hex key.
Separate the clamps from the bar.

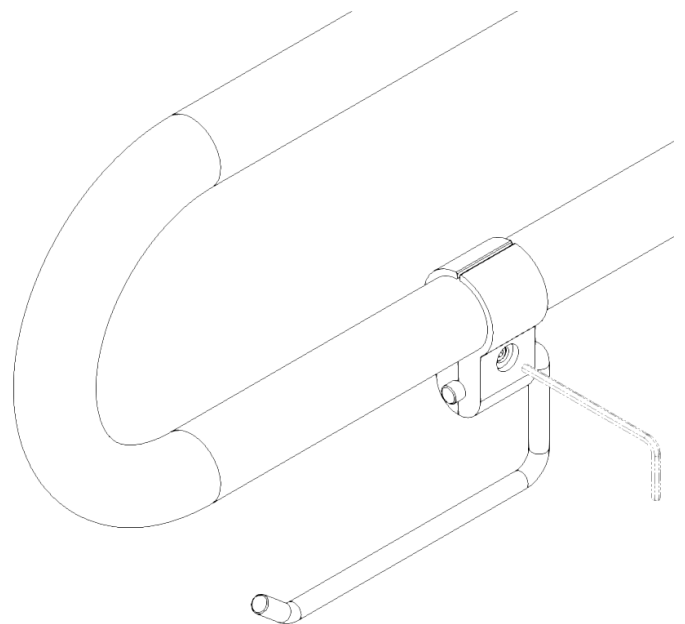


2.

Place the clamps around the hinged rail so the toilet roll holder is in the desired position.

Ensure that the bar is securely located between the clamps and is facing the correct way.

Using a size 3 hex key, tighten the fixing bolt until the toilet roll holder is securely in position.



3.

Perform a visual inspection of the toilet roll holder to ensure that it is correctly installed and safe to use.

