

Premium wall mounted shower seat with legs



Product details

Warranty:	5 years
Max rated load:	250 kg
Doc M compliant:	No
Suitable for wet areas:	Yes

Features

- Aluminium and stainless frame construction
- Durable clip on plastic seat
- Legs can be adjusted with E-clip in 25mm increments as well as fine adjustment
- Adjustable height
- Drainage holes for easy-drain
- Closed cell polyurethane construction pad option available for maximum hygiene and comfort
- Foldable design

Finish options

WH

White
RAL 9016

DB

Dark blue
RAL 5011

GY

Grey
RAL 7005

Product description

Premium wall mounted shower seat, legs, white
Premium wall mounted shower seat, legs, padded, dark blue
Premium wall mounted shower seat, legs, padded, grey

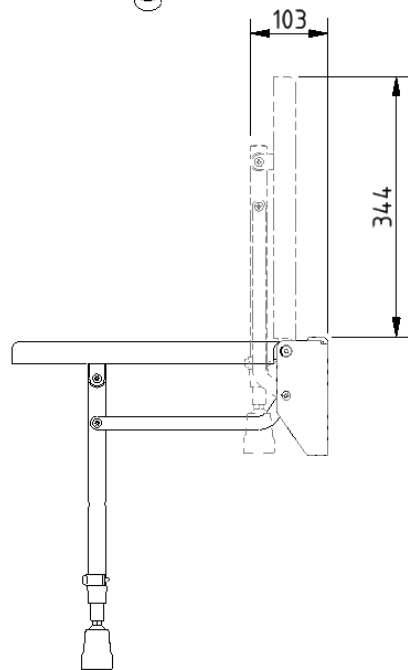
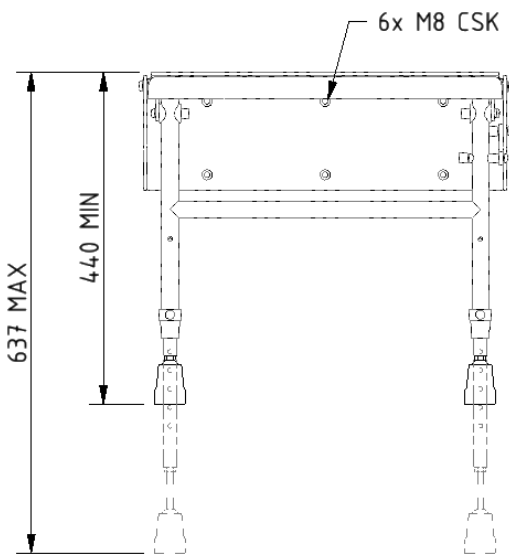
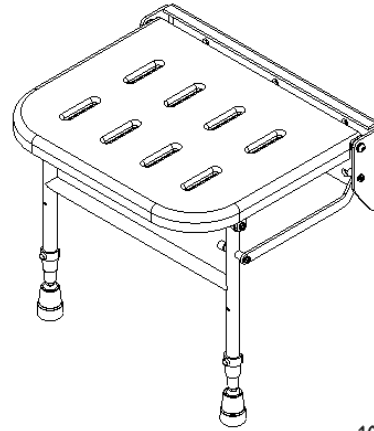
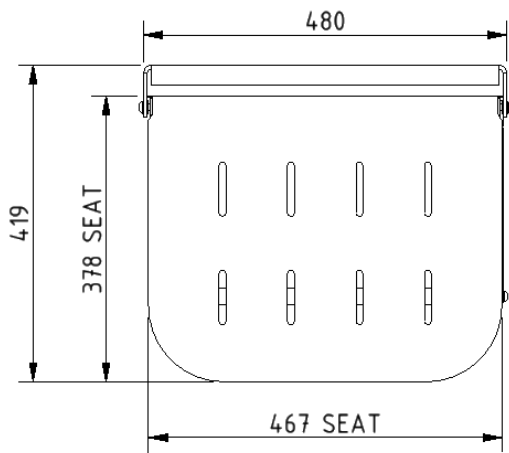
Product code

SB-070/WH
SB-080/DB
SB-080/GY

Disclaimer

NYMAS Group makes every effort to ensure that the information provided on this data sheet is correct. However, we cannot guarantee this, and accept no liability for any information or advice given on this data sheet.

Dimensions (mm)



Note: Pad for SB-080/** is 20mm thick.